

AXIS D2050-VE Network Radar Detector

User Manual

AXIS D2050-VE Network Radar Detector

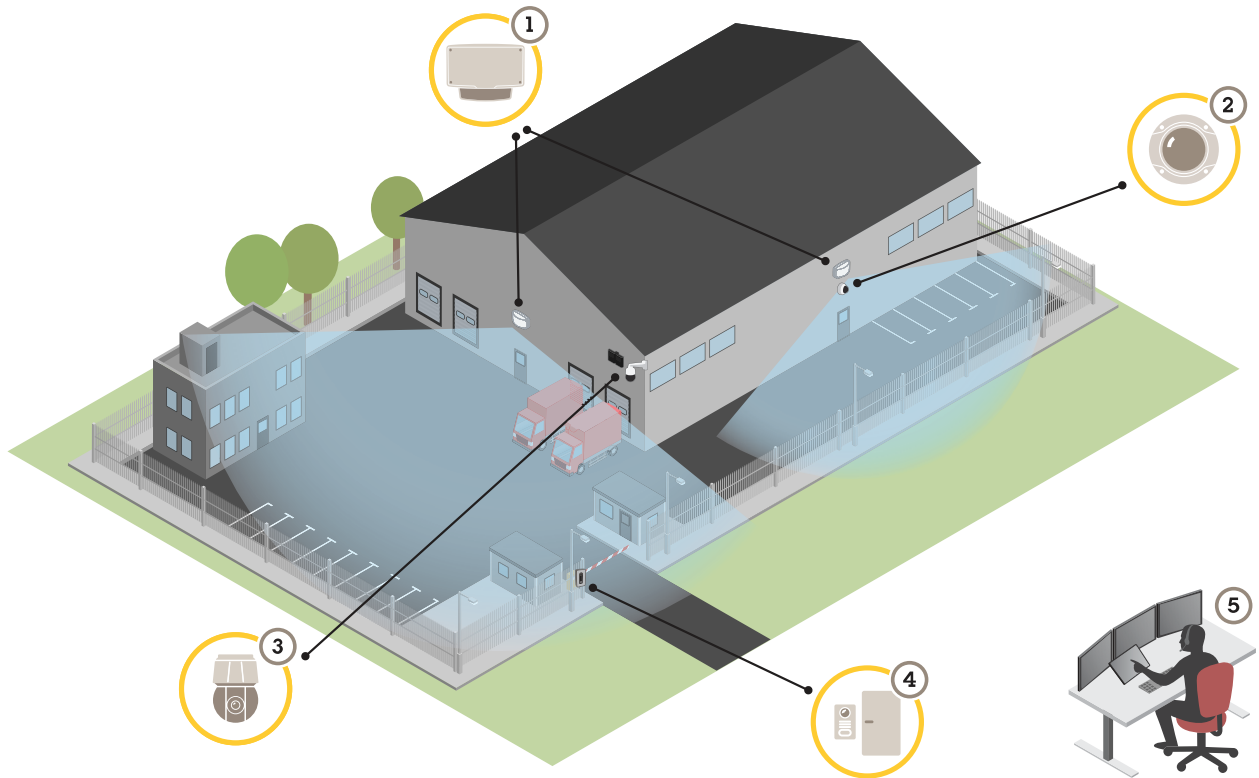
Table of Contents

Solution overview	3
Product overview	4
Where to install the product	4
Mounting direction	5
Mounting height	5
Mounting tilt	6
Find the device on the network	7
Access the device	7
About secure passwords	7
Setup	8
Need more help?	8
Configure the detector	8
How to configure the detector	9
How to install multiple detectors	9
Rules and alerts	9
How to record video from a camera when motion is detected	10
How to record radar data when motion is detected	10
How to turn on a light when motion is detected	11
How to control a PTZ camera with the detector	11
About detection zones	11
How to minimize false alarms	12
Troubleshooting	14
Reset to factory default settings	14
Check the current firmware	14
Upgrade the firmware	14
Technical issues, clues and solutions	15
Performance considerations	15
Specifications	16
SD card slot	16
Buttons	16
Connectors	16
Operating conditions	18
Power consumption	18

AXIS D2050-VE Network Radar Detector

Solution overview

Solution overview

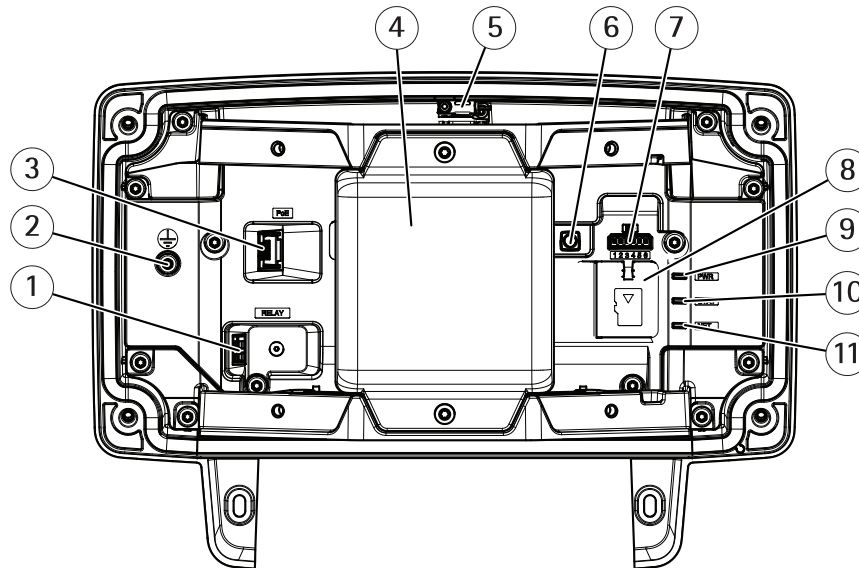


- 1 *AXIS D2050-VE*
- 2 *Fixed dome camera*
- 3 *PTZ camera and illuminator*
- 4 *Door controller*
- 5 *Surveillance center*

AXIS D2050-VE Network Radar Detector

Product overview

Product overview



- 1 Relay connector
- 2 Grounding screw
- 3 Network connector
- 4 Radar module
- 5 Intrusion alarm switch
- 6 Control button
- 7 I/O connector
- 8 microSD card slot
- 9 Power LED
- 10 Status LED
- 11 Network LED

Where to install the product

The detector is intended for monitoring open areas. Any solid object (such as a tree or a bush) in the coverage area will create a blind spot (radar shadow) behind it.

Install the detector on a pole, or on a spot on a wall where there are no other objects or installations close to it.

To be able to correctly identify movement in the coverage area, the detector needs to be installed on a stable mount. Do not install the detector on a swaying pole.

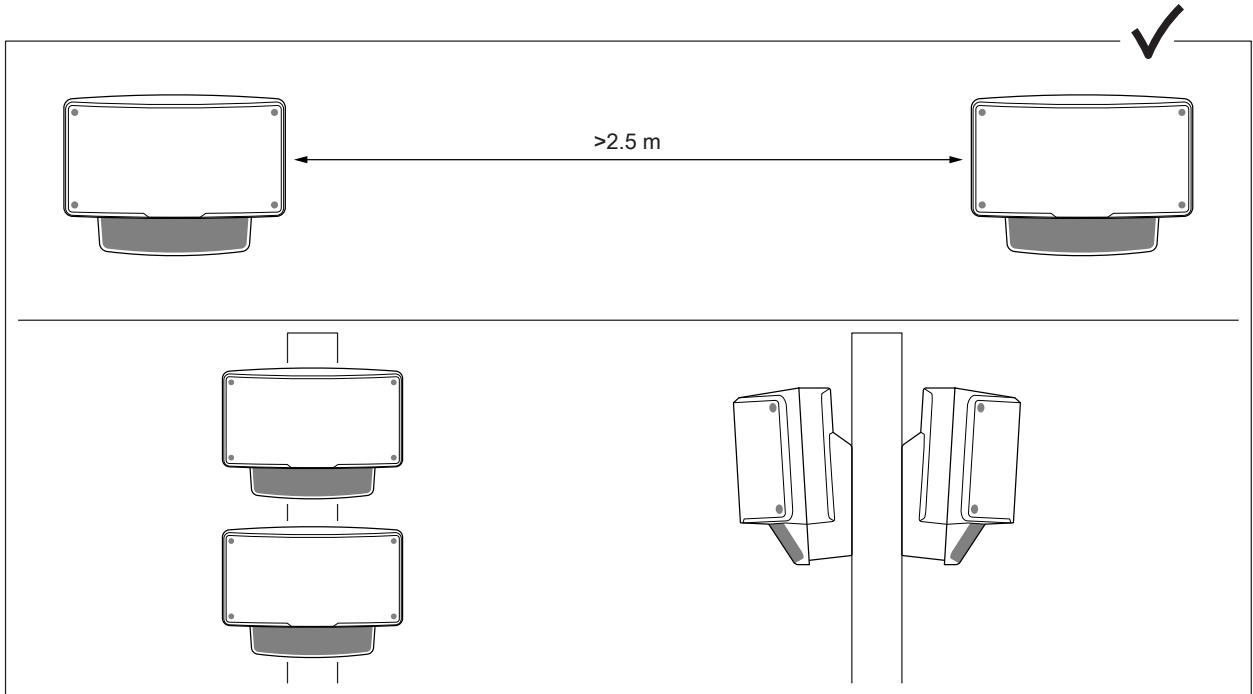
If two radar detectors are mounted close together they may interfere with each other. To avoid interference you can select different channels for the detectors. To configure different channels, see *How to install multiple detectors* on page 9.

To avoid interference between radar detectors that are mounted side by side, the distance between the units should be at least 2.5 meters. If two detectors are side by side but angled away from each other, for instance when mounted on a pole, then there might not be any interference even if they are closer than 2.5 meters from

AXIS D2050-VE Network Radar Detector

Product overview

each other. Detectors that are mounted one above the other do not cause interference, no matter the distance.



At the recommended mounting height, the near detection limit is 4.5 m (15 ft).

If there are a lot of metal objects in the field of view there will be a lot of reflections impacting the performance.

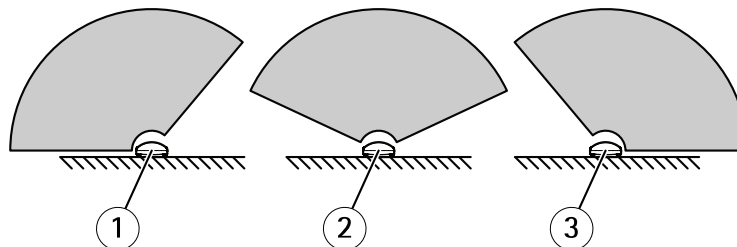
Note

Do not repaint the detector. The paint may seriously impact the detector's performance.

Mounting direction

The detector covers an angle of $\pm 60^\circ$ from its central axis. This means that if you mount it on a wall there is a blind spot to each side of the detector.

To cover the wall you can move the radar module inside the detector.



- 1 -25° mounting direction
- 2 0° mounting direction
- 3 25° mounting direction

Mounting height

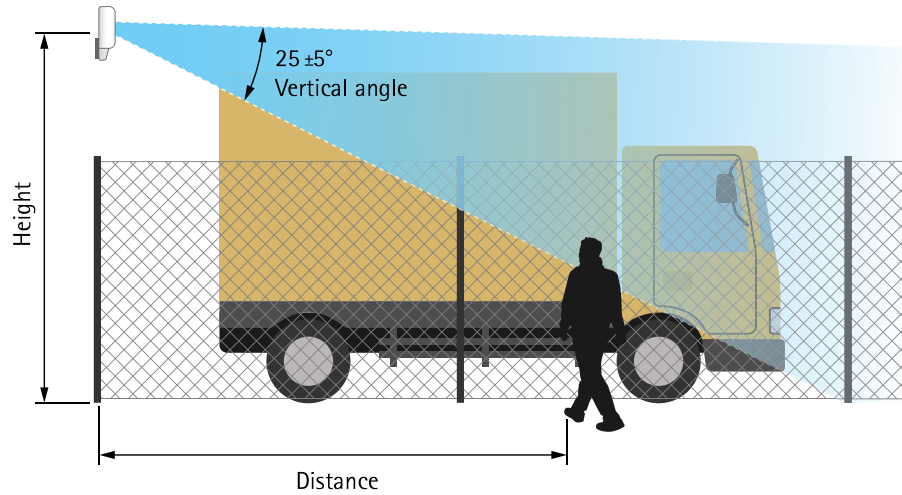
For optimal performance, install the detector 3.5 m (11 ft) above ground.

AXIS D2050-VE Network Radar Detector

Product overview

Note

If you install the detector at a different height, enter the actual mounting height in the product's web pages before calibrating the radar.



The following table shows the detection range at different mounting heights when detecting a 1.8 m (6 ft) tall person walking.

Mounting height	3.5 m (11 ft)	4 m (13 ft)	4.5 m (15 ft)	5 m (16 ft)
Near detection limit	4.5 m (15 ft)	6 m (20 ft)	7 m (23 ft)	8.5 m (28 ft)
Far detection limit (max. values)	49 m (161 ft)	51 m (167 ft)	51 m (167 ft)	52 m (171 ft)

Mounting tilt

The detector is designed to be mounted 3.5 m above ground. When the detector is mounted higher up the near detection limit is impaired.

To improve the near detection limit, tilt the detector downwards with AXIS T91R61 Wall Mount.

The table shows the detection range for a human entering in the middle of the detection zone.

	Height: 3 m	Height: 4 m	Height: 5 m	Height: 6 m	Height: 7 m	Height: 8 m
Tilt: 0°	TBD	7.5–44.5 m	9–48.5 m	13.5–47 m	17–44 m	20.5–43 m
Tilt: -10°	3.5–36 m	5–33.5 m	6.5–40.5 m	8.5–38 m	11–46 m	13.5–47.5 m
Tilt: -20°	TBD	TBD	5–26 m	6.5–28 m	TBD	8–31 m

AXIS D2050-VE Network Radar Detector

Find the device on the network

Find the device on the network

To find Axis devices on the network and assign them IP addresses in Windows®, use AXIS IP Utility or AXIS Device Manager. Both applications are free and can be downloaded from axis.com/support

For more information about how to find and assign IP addresses, see the document *How to assign an IP address and access your device on the device page* at axis.com

Access the device

1. Open a browser and enter the IP address or host name of the Axis device.

If you have a Mac computer (OS X), go to Safari, click on Bonjour and select the device from the drop-down list. To add Bonjour as a browser bookmark, go to **Safari > Preferences**.

If you do not know the IP address, use AXIS IP Utility or AXIS Device Manager to find the device on the network.
2. Enter the username and password. If you access the device for the first time, you must set the root password. See *Set a secure password for the root account on page 7*.
3. The live view page opens in your browser.

About secure passwords

Important

Axis devices send the initially set password in clear text over the network. To protect your device after the first login, set up a secure and encrypted HTTPS connection and then change the password.

The device password is the primary protection for your data and services. Axis devices do not impose a password policy as they may be used in various types of installations.

To protect your data we strongly recommend that you:

- Use a password with at least 8 characters, preferably created by a password generator.
- Don't expose the password.
- Change the password at a recurring interval, at least once a year.

Set a secure password for the root account

Important

The default administrator username is **root**. If the password for root is lost, reset the device to factory default settings.

1. Type a password. Follow the instructions about secure passwords. See *About secure passwords on page 7*.
2. Retype the password to confirm the spelling.
3. Click **Create login**. The password has now been configured.

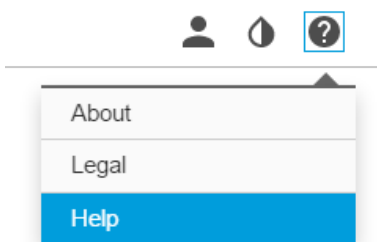
AXIS D2050-VE Network Radar Detector

Setup

Setup

Need more help?

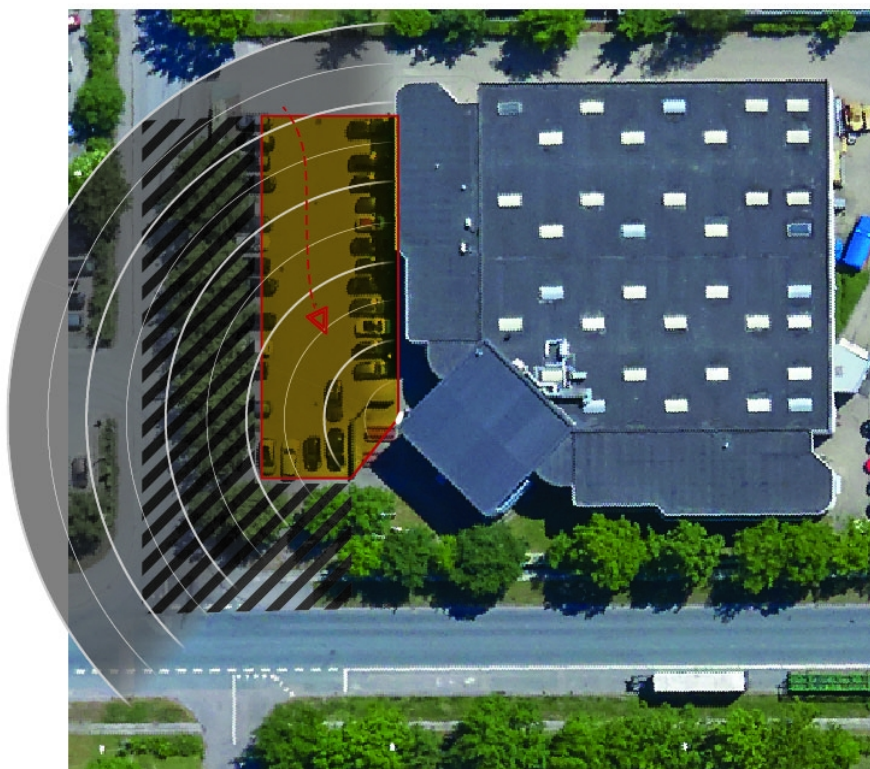
You can access the built-in help from the device's webpage. The help provides more detailed information on the device's features and their settings.



Configure the detector

The detector is ready to use as soon as it is installed. The default live view will show the radar coverage and any detected movement, and you can add detection zones and rules right away.

To make it easier to see where objects are moving, you can upload a reference map, for example a ground plan or an aerial photo, that shows the area covered by the radar detector.



AXIS D2050-VE Network Radar Detector

Setup

Image requirements:

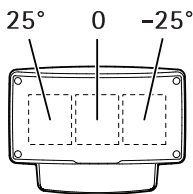
- Supported file formats are jpeg and png.
- Use an image with the same proportions (16:9) or resolution (1920x1080) as the live view. If the image is smaller it will be scaled to fit the window. If the proportions are wrong, the image will not fill the entire video stream.
- Crop the image to fit the coverage of the radar as closely as possible before uploading it.
- The orientation is not important, since the radar coverage shape will be moved to adapt to the image during calibration.

After uploading the reference map you need to calibrate the radar so that the actual radar coverage fits the position, direction and scale of the reference map.

There are two methods for calibrating the reference map:

- **Calibration using pins:** The calibration is performed in the web interface by dropping pins in know locations in the reference map and setting the distance between the pins.

When calibrating using pins, you need to select the mounting position of the radar module inside the detector.



- **Calibration using tracks:** The calibration method requires a person to move in front of the radar.

You can do this yourself while accessing the web interface from a mobile device, or have someone else move and follow your instructions.

When moving around in the different steps, move to places that are easy to find in the reference map.

How to configure the detector

1. To upload a reference map, go to **Settings > Radar > Reference map**. Select **Browse** to find an image file, and select **Upload** to place the image in the live view.
2. To calibrate the reference map, go to **Settings > Radar > Reference map calibration**. Select **Start calibration** and follow the instructions.

How to install multiple detectors

If two radar detectors are mounted close together they may interfere with each other. To avoid problems, select different channels for the detectors.

1. Go to **Settings > Radar > General** and select **Channel**.

Rules and alerts

You can create rules to make your device perform an action when certain events occur. A rule consists of conditions and actions. The conditions can be used to trigger the actions. For example, the device can start a recording or send an email when it detects motion, or show an overlay text when it records.

AXIS D2050-VE Network Radar Detector

Setup

How to record video from a camera when motion is detected

This example explains how to set up the detector and a camera so that the camera starts recording to the SD card five seconds before the detector detects motion and to stop one minute after.

Connect the devices:

1. Connect a cable from an I/O output on the detector to an I/O input on the camera.

Configure the I/O port of the detector:

2. Go to **Settings > System > I/O ports** and configure the I/O port as an output and select the normal state.

Create a rule in the detector:

3. Go to **Settings > System > Events** and add a rule.
4. Type a name for the rule.
5. From the list of conditions, select an include zone under **Radar motion**. To set up an include zone, see *Add an include zone on page 12*
6. From the list of actions, select **Toggle I/O while the rule is active** and then select the port that is connected to the camera.
7. Click **Save**.

Configure the I/O port of the camera:

8. Go to **Settings > System > I/O ports** and configure the I/O port as an input and select the normal state.

Create a rule in the camera:

9. Go to **Settings > System > Events** and add a rule.
10. Type a name for the rule.
11. From the list of conditions, select **Digital Input** and then select the port that should trigger the rule.
12. From the list of actions, select **Record video**.
13. Select an existing stream profile or create a new one.
14. Set the prebuffer to 5 seconds.
15. Set the postbuffer to 60 seconds.
16. Select **SD card** from the list of storage options.
17. Click **Save**.

How to record radar data when motion is detected

This example explains how to set up the detector to start recording to the SD card five seconds before it detects motion and to stop one minute after.

The recording will show the reference map with the trail of the moving object.

Create a rule:

1. Go to **Settings > System > Events** and add a rule.
2. Type a name for the rule.
3. From the list of conditions, select an include zone under **Radar motion**. To set up an include zone, see *Add an include zone on page 12*

AXIS D2050-VE Network Radar Detector

Setup

4. From the list of actions, select **Record video**.
5. Set the prebuffer to 5 seconds.
6. Set the postbuffer to 60 seconds.
7. Select **SD card** from the list of storage options.
8. Click **Save**.

How to turn on a light when motion is detected

Turning on a light when an intruder enters the detection zone can have a deterring effect, and will also improve the image quality of a visual camera recording the intrusion.

This example explains how to set up the detector and an illuminator so that the illuminator turns on when the detector detects motion and turns off after one minute.

Connect the devices:

1. Connect one of the illuminator cables to the power supply via the relay port on the detector. Connect the other cable directly between the power supply and the illuminator.

Configure the relay port of the detector:

2. Go to **Settings > System > I/O ports** and select **Open circuit** as the normal state.

Create a rule in the detector:

3. Go to **Settings > System > Events** and add a rule.
4. Type a name for the rule.
5. From the list of triggers, select an include zone under **Radar motion**. To set up an include zone, see *Add an include zone on page 12*
6. From the list of conditions, select **Toggle I/O once** and then select the relay port.
7. Select **Active**.
8. Set the **Duration**.
9. Click **Save**.

How to control a PTZ camera with the detector

It is possible to use the information about objects' positions from the detector to make a PTZ camera track objects.

To do this, install the application **AXIS Radar Autotracking for PTZ** on your VMS server (or another computer with access to both the camera and the detector), and follow the instructions in the application.

To download **AXIS Radar Autotracking for PTZ**, go to axis.com

About detection zones

To determine where to detect motion, you can add multiple zones. Different zones can be used to trigger different actions.

There are two types of zones:


- An **include zone** is an area in which moving objects will trigger rules. The default include zone matches the entire area covered by the detector.

AXIS D2050-VE Network Radar Detector

Setup

- An exclude zone is an area in which moving objects will be ignored. Use exclude zones if there are areas inside an include zone that trigger a lot of unwanted alarms.

Add an include zone

1. Go to **Settings > RMD zones** and click **+**
2. Select **Include zone**.
3. Select  to modify the settings of the zone. For more information, see the product's built in help.
4. Modify the shape of the include zone, see *Modify a detection zone on page 12*

Add an exclude zone

1. Go to **Settings > RMD zones** and click **+**
2. Select **Exclude zone**.
3. Modify the shape of the exclude zone, see *Modify a detection zone on page 12*

Modify a detection zone

Use the mouse to move and shape the zone so that it covers the desired part of the reference map.

- To add a new corner, click on the zone border. Drag the corner to the desired position.
- To remove a corner, right-click on the corner.
- To move a corner, click and drag the corner to the new position.
- To move the zone, place the pointer inside the zone and drag the zone to the new position.

How to minimize false alarms

If you notice that you get too many false alarms, you can filter out certain types of movement or objects, or change the coverage. Test which setting works best for your environment.

- **Modify the include and exclude zones:**

If the include zone includes hard surfaces, such as a metal wall, there may be reflections that causes multiple detections for a single physical object. In this case, modify the include zone, see *Modify a detection zone on page 12*, or add an exclude zone that masks everything behind the surface, see *Add an exclude zone on page 12*
- **Filter on movement:**

Go to **Settings > Radar > Detection** and select **Ignore swaying objects**. This setting will minimize false alarms from trees, bushes, and flagpoles in the coverage zone.
- **Filter on time:**

Go to **Settings > RMD zones** and select a zone to modify it's settings.

Enable **Short-lived object** and set a delay time from when the radar starts tracking an object until it can trigger and alarm. The timer starts when the radar first detects the object, not when the object enters the include zone.
- **Filter on object type:**

The detector will classify objects depending on the radar echo that they produce. If it can't determine the object type, the object will be classified as **Unidentified**.

AXIS D2050-VE Network Radar Detector

Setup

Go to **Settings > RMD zones** and select a zone to modify its settings.

To avoid triggering on specific object types, enable the filter and deselect the object types that should not trigger events in this zone.

AXIS D2050-VE Network Radar Detector

Troubleshooting

Troubleshooting

If you can't find what you're looking for here, try the troubleshooting section at axis.com/support

Reset to factory default settings

Important

Reset to factory default should be used with caution. A reset to factory default resets all settings, including the IP address, to the factory default values.

To reset the product to the factory default settings:

1. Disconnect power from the product.
2. Press and hold the control button while reconnecting power. See *Product overview on page 4*.
3. Keep the control button pressed for 15–30 seconds until the status LED indicator flashes amber.
4. Release the control button. The process is complete when the status LED indicator turns green. The product has been reset to the factory default settings. If no DHCP server is available on the network, the default IP address is 192.168.0.90
5. Use the installation and management software tools to assign an IP address, set the password, and access the video stream.


The installation and management software tools are available from the support pages on axis.com/support

It is also possible to reset parameters to factory default through the web interface. Go to **Settings > System > Maintenance** and click **Default**.

Check the current firmware

Firmware is the software that determines the functionality of network devices. One of your first actions when troubleshooting a problem should be to check the current firmware version. The latest version may contain a correction that fixes your particular problem.

To check the current firmware:

1. Go to the product's webpage.
2. Click on the help menu. 
3. Click **About**.

Upgrade the firmware

Important

Preconfigured and customized settings are saved when the firmware is upgraded (provided that the features are available in the new firmware) although this is not guaranteed by Axis Communications AB.

Important

Make sure the product remains connected to the power source throughout the upgrade process.

Note

When you upgrade the product with the latest firmware in the active track, the product receives the latest functionality available. Always read the upgrade instructions and release notes available with each new release before upgrading the firmware. To find the latest firmware and the release notes, go to axis.com/support/firmware

AXIS D2050-VE Network Radar Detector

Troubleshooting

1. Download the firmware file to your computer, available free of charge at axis.com/support/firmware
2. Log in to the product as an administrator.
3. Go to **Settings > System > Maintenance**. Follow the instructions on the page. When the upgrade has finished, the product restarts automatically.

Technical issues, clues and solutions

If you can't find what you're looking for here, try the troubleshooting section at axis.com/support

Problems upgrading the firmware

Firmware upgrade failure If the firmware upgrade fails, the device reloads the previous firmware. The most common reason is that the wrong firmware file has been uploaded. Check that the name of the firmware file corresponds to your device and try again.

Problems setting the IP address

The device is located on a different subnet If the IP address intended for the device and the IP address of the computer used to access the device are located on different subnets, you cannot set the IP address. Contact your network administrator to obtain an IP address.

The IP address is being used by another device Disconnect the Axis device from the network. Run the ping command (in a Command/DOS window, type `ping` and the IP address of the device):

- If you receive: `Reply from <IP address>: bytes=32; time=10...` this means that the IP address may already be in use by another device on the network. Obtain a new IP address from the network administrator and reinstall the device.
- If you receive: `Request timed out`, this means that the IP address is available for use with the Axis device. Check all cabling and reinstall the device.

Possible IP address conflict with another device on the same subnet The static IP address in the Axis device is used before the DHCP server sets a dynamic address. This means that if the same default static IP address is also used by another device, there may be problems accessing the device.

The device cannot be accessed from a browser

Cannot log in When HTTPS is enabled, ensure that the correct protocol (HTTP or HTTPS) is used when attempting to log in. You may need to manually type `http` or `https` in the browser's address field.

If the password for the user `root` is lost, the device must be reset to the factory default settings. See *Reset to factory default settings on page 14*.

The IP address has been changed by DHCP

The device is accessible locally but not externally

To access the device externally, we recommend using one of the following applications for Windows®:

- AXIS Companion: free of charge, ideal for small systems with basic surveillance needs.
- AXIS Camera Station: 30-day trial version free of charge, ideal for small to mid-size systems.

For instructions and download, go to axis.com/products/axis-companion

Performance considerations

The following factors are the most important to consider:

- Heavy network utilization due to poor infrastructure affects the bandwidth.

AXIS D2050-VE Network Radar Detector

Specifications

Specifications

To find the latest version of the product's datasheet, go to the product page at axis.com and locate **Support & Documentation**.

LED Indicators

Status LED	Indication
Green	Steady green for normal operation.
Amber	Steady during startup. Flashes when restoring settings.

Network LED	Indication
Green	Steady for connection to a 100 Mbit/s network. Flashes for network activity.
Amber	Steady for connection to a 10 Mbit/s network. Flashes for network activity.
Unlit	No network connection.

Power LED	Indication
Green	Normal operation.
Amber	Flashes green/amber during firmware upgrade.

SD card slot

For SD card recommendations, see axis.com



microSD, microSDHC, and microSDXC Logos are trademarks of SD-3C LLC. microSD, microSDHC, microSDXC are trademarks or registered trademarks of SD-3C, LLC in the United States, other countries or both.

Buttons

Control button

For location of the control button, see *Product overview on page 4*.

The control button is used for:

- Resetting the product to factory default settings. See *page 14*.
- Connecting to an AXIS Video Hosting System service. See . To connect, press and hold the button for about 3 seconds until the Status LED flashes green.

Connectors

Network connector

RJ45 Ethernet connector with Power over Ethernet Plus (PoE+).

I/O connector

Use the I/O connector with external devices in combination with, for example, motion detection, event triggering, and alarm notifications. In addition to the 0 V DC reference point and power (DC output), the I/O connector provides the interface to:

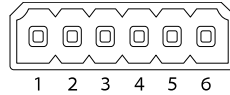
AXIS D2050-VE Network Radar Detector

Specifications

Digital input – For connecting devices that can toggle between an open and closed circuit, for example PIR sensors, door/window contacts, and glass break detectors.

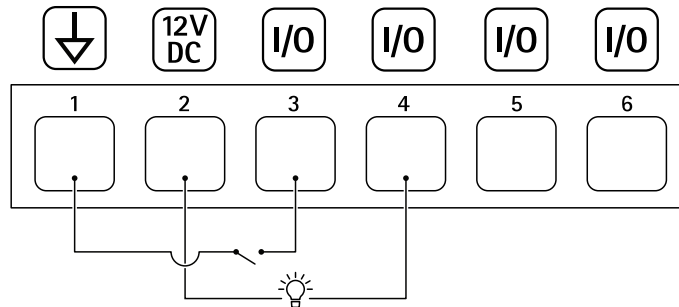
Digital output – For connecting external devices such as relays and LEDs. Connected devices can be activated by the VAPIX® Application Programming Interface or from the product's webpage.

6-pin terminal block



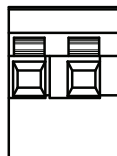
Function	Pin	Notes	Specifications
DC ground	1		0 V DC
DC output	2	Can be used to power auxiliary equipment. Note: This pin can only be used as power out.	12 V DC Max load = 50 mA
Configurable (Input or Output)	3-6	Digital input – Connect to pin 1 to activate, or leave floating (unconnected) to deactivate.	0 to max 30 V DC
		Digital output – Internally connected to pin 1 (DC ground) when active, and floating (unconnected) when inactive. If used with an inductive load, e.g., a relay, connect a diode in parallel with the load, to protect against voltage transients.	0 to max 30 V DC, open drain, 100 mA

Example



- 1 DC ground
- 2 DC output 12 V, max 50 mA
- 3 I/O configured as input
- 4 I/O configured as output
- 5 Configurable I/O
- 6 Configurable I/O

Relay connector



AXIS D2050-VE Network Radar Detector

Specifications

▲CAUTION

Use single core wires for the relay connector.

Function	Specifications
Type	Normally open
Rating	24 V DC
Max. current	5 A
Isolation from other circuitry	2.5 kV
Electrical endurance	24 V DC, 25 000 operations at +70°C (158 °F)

Operating conditions

Product	Classification	Temperature	Humidity
AXIS D2050-VE	IEC 60529 IP66 NEMA 250 Type 4X	-40 °C to 60 °C (-40 °F to 140 °F)	10–100% RH (condensing)

Power consumption

NOTICE

Use a Safety Extra Low Voltage (SELV) compliant limited power source (LPS) with either a rated output power limited to ≤100 W or a rated output current limited to ≤5 A.

Product	Power over Ethernet	Power
AXIS D2050-VE	IEEE 802.3at, Type 2 Class 4	Typical 9 W Max. 15 W

