

AXIS T94K02L Recessed Mount

Installation Guide

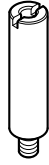
AXIS T94K02L Recessed Mount



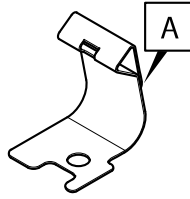
2x



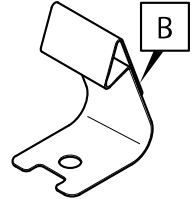
2x



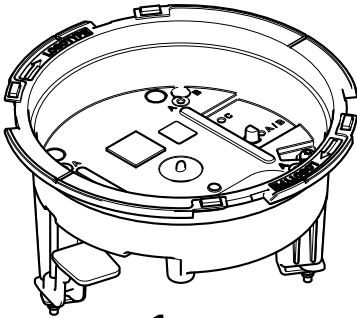
4x



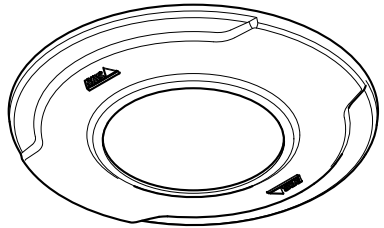
2x



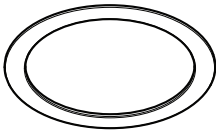
2x



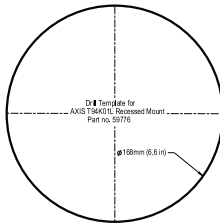
1x



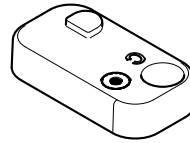
1x



1x

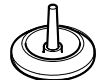


1x



2x

M20
1/2"

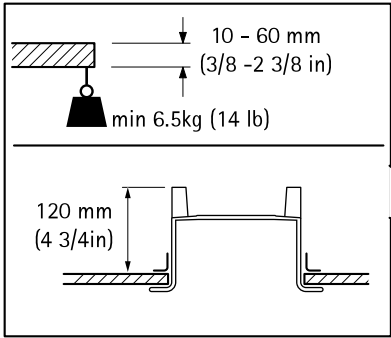


1x

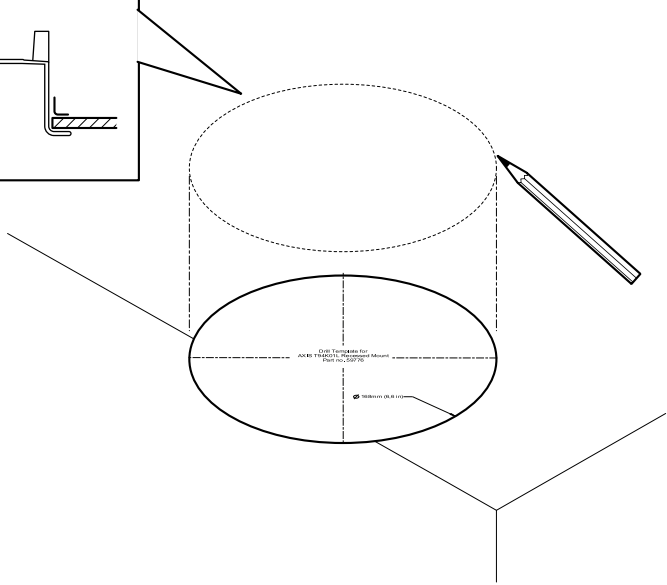


1x

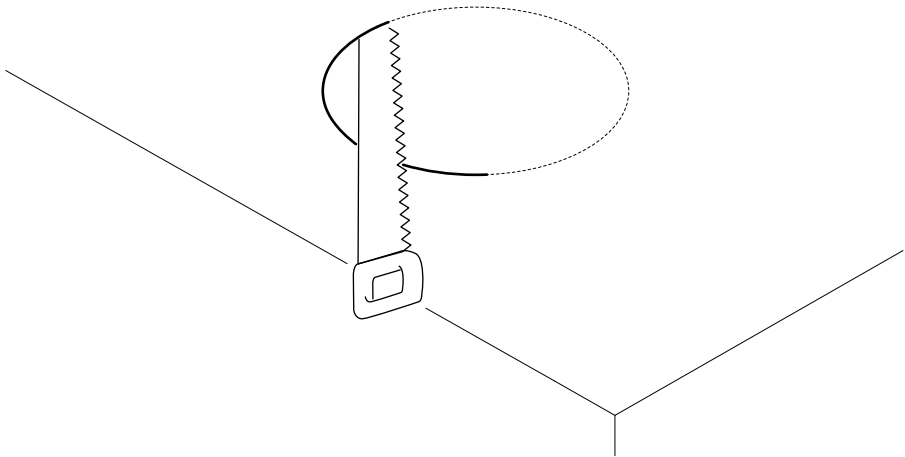
AXIS T94K02L Recessed Mount



1



2

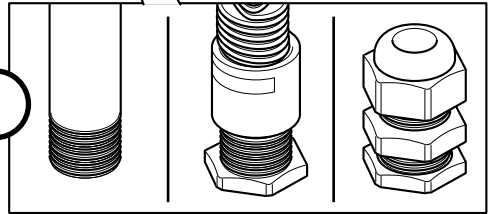
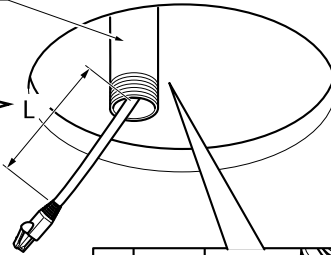


AXIS T94K02L Recessed Mount

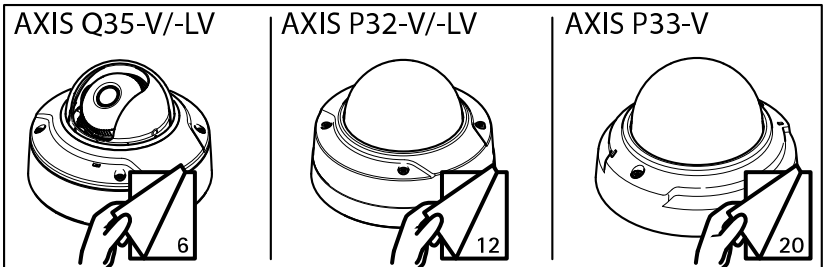
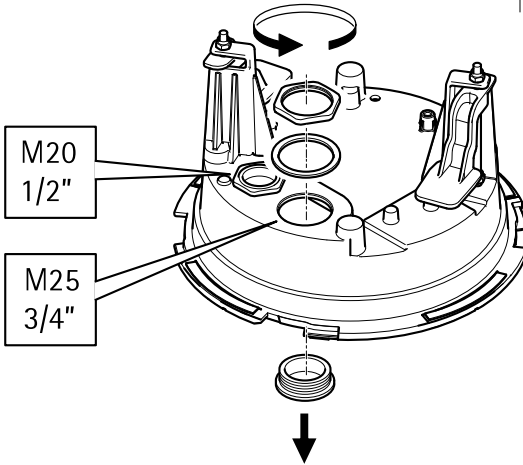
3

M20 → M25
1/2" → 3/4"

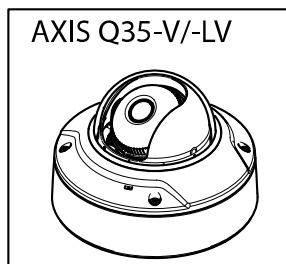
AXIS Q35 L=150 mm
(6 in)
AXIS P32 L=150 - 250 mm
(6 - 10 in)
AXIS P33 L=150 mm
(6 in)



4

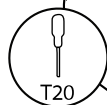


AXIS T94K02L Recessed Mount

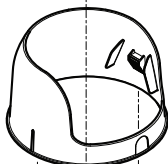
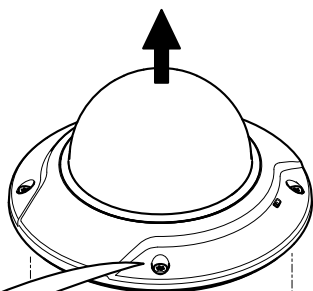


5

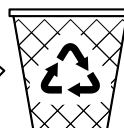
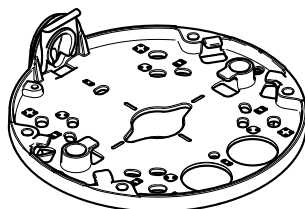
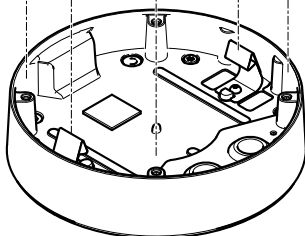
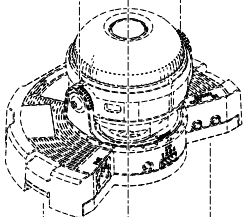
4x

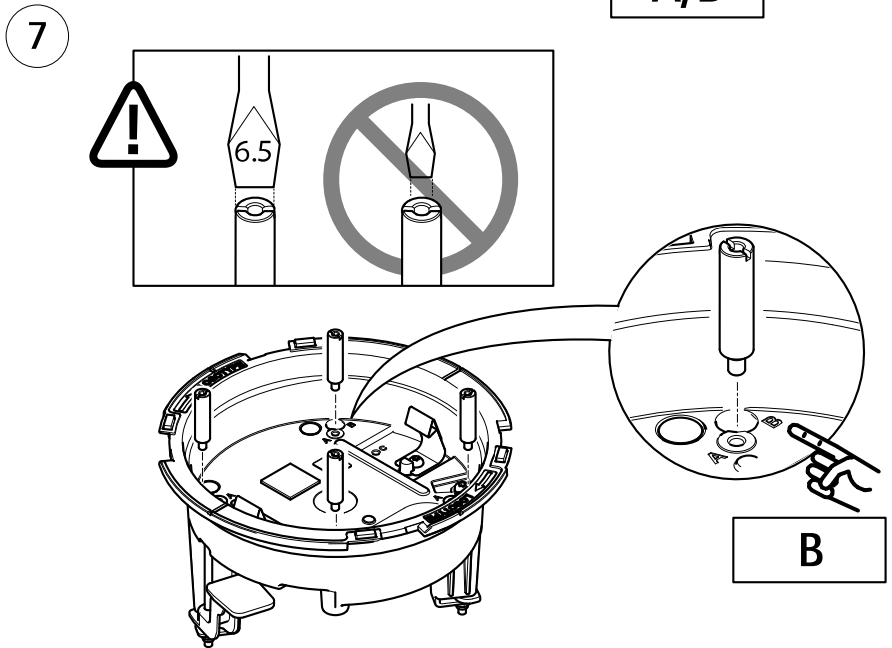
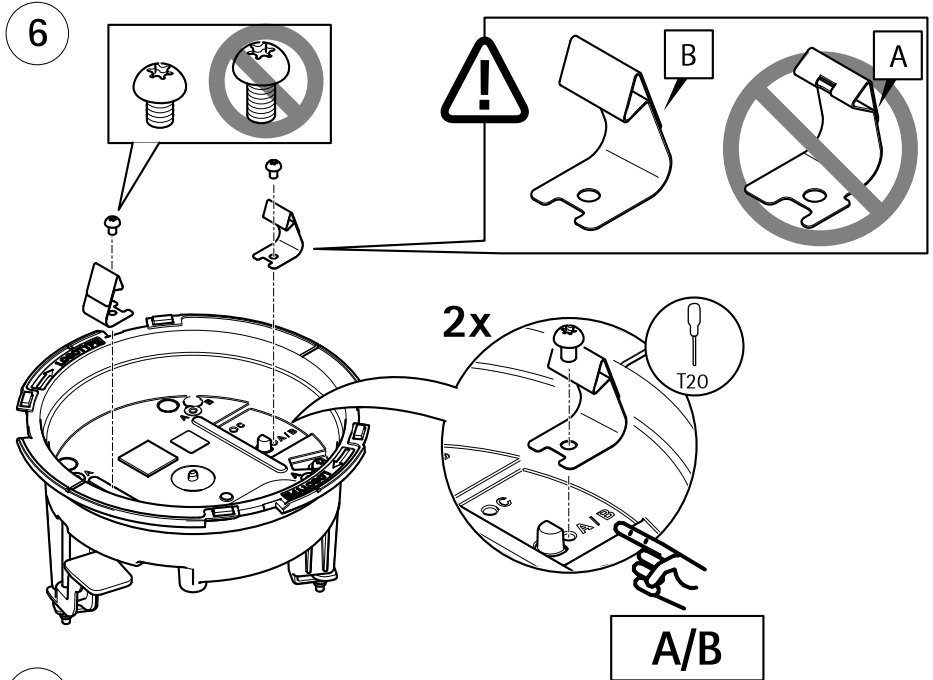


T20

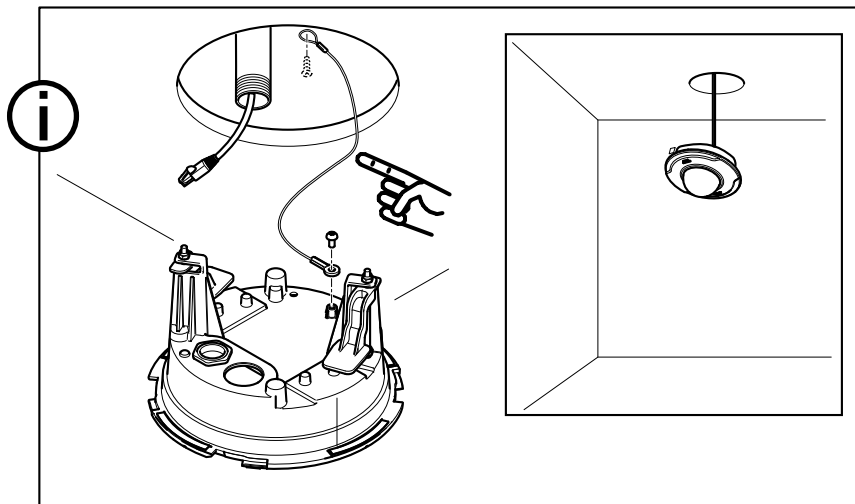


AXIS Q35-LV

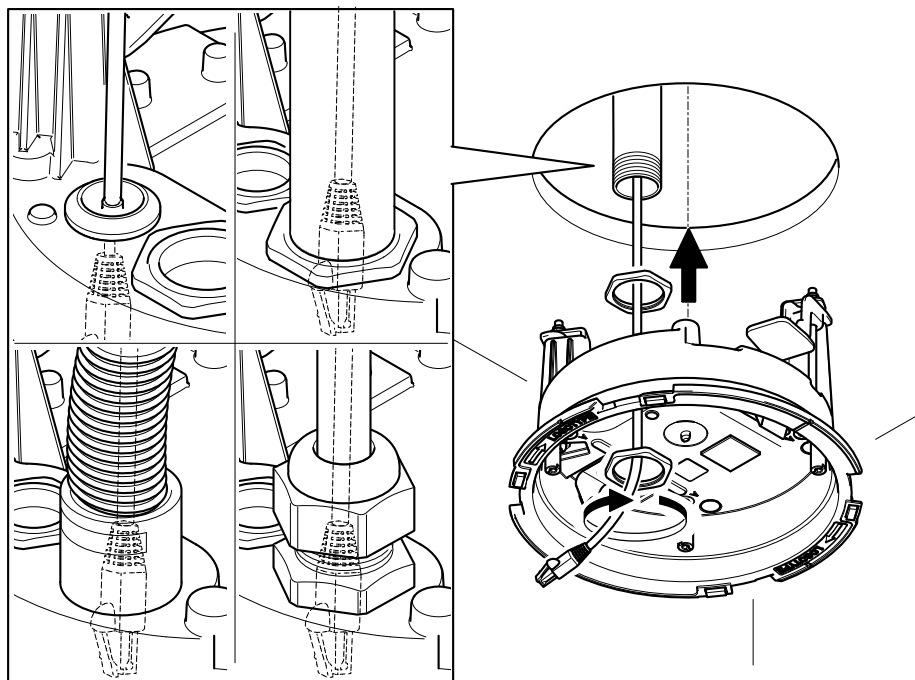




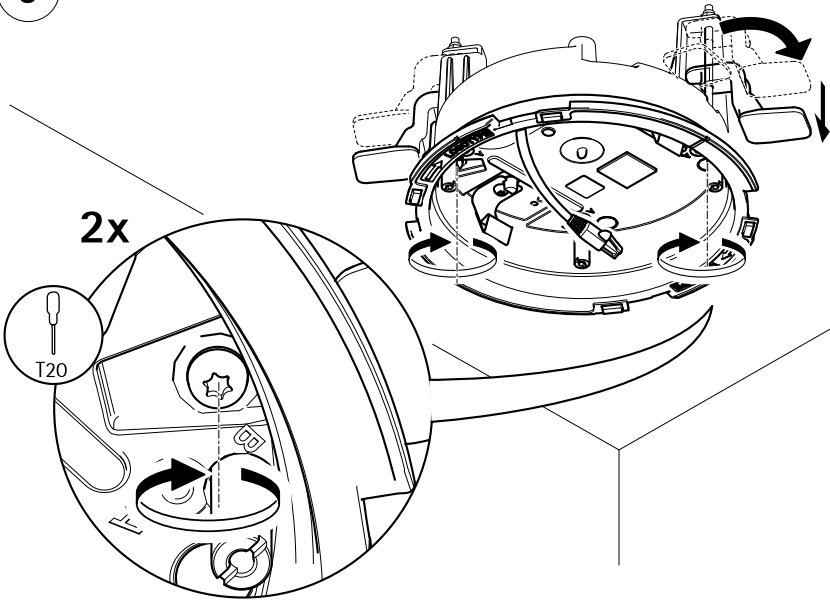
AXIS T94K02L Recessed Mount



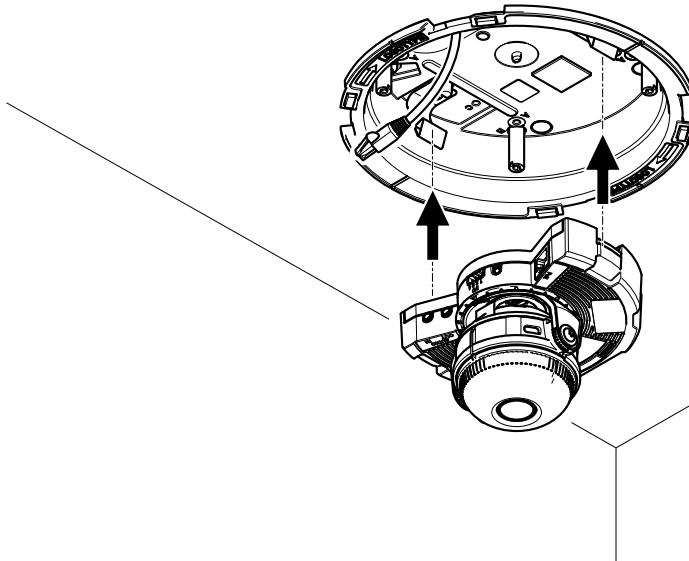
8



9

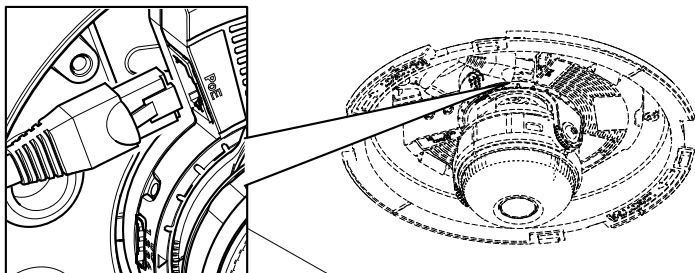


10

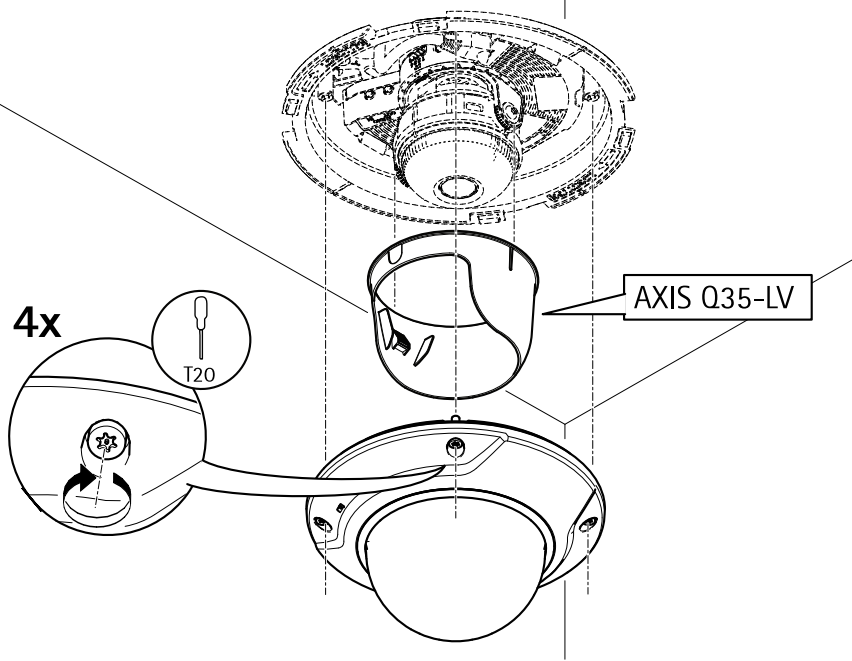


AXIS T94K02L Recessed Mount

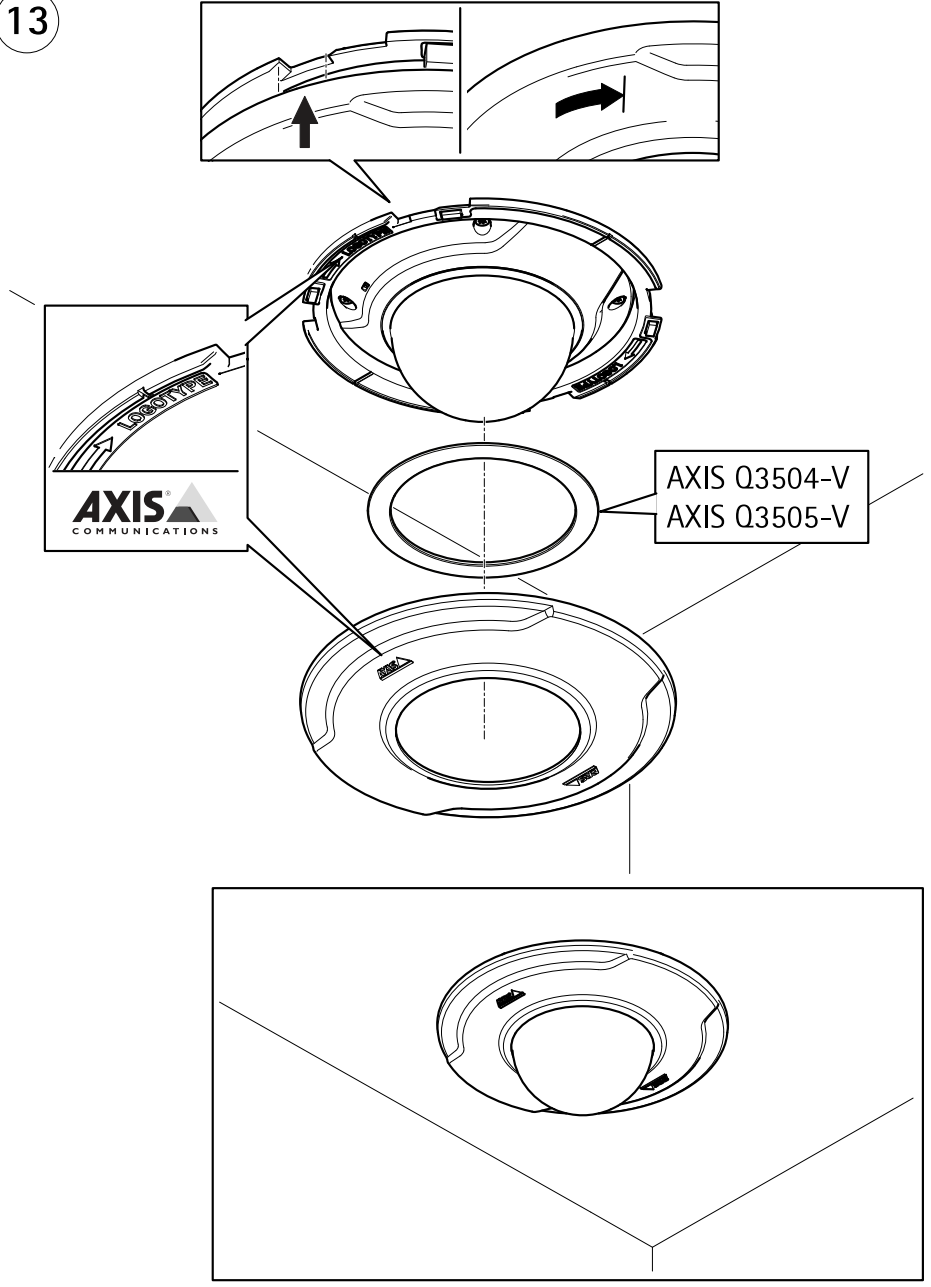
11



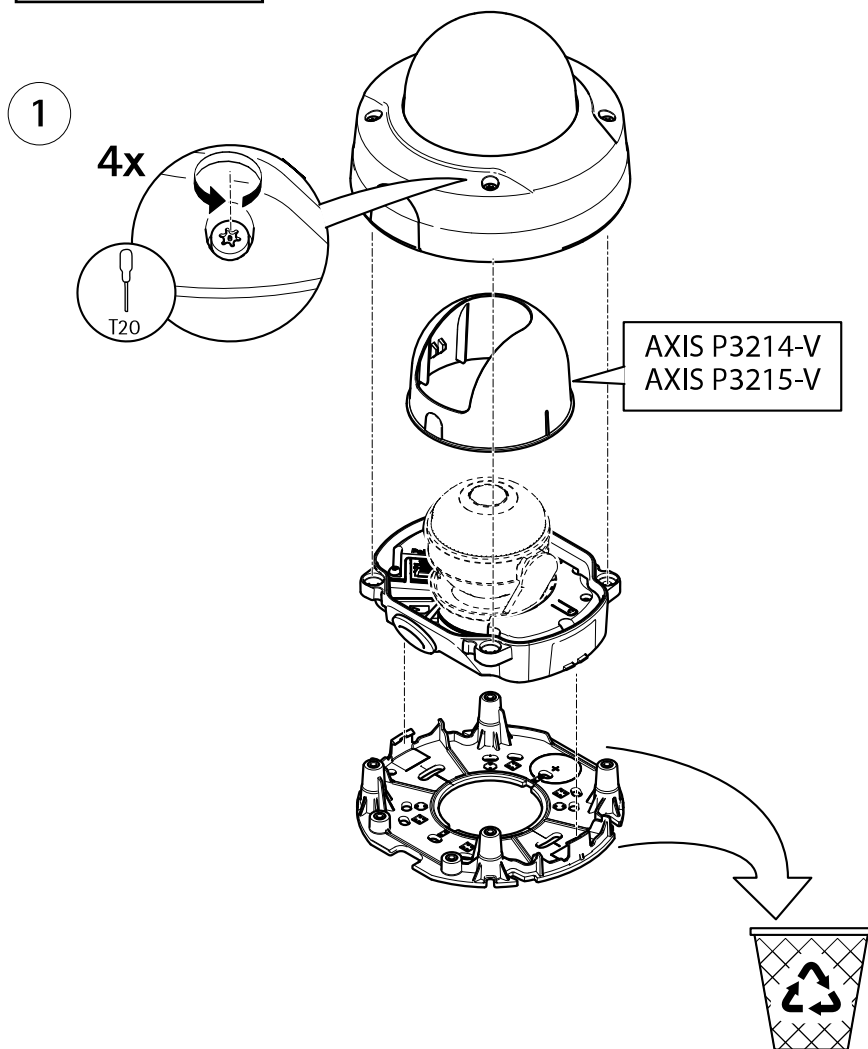
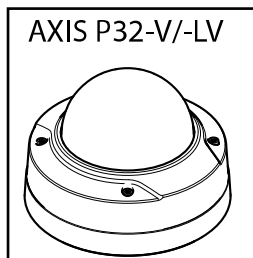
12

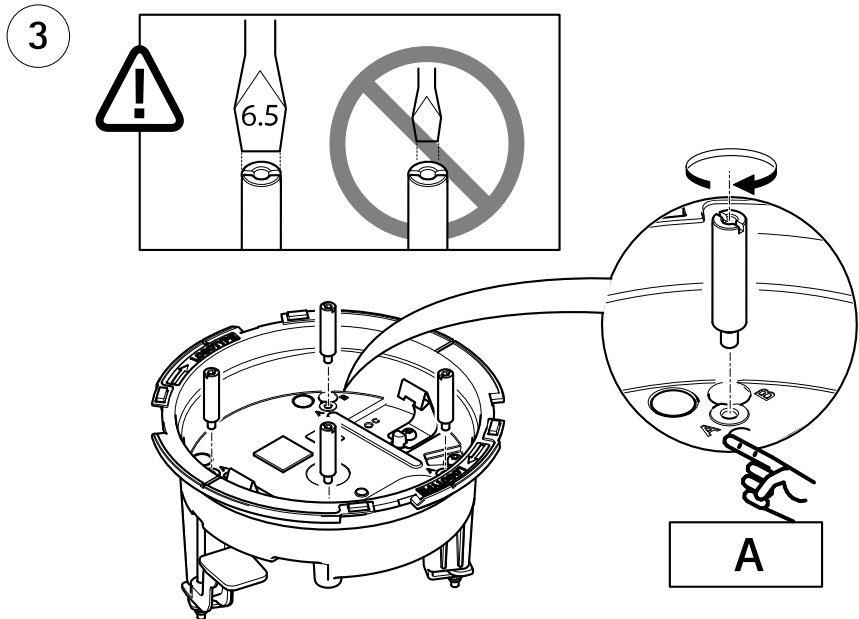
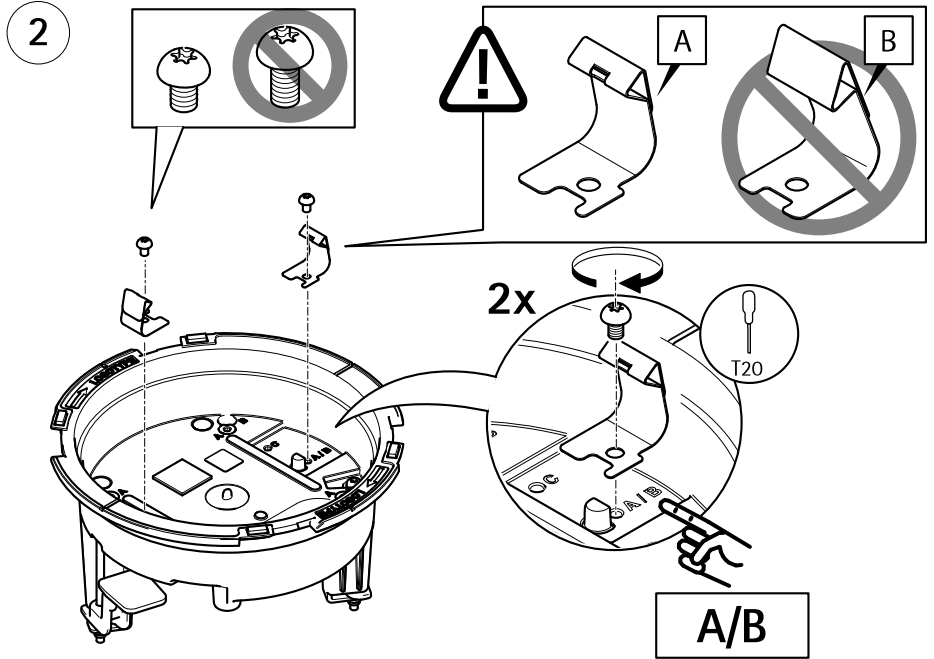


13

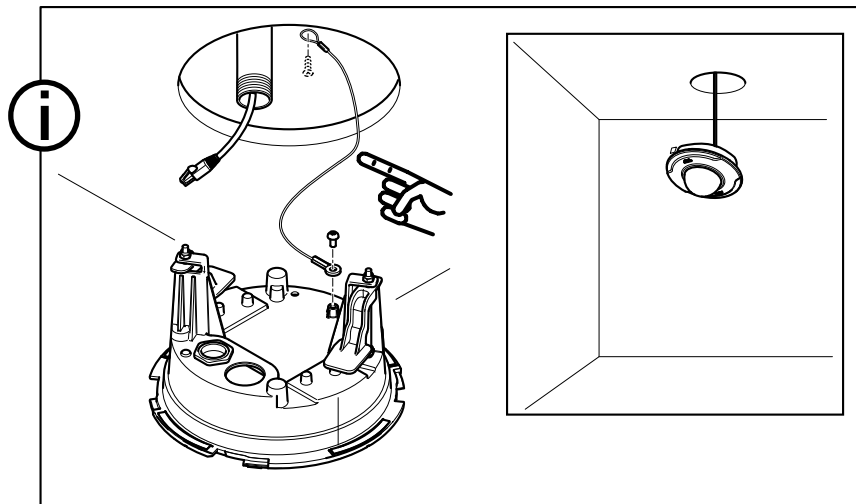


AXIS T94K02L Recessed Mount

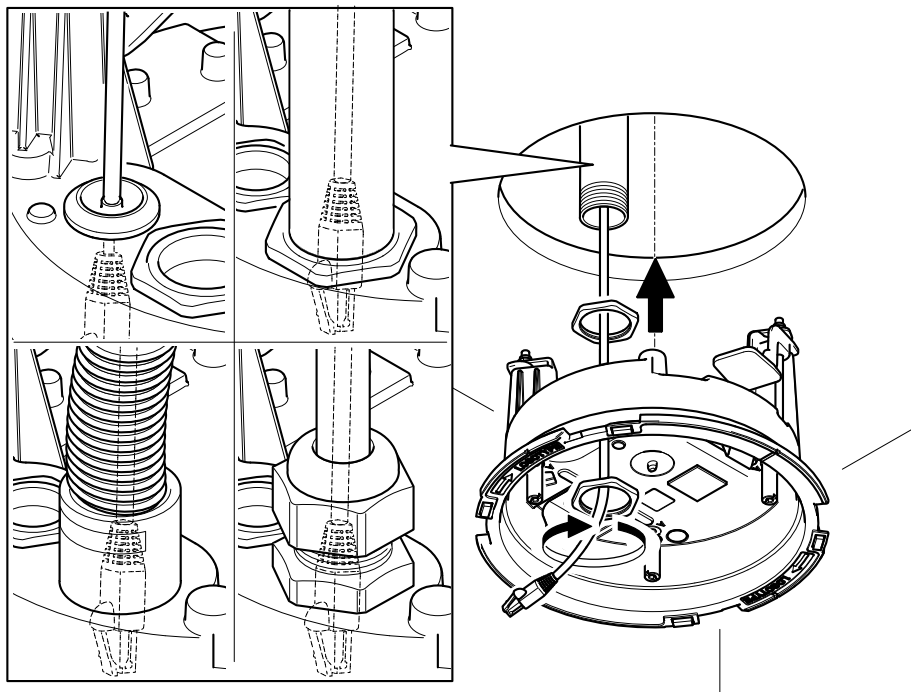




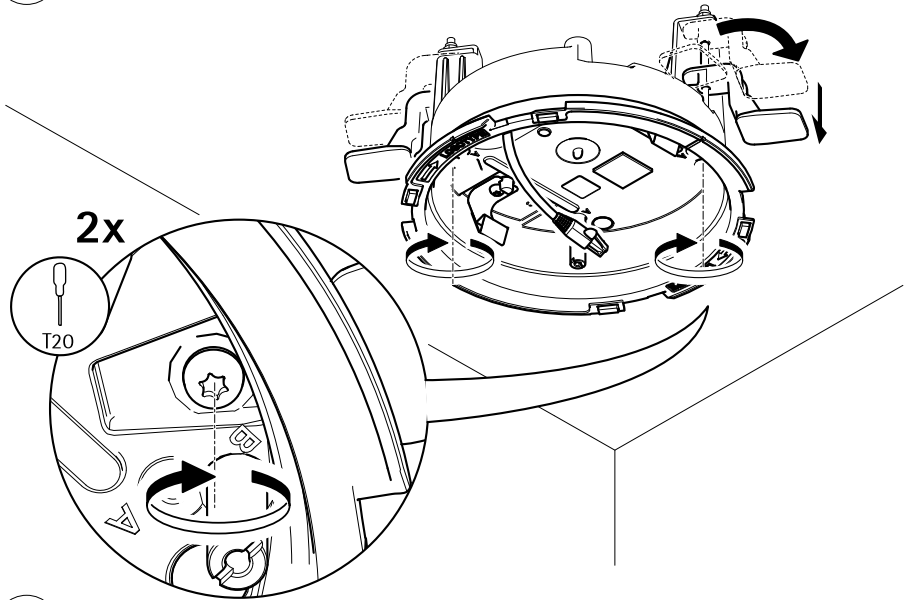
AXIS T94K02L Recessed Mount



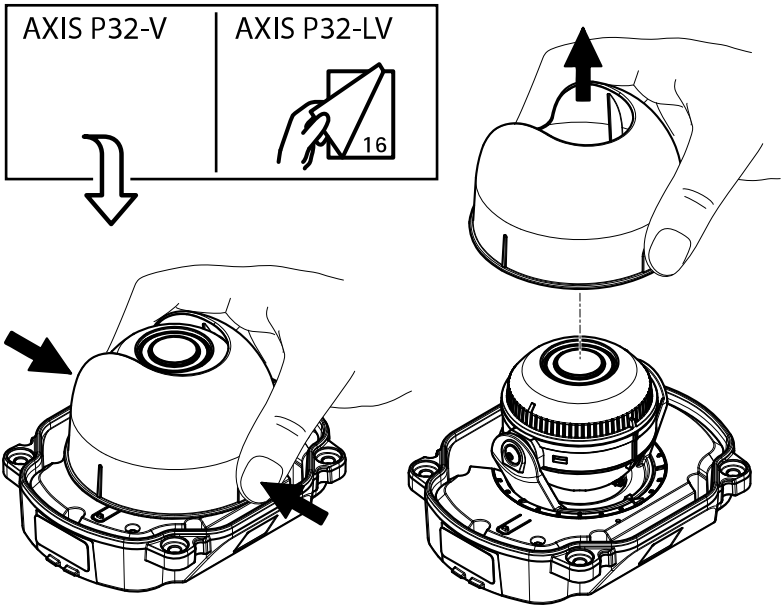
4



5

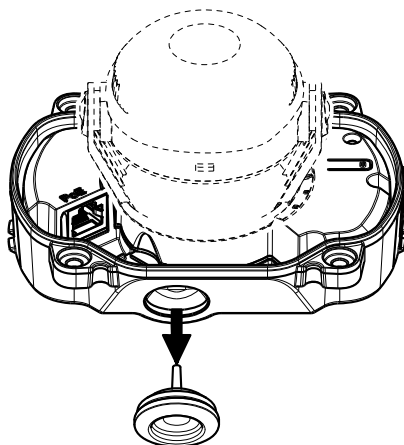


6

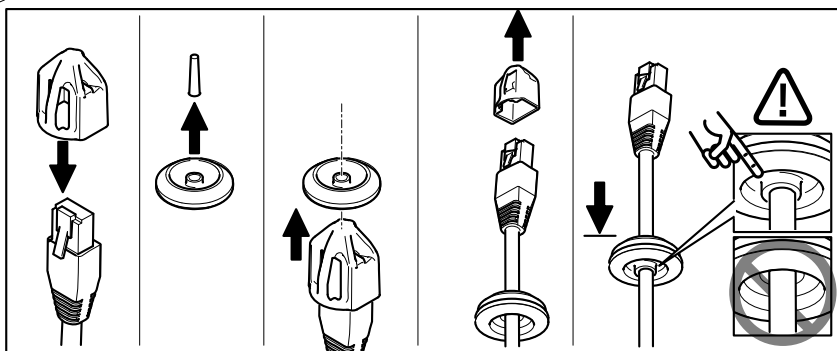


AXIS T94K02L Recessed Mount

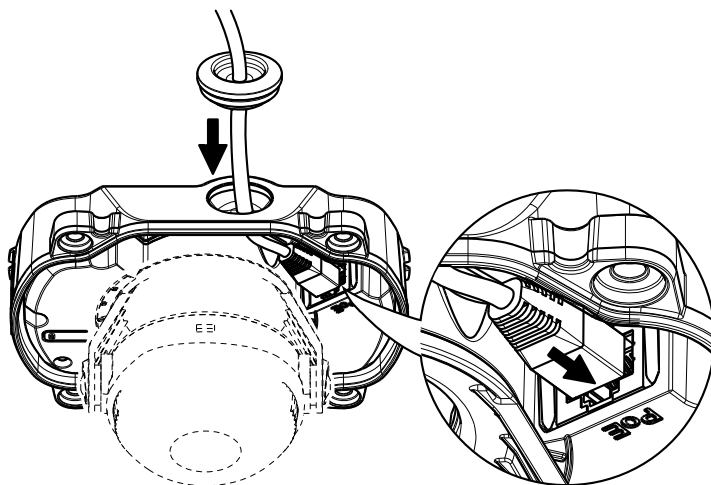
7



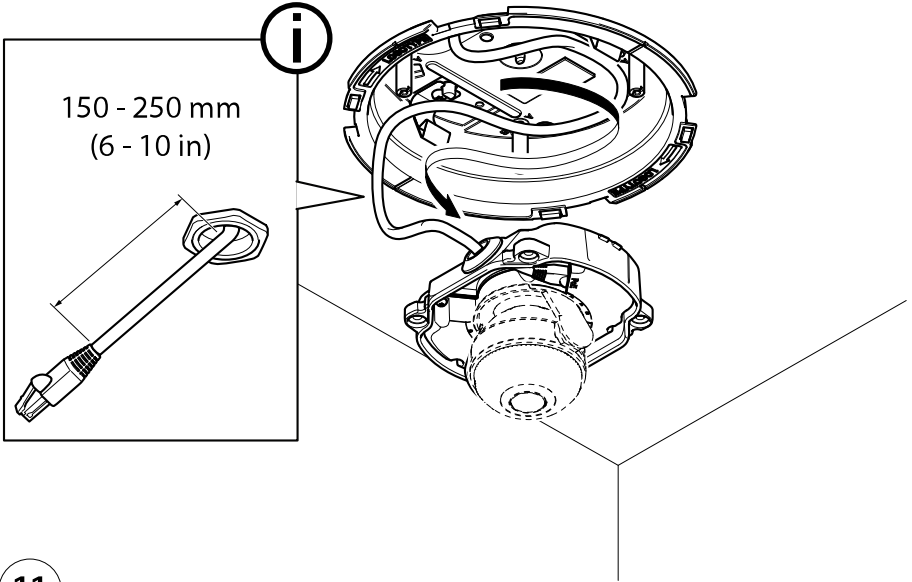
8



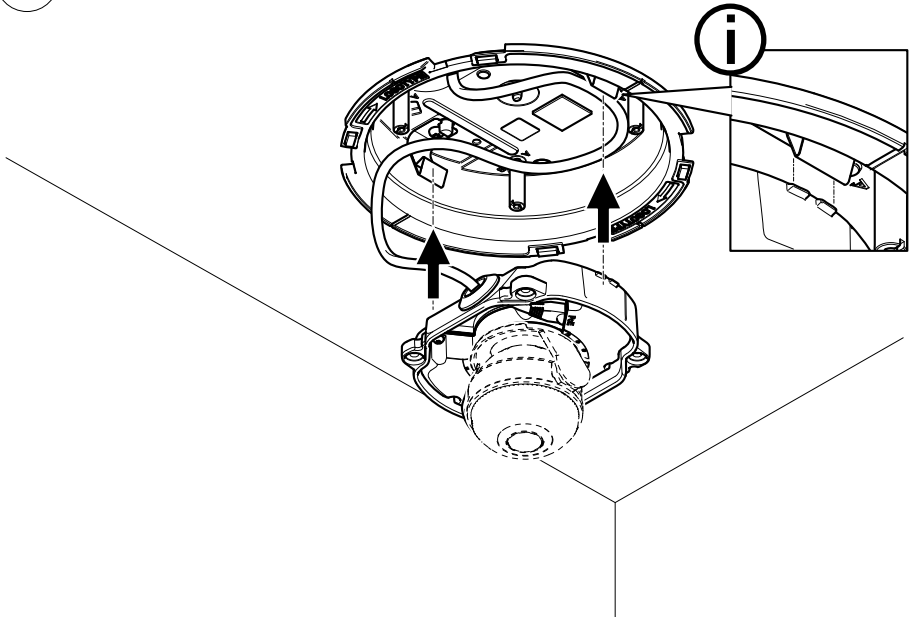
9



10

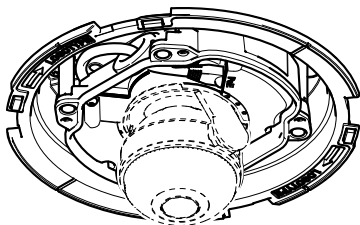


11



AXIS T94K02L Recessed Mount

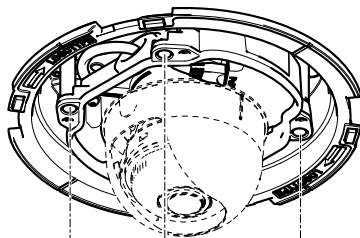
12



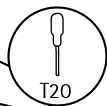
AXIS P3214-V
AXIS P3215-V



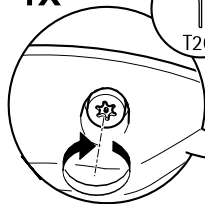
13



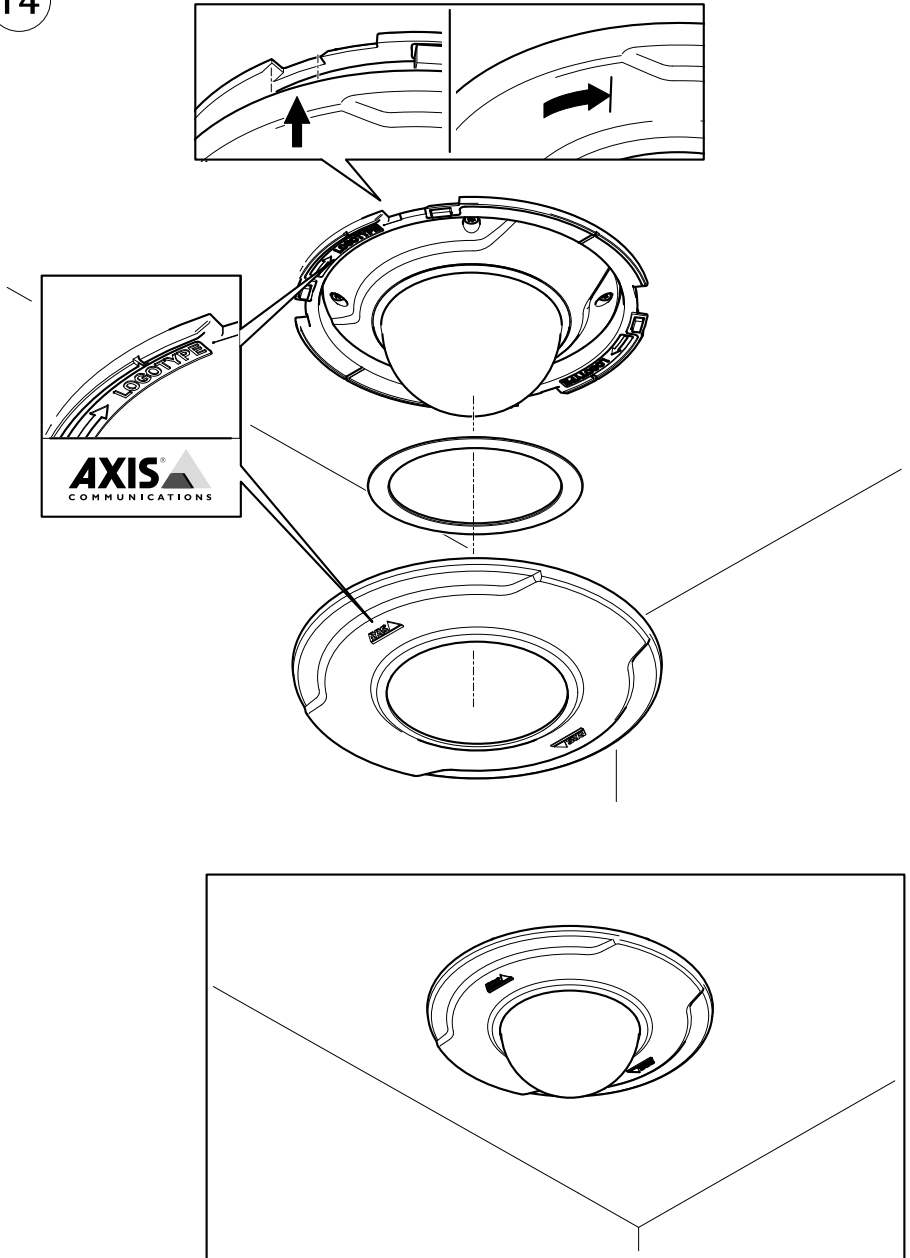
4x



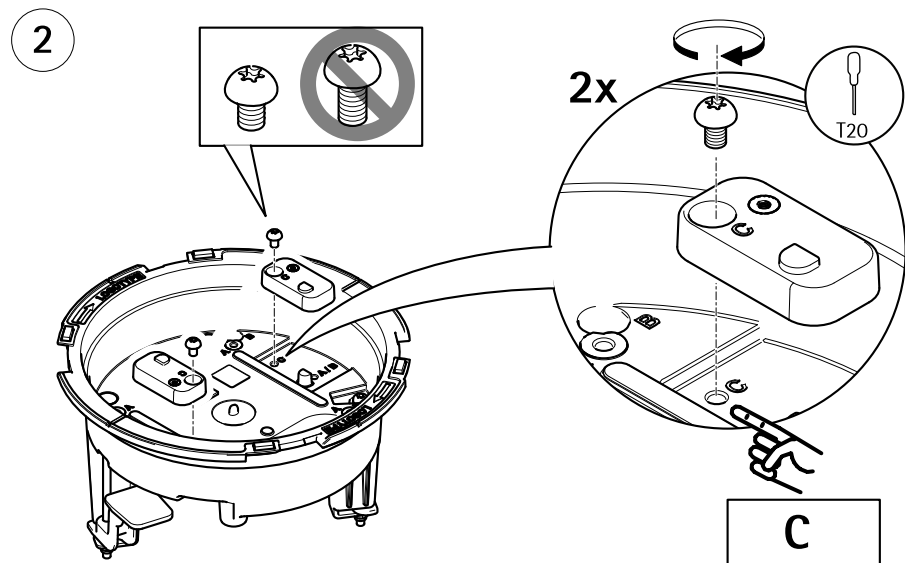
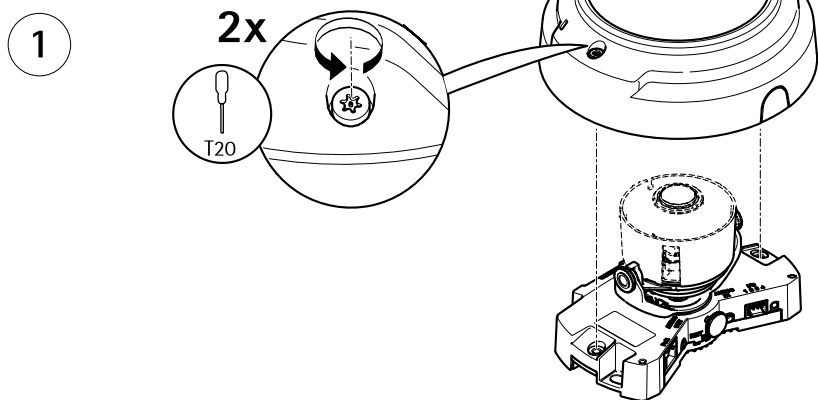
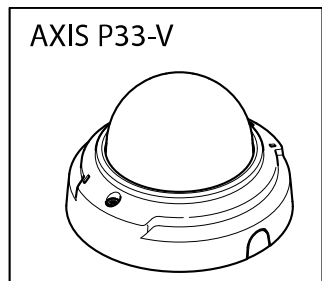
T20



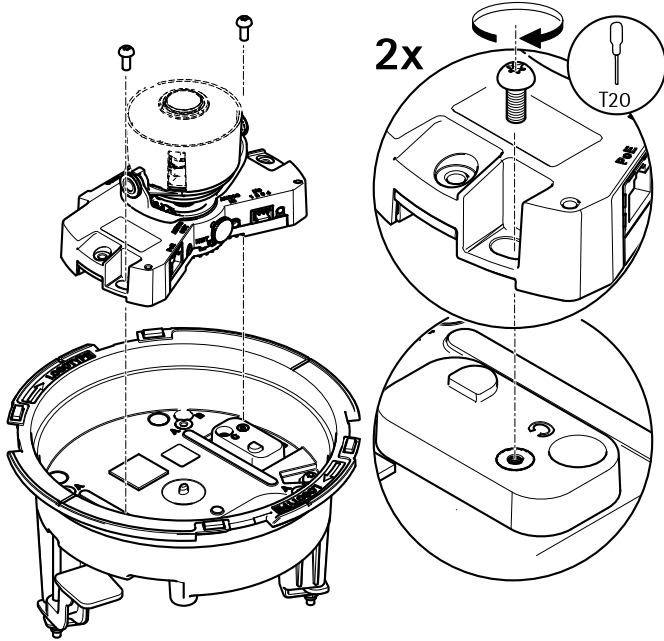
14



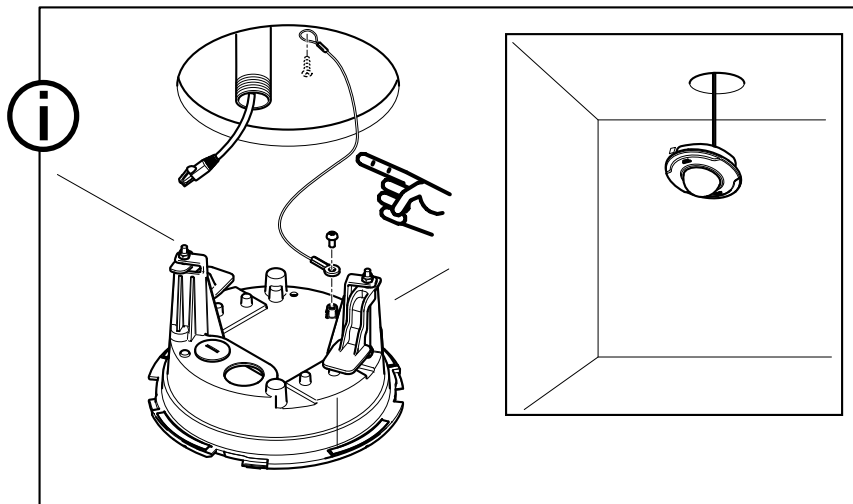
AXIS T94K02L Recessed Mount



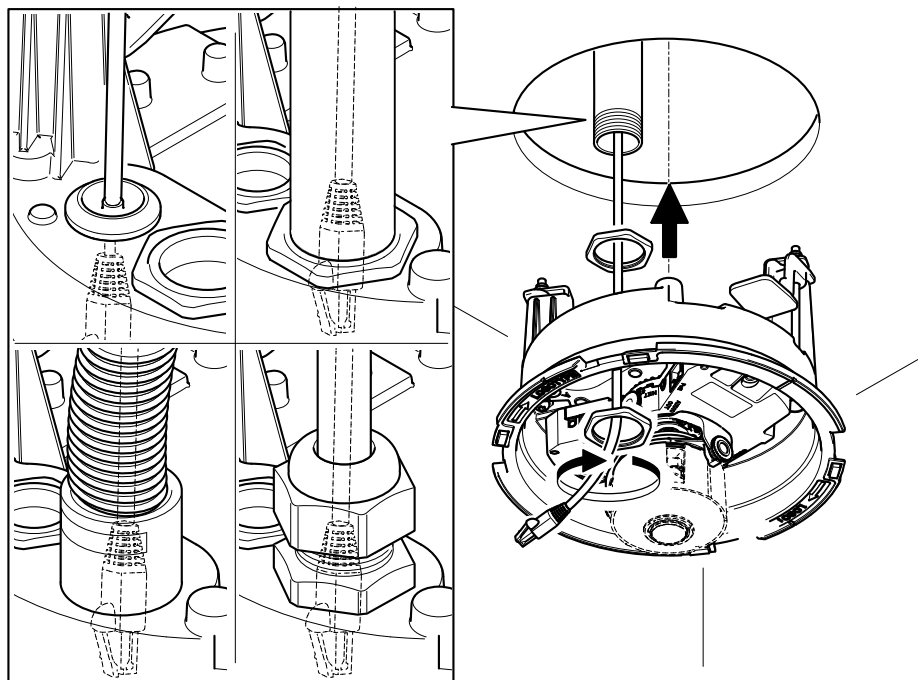
3



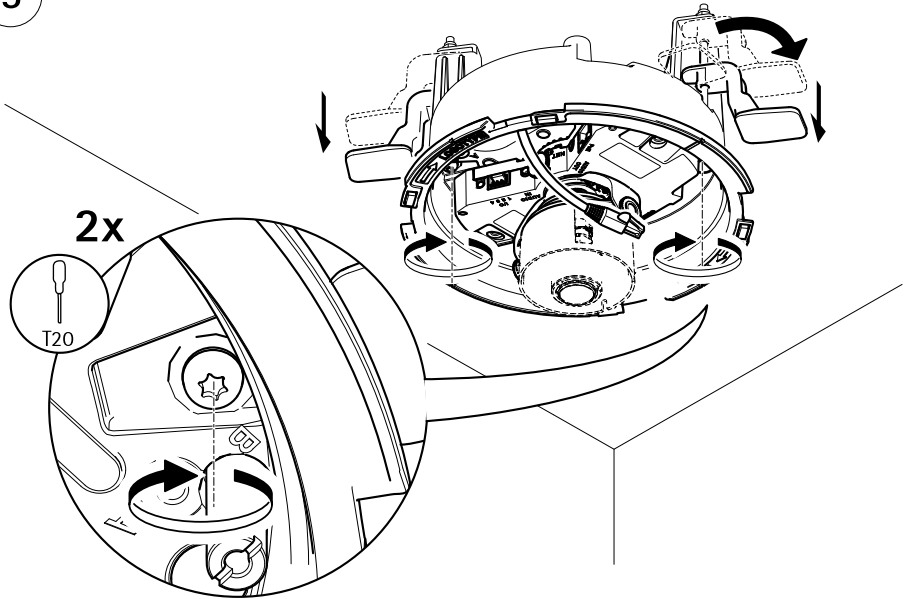
AXIS T94K02L Recessed Mount



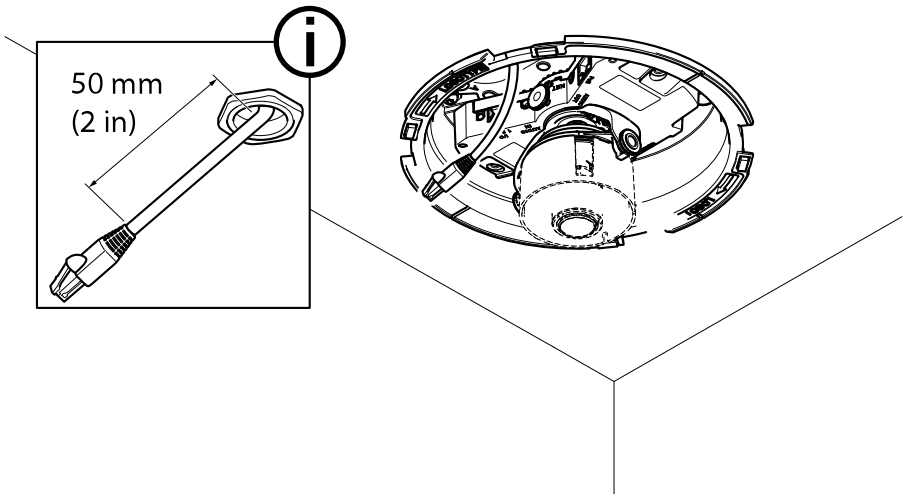
4



5

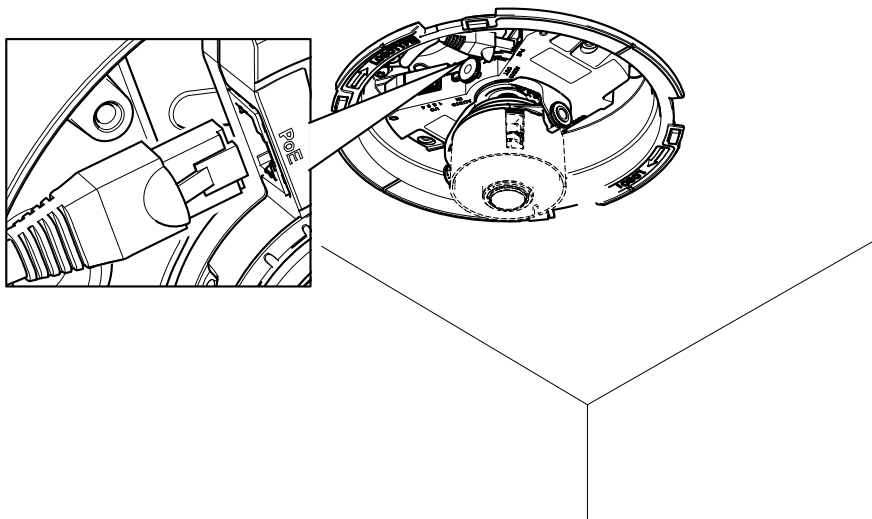


6

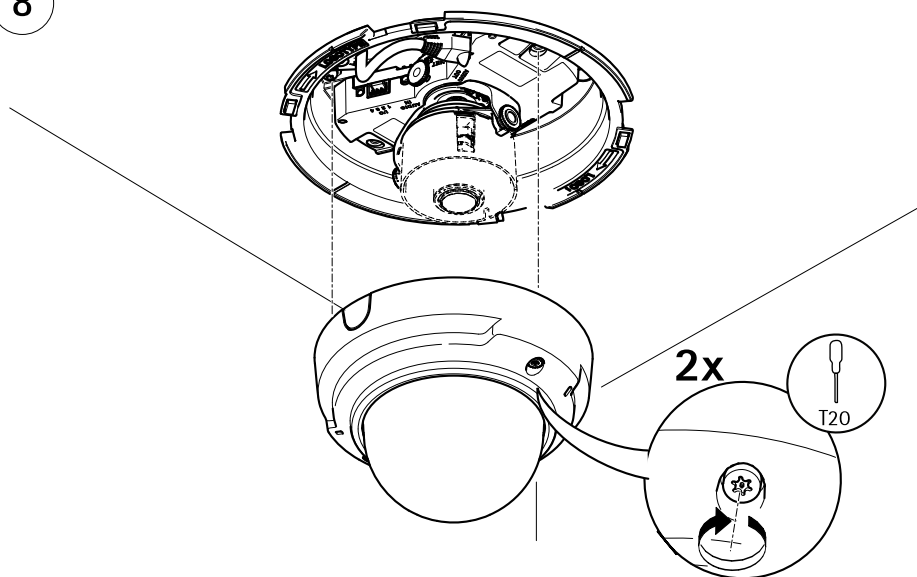


AXIS T94K02L Recessed Mount

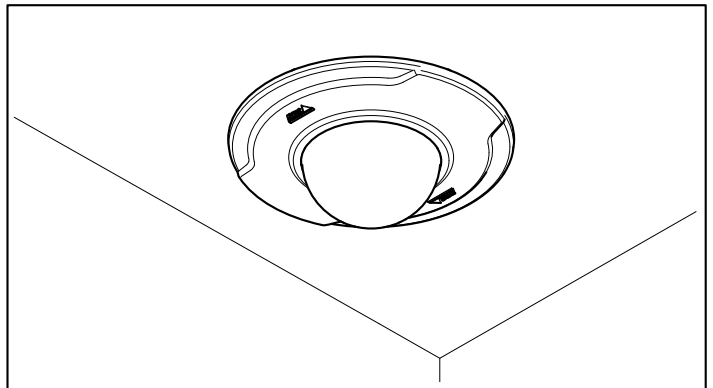
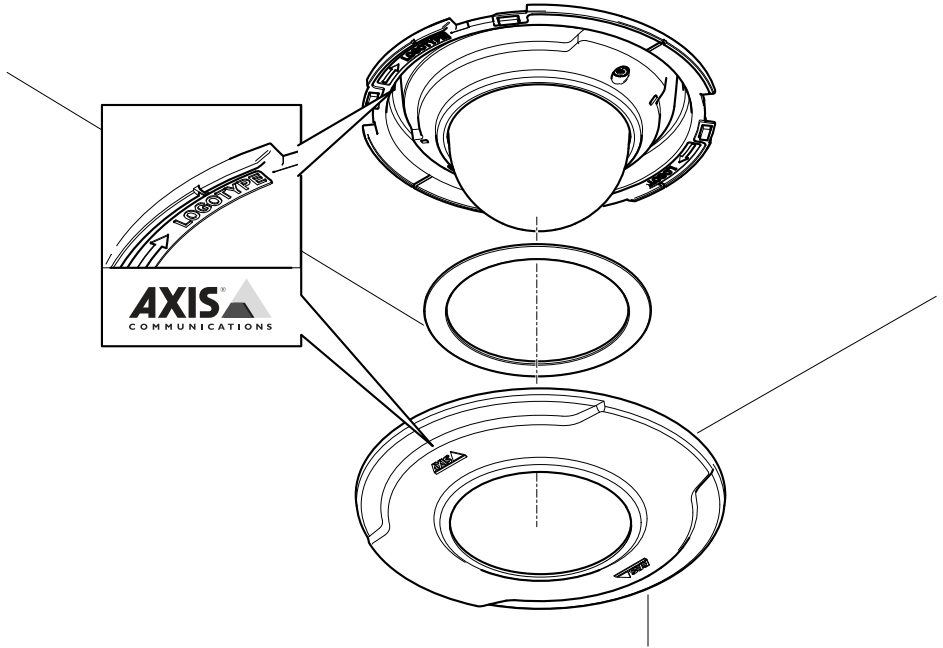
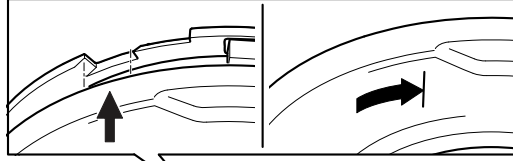
7



8



9



Installation Guide

AXIS T94K02L Recessed Mount

© Axis Communications AB, 2015 - 2017

Ver. M3.2

Date: July 2017

Part No. 1721422