

AXIS Q60-S Series

AXIS Q6042-S PTZ Dome Network Camera

AXIS Q6044-S PTZ Dome Network Camera

AXIS Q6045-S Mk II PTZ Dome Network Camera

Installation Guide

Legal Considerations

Video surveillance can be regulated by laws that vary from country to country. Check the laws in your local region before using this product for surveillance purposes.

This product includes one (1) H.264 decoder license. To purchase further licenses, contact your reseller.

Liability

Every care has been taken in the preparation of this document. Please inform your local Axis office of any inaccuracies or omissions. Axis Communications AB cannot be held responsible for any technical or typographical errors and reserves the right to make changes to the product and manuals without prior notice. Axis Communications AB makes no warranty of any kind with regard to the material contained within this document, including, but not limited to, the implied warranties of merchantability and fitness for a particular purpose. Axis Communications AB shall not be liable nor responsible for incidental or consequential damages in connection with the furnishing, performance or use of this material. This product is only to be used for its intended purpose.

Intellectual Property Rights

Axis AB has intellectual property rights relating to technology embodied in the product described in this document. In particular, and without limitation, these intellectual property rights may include one or more of the patents listed at www.axis.com/patent.htm and one or more additional patents or pending patent applications in the US and other countries.

This product contains licensed third-party software. See the menu item "About" in the product's user interface for more information.

This product contains source code copyright Apple Computer, Inc., under the terms of Apple Public Source License 2.0 (see www.opensource.apple.com/aps/). The source code is available from <https://developer.apple.com/bonjour/>

Equipment Modifications

This equipment must be installed and used in strict accordance with the instructions given in the user documentation. This equipment contains no user-serviceable components. Unauthorized equipment changes or modifications will invalidate all applicable regulatory certifications and approvals.

Trademark Acknowledgments

AXIS COMMUNICATIONS, AXIS, ETRAX, ARTPEC and VAPIX are registered trademarks or trademark applications of Axis AB in various jurisdictions. All other company names and products are trademarks or registered trademarks of their respective companies.

Apple, Boa, Apache, Bonjour, Ethernet, Internet Explorer, Linux, Microsoft, Mozilla, Real, SMPTE, QuickTime, UNIX, Windows, Windows Vista and WWW are registered trademarks of the respective holders. Java and all Java-based trademarks and logos are trademarks or registered trademarks of Oracle and/or its affiliates. UPnP[™] is a certification mark of the UPnP[™] Implementers Corporation.

SD, SDHC and SDXC are trademarks or registered trademarks of SD-3C, LLC in the United States, other countries or both. Also, miniSD, microSD, miniSDHC, microSDHC, microSDXC are all trademarks or registered trademarks of SD-3C, LLC in the United States, other countries or both.

Regulatory Information

Europe

CE This product complies with the applicable CE marking directives and harmonized standards:

- Electromagnetic Compatibility (EMC) Directive 2004/108/EC. See *Electromagnetic Compatibility (EMC)* on page 2.
- Low Voltage (LVD) Directive 2006/95/EC. See *Safety* on page 3.
- Restrictions of Hazardous Substances (RoHS) Directive 2011/65/EU. See *Disposal and Recycling* on page 3.

A copy of the original declaration of conformity may be obtained from Axis Communications AB. See *Contact Information* on page 3.

Electromagnetic Compatibility (EMC)

This equipment has been designed and tested to fulfill applicable standards for:

- Radio frequency emission when installed according to the instructions and used in its intended environment.
- Immunity to electrical and electromagnetic phenomena when installed according to the instructions and used in its intended environment.

USA

This equipment has been tested using a shielded network cable (STP) and found to comply with the limits for a Class A digital device, pursuant to part 15 of the FCC Rules. These limits are designed to provide reasonable protection against harmful interference when the equipment is operated in a commercial environment. This equipment generates, uses, and can radiate radio frequency energy and, if not installed and used in accordance with the instruction manual, may cause harmful interference to radio communications. Operation of this equipment in a residential area is likely to cause harmful interference in which case the user will be required to correct the interference at his own expense.

The product shall be connected using a shielded network cable (STP) that is properly grounded.

Canada

This digital apparatus complies with CAN ICES-3 (Class A). The product shall be connected using a shielded network cable (STP) that is properly grounded.

Cet appareil numérique est conforme à la norme NMB ICES-3 (classe A). Le produit doit être connecté à l'aide d'un câble réseau blindé (STP) qui est correctement mis à la terre.

Europe

This digital equipment fulfills the requirements for RF emission according to the Class A limit of EN 55022. The product shall be connected using a shielded network cable (STP) that is properly grounded. Notice! This is a Class A product. In a domestic environment this product may cause RF interference, in which case the user may be required to take adequate measures.

This product fulfills the requirements for emission and immunity according to EN 50121-4 and IEC 62236-4 railway applications.

This product fulfills the requirements for immunity according to EN 61000-6-1 residential, commercial and light-industrial environments.

This product fulfills the requirements for immunity according to EN 61000-6-2 industrial environments.

This product fulfills the requirements for immunity according to EN 55024 office and commercial environments

Australia/New Zealand

This digital equipment fulfills the requirements for RF emission according to the Class A limit of AS/NZS CISPR 22. The product shall be connected using a shielded network cable (STP) that is properly grounded. Notice! This is a Class A product. In a domestic environment this product may cause RF interference, in which case the user may be required to take adequate measures.

Japan

この装置は、クラスA 情報技術装置です。この装置を家庭環境で使用すると電波妨害を引き起こすことがあります。この場合には使用者が適切な対策を講ずるよう要求されることがあります。本製品は、シールドネットワークケーブル(STP)を使用して接続してください。また適切に接地してください。

Korea

이 기기는 업무용(A급) 전자파적합기기로서 판매자 또는 사용자는 이 점을 주의하시기 바라며, 가정외의 지역에서 사용하는 것을 목적으로 합니다. 적절히 접지된 STP (shielded twisted pair) 케이블을 사용하여 제품을 연결 하십시오.

Safety

This product complies with IEC/EN/UL 60950-1 and IEC/EN/UL 60950-22, Safety of Information Technology Equipment. The product shall be grounded either through a shielded network cable (STP) or other appropriate method.

The power supply used with this product shall fulfill the requirements for Safety Extra Low Voltage (SELV) according to IEC/EN/UL 60950-1.

Disposal and Recycling

When this product has reached the end of its useful life, dispose of it according to local laws and regulations. For information about your nearest designated collection point, contact your local authority responsible for waste disposal. In accordance with local legislation, penalties may be applicable for incorrect disposal of this waste.

Europe



■ This symbol means that the product shall not be disposed of together with household or commercial waste. Directive 2012/19/EU on waste electrical and electronic equipment (WEEE) is applicable in the European Union member states. To prevent potential harm to human health and the environment, the product must be disposed of in an approved and environmentally safe recycling process. For information about your nearest designated collection point, contact your local authority responsible for waste disposal. Businesses should contact the product supplier for information about how to dispose of this product correctly.

This product complies with the requirements of Directive 2011/65/EU on the restriction of the use of certain hazardous substances in electrical and electronic equipment (RoHS).

China



This product complies with the requirements of the legislative act Administration on the Control of Pollution Caused by Electronic Information Products (ACPEIP).

Contact Information

Axis Communications AB
Emdalavägen 14
223 69 Lund
Sweden

Tel: +46 46 272 18 00

Fax: +46 46 13 61 30

www.axis.com

Support

Should you require any technical assistance, please contact your Axis reseller. If your questions cannot be answered immediately, your reseller will forward your queries through the appropriate channels to ensure a rapid response. If you are connected to the Internet, you can:

- download user documentation and software updates
- find answers to resolved problems in the FAQ database. Search by product, category, or phrase
- report problems to Axis support staff by logging in to your private support area
- chat with Axis support staff (selected countries only)
- visit Axis Support at www.axis.com/techsup/

Learn More!

Visit Axis learning center www.axis.com/academy/ for useful trainings, webinars, tutorials and guides.

Safety Information

Read through this Installation Guide carefully before installing the product. Keep the Installation Guide for future reference.

Hazard Levels

▲DANGER

Indicates a hazardous situation which, if not avoided, will result in death or serious injury.

▲WARNING

Indicates a hazardous situation which, if not avoided, could result in death or serious injury.

▲CAUTION

Indicates a hazardous situation which, if not avoided, could result in minor or moderate injury.

NOTICE

Indicates a situation which, if not avoided, could result in damage to property.

Other Message Levels

Important

Indicates significant information which is essential for the product to function correctly.

Note

Indicates useful information which helps in getting the most out of the product.

Safety Instructions

▲WARNING

- The Axis product shall be installed by a trained professional.

NOTICE

- The Axis product shall be used in compliance with local laws and regulations.
- Store the Axis product in a dry and ventilated environment.
- Avoid exposing the Axis product to shocks or heavy pressure.
- Do not install the product on unstable brackets, surfaces or walls.
- Use only applicable tools when installing the Axis product. Excessive force could cause damage to the product.
- Do not use chemicals, caustic agents, or aerosol cleaners.
- Use a clean cloth dampened with pure water for cleaning.
- Use only accessories that comply with technical specification of the product. These can be provided by Axis or a third party.
- Use only spare parts provided by or recommended by Axis.
- Do not attempt to repair the product by yourself. Contact Axis support or your Axis reseller for service matters.

Transportation

NOTICE

- Keep the protective packaging. When transporting the Axis product, the protective packaging shall be replaced in its original position.
- When transporting the Axis product, use the original packaging or equivalent to prevent damage to the product.

Battery

The Axis product uses a 3.0 V BR/CR2032 lithium battery as the power supply for its internal real-time clock (RTC). Under normal conditions this battery will last for a minimum of five years.

Low battery power affects the operation of the RTC, causing it to reset at every power-up. When the battery needs replacing, a log message will appear in the product's server report. For more information about the server report, see the product's setup pages or contact Axis support.

The battery should not be replaced unless required, but if the battery does need replacing, contact Axis support at www.axis.com/techsup for assistance.

⚠WARNING

- Risk of explosion if the battery is incorrectly replaced.
- Replace only with an identical battery or a battery which is recommended by Axis.
- Dispose of used batteries according to local regulations or the battery manufacturer's instructions.

Dome Cover

NOTICE

- Be careful not to scratch, damage or leave fingerprints on the dome cover because this could decrease image quality. If possible, keep the protective plastic on the dome cover until the installation is complete.
- Do not clean a dome cover that looks clean to the eye and never polish the surface. Excessive cleaning could damage the surface.
- For general cleaning of the dome cover it is recommended to use a non-abrasive, solvent-free neutral soap or detergent mixed with pure water and a soft, clean cloth. Rinse well with pure lukewarm water. Dry with a soft, clean cloth to prevent water spotting.
- Never use harsh detergents or alcohols (isopropyl, butyl, propyl) and avoid cleaning the dome cover in direct sunlight or at elevated temperatures.

Installation Guide

This Installation Guide provides instructions for installing AXIS Q6042-S PTZ Dome Network Camera, AXIS Q6044-S PTZ Dome Network Camera or AXIS Q6045-S Mk II PTZ Dome Network Camera on your network. For other aspects of using the product, see the User Manual available at www.axis.com

Installation Steps

1. Make sure the package contents, tools and other materials necessary for the installation are in order. See *page 9*.
2. Study the hardware overview. See *page 11*.
3. Study the specifications. See *page 18*.
4. Install the hardware. See *page 22*.
5. Access the product. See *page 31*.

Package Contents

- AXIS Q6042-S PTZ Dome Network Camera, AXIS Q6044-S PTZ Dome Network Camera or AXIS Q6045-S Mk II PTZ Dome Network Camera
- AXIS T8605 Media Converter Switch
- Multi-connector cable (IP66), 7 m (23 ft)
- DIN rail clip
- Installation and Management Software CD
- Printed materials
 - Installation Guide (this document)
 - Extra serial number label (2x)
 - AVHS Authentication key

Recommended Tools

NOTICE

Stainless steel is corrosion-resistant, but extraneous rust can appear if the material is handled incorrectly. Use stainless tools to avoid rust stains or pitting corrosion.

- Torx screwdriver T10 (lid, cable clamping Media Converter Switch)
- Torx screwdriver T20 (dome cover removal)
- Torx screwdriver T25 (dome replacement)
- Slotted screwdriver 2.5 mm (socket, Media Converter Switch)

AXIS Q60-S Series

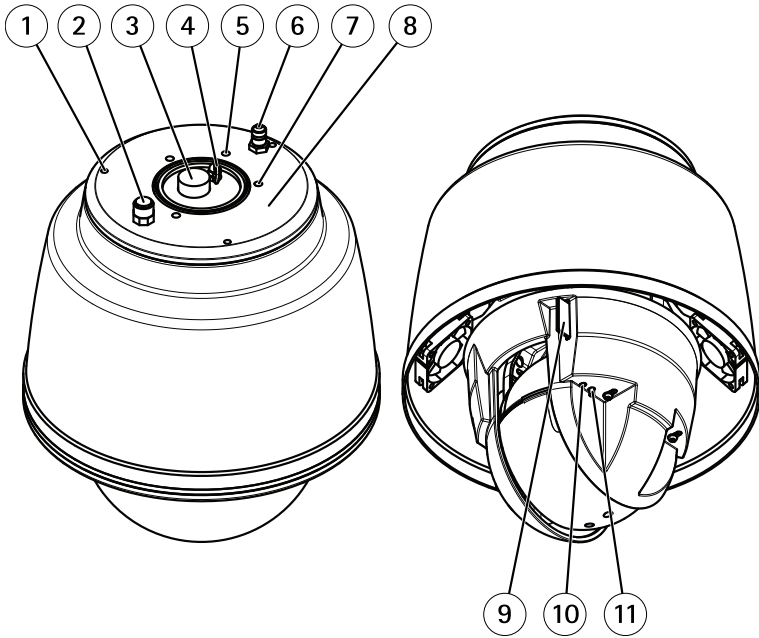
- 7 mm wrench (ground screw Media Converter Switch)
- 8 mm (5/16") wrench/socket (Sunshield, Pole Bracket T91C67 (hose clamp))
- 10 mm (3/8") wrench/socket (Bracket adapter AXIS T91C61, AXIS T94S01D, Pole Bracket T91C67)
- Cable shoe pliers (ground cable Media Converter Switch)
- Diagonal pliers (cables)
- Wire stripping tool (cable connecting)

Optional Accessories

- AXIS T91C61 Wall Mount
- AXIS T94S01D Pendant Kit
- AXIS T91C67 Pole Mount
- Sunshield
- Smoked dome cover
- AXIS T8008 PS12 Power Supply
- AXIS T8310 Video Surveillance Control Board
- AXIS T90B Illuminators
- Installation Display

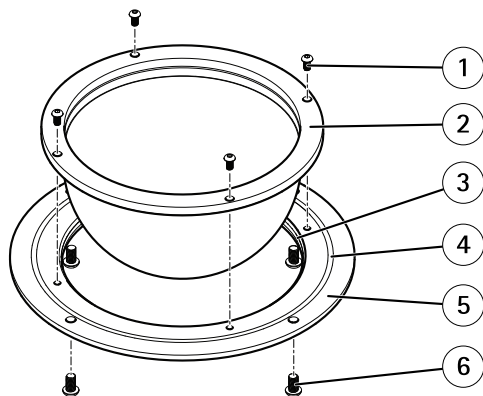
For information about available accessories, see www.axis.com

Hardware Overview



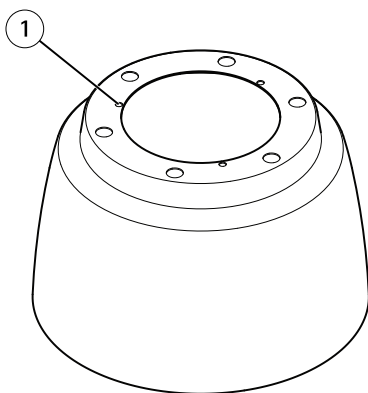
- 1 Mounting hole for sunshield (3x)
- 2 Pressure relief valve
- 3 Multiconnector
- 4 Hook for safety wire
- 5 Guide hole
- 6 Inlet valve
- 7 Mounting hole (3x)
- 8 Part number (P/N) & Serial number (S/N)
- 9 SD card slot (SDHC)
- 10 Status LED indicator
- 11 Control button

Dome Cover



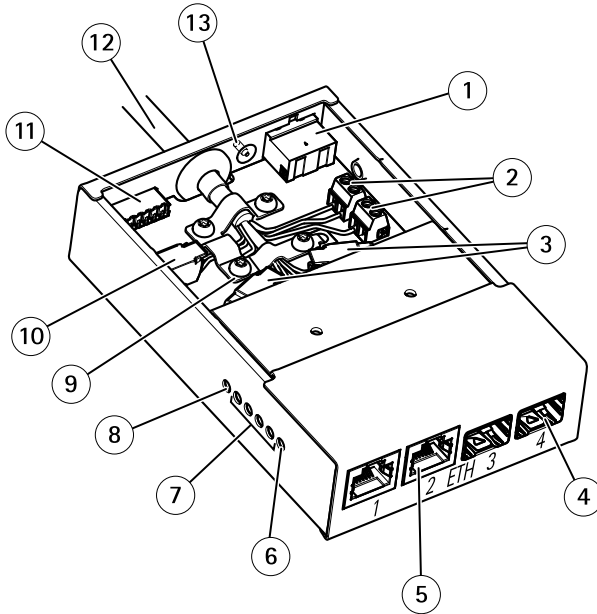
- 1 *Dome bracket screw T25 (4x)*
- 2 *Dome cover*
- 3 *Rubber gasket*
- 4 *Rubber gasket*
- 5 *Dome ring*
- 6 *Dome ring screw T20 (4x)*

Sunshield (Sold Separately)



- 1 *Screw holes*

Media Converter Switch



- 1 Power connector (DC input)
- 2 Power connector (DC output)
- 3 Network connector (internal)
- 4 Network slot SFP (external) (2x)
- 5 Network connector RJ45 (external) (2x)
- 6 Camera LED indicator
- 7 Network LED indicator (4x)
- 8 Power LED indicator
- 9 Ground clip
- 10 I/O connector (internal)
- 11 I/O connector (external)
- 12 Multi-connector cable
- 13 Ground screw

LED Indicators

Status LED	Indication
Unlit	Connection and normal operation.

AXIS Q60-S Series

Green	Shows steady green for 10 seconds for normal operation after startup completed.
Amber	Steady during startup. Flashes during firmware upgrade.
Amber/Red	Flashes amber/red if network connection is unavailable or lost.
Red	Flashes red for firmware upgrade failure.

Media Converter Switch LED Indicators

LED	Color	Indication
Power	Unlit	DC power unconnected or current protection engaged (power overload)
	Green	DC power connected.
Network (4x)	Amber	10 Mbit connection. Flashes during activity.
	Green	100/1000 Mbit connection. Flashes during activity.
Camera	Green	100 Mbit connection. Flashes during activity.

Connectors and Buttons

For specifications and operating conditions, see *page 18*.

Network Connector

NOTICE

The product shall be connected using a shielded network cable (STP). All cables connecting the product to the network shall be intended for their specific use. Make sure that the network devices are installed in accordance with the manufacturer's instructions. For information about regulatory requirements, see *Electromagnetic Compatibility (EMC) on page 2*.

Multi-connector

Terminal connector for connecting the supplied media converter switch, which provides the following signals:

- DC Power
- Network (Ethernet 10/100Base-T)
- Input/Output (I/O)

The supplied multi-connector cable is required in order to maintain the product's NEMA/IP rating. For more information, see *Multi-Connector Cable on page 15*.

SD Card Slot

Supports SD cards with up to 64 GB of storage. For best recording performance, use an SDHC or SDXC card with speed class 10.

Control Button

For location of the control button, see *Hardware Overview on page 11*.

The control button is used for:

- Resetting the product to factory default settings. See *page 31*.
- Connecting to an AXIS Video Hosting System service or AXIS Internet Dynamic DNS Service. For more information about these services, see the User Manual.

Multi-Connector Cable

Note

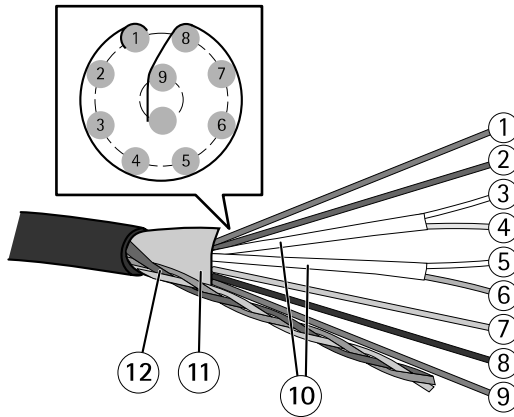
The supplied multi-connector cable is required in order to maintain the camera's NEMA/IP rating.

The multi-connector cable is connected to the camera's multi-connector, see *Hardware Overview on page 11*.

The wires are connected to the supplied media converter switch, see *Media Converter Switch on page 13*.

The cable provides the following signals:

- DC power to camera
- Network (Ethernet 10/100Base-T)
- Input/Output (I/O)



Multi-connector cable overview

- 1 Power wire (red)
- 2 Digital I/O wire (blue)
- 3 Ethernet wire (green/white)
- 4 Ethernet wire (green)
- 5 Ethernet wire (orange/white)
- 6 Ethernet wire (orange)
- 7 Digital I/O wire (yellow)
- 8 Ground wire (black)
- 9 Power wire (red)
- 10 Ethernet wire foil shield (2x)
- 11 Outer foil shield
- 12 Braided shield coil

Function	Pin – wire	Notes	Specifications
Configurable (Input or Output)	2 – blue 7 – yellow	Digital input – Connect to pin 8 to activate, or leave floating (unconnected) to deactivate.	0 to max 30 V DC
		Digital output – Connected to pin 1 when activated, floating (unconnected) when deactivated. If used with an inductive load, e.g. a relay, a diode must be connected in parallel with the load, for protection against voltage transients.	0 to max 30 V DC, open drain, 100 mA
RX+	3 – green/white	Ethernet – receiving	

RX-	4 – green	Ethernet – receiving	
TX+	5 – orange/white	Ethernet – transmitting	
TX-	6 – orange	Ethernet – transmitting	
0 V DC (-)	8 – black		0 V DC
DC output (12 V)	1, 9 – red	Used to power camera	12–13.2 V DC

Media Converter Switch Connectors

For specifications, see *page 18*.

NOTICE

The product shall be connected using a shielded network cable (STP). All cables connecting the product to the network shall be intended for their specific use. Make sure that the network devices are installed in accordance with the manufacturer's instructions. For information about regulatory requirements, see *Electromagnetic Compatibility (EMC) on page 2*.

Important

The media converter switch does not support hotswapping. Disconnect power from the switch before swapping cameras. An attempt to hotswap could cause the switch to freeze, in which case it must be restarted.

Power connector (DC input) – 2-pin terminal block for power input.

Power connector (DC output) – Two 2-pin terminal block for power output (pin 4 is not used).

Network connector RJ45 (external) – Two RJ45 connectors (10/100Base-T) for network connectivity.

Network slot SFP (external) – Two SFP slots (100Base-FX/1000Base-X) for network connectivity.

Each RJ45 and SFP port has its own dip switch. The dip switches control how the port forwards data. For more information, see the User Manual.

Dip switch position		Description of use
Default (middle)	B	When connecting to the network, directly or through a router or network switch.

AXIS Q60-S Series

Left	A	When connecting to a camera or a device that is not intended for viewing data.
Right	C	When connecting to another media converter switch.

Network connector (internal) – Two 2-pin Ethernet terminal blocks.

I/O connector (external) – 6-pin configurable I/O terminal block, which is connected to the camera through the multi-connector cable. Use with external devices in combination with, for example, tampering alarms, motion detection, event triggering, time lapse recording and alarm notifications. In addition to the 0 V DC reference point and power (DC output), the I/O connector provides the interface to:

- **Digital output** – For connecting external devices such as relays and LEDs. Connected devices can be activated by the VAPIX® Application Programming Interface, output buttons on the Live View page or by an Action Rule. The output will show as active (shown under **System Options > Port & Devices > Port Status**) if the alarm device is activated.
- **Digital input** – An alarm input for connecting devices that can toggle between an open and closed circuit, for example: PIRs, door/window contacts, glass break detectors, etc. When a signal is received the state changes and the input becomes active (shown under **System Options > Port & Devices > Port Status**).

I/O connector (internal) – 2-pin I/O terminal block.

Specifications

Operating Conditions

The Axis product is intended for outdoor use.

Product	Classification	Temperature	Humidity
AXIS Q6042-S	IEC 60721-4-3	-30 °C to 50 °C (-22 °F to 122 °F)	10–100% RH (condensing)
AXIS Q6044-S	Class 3K3		
AXIS Q6045-S Mk II	IEC/EN 60529 IP66 ISO 20653 IP6K9K		

Storage Conditions

The Axis product is intended for outdoor use.

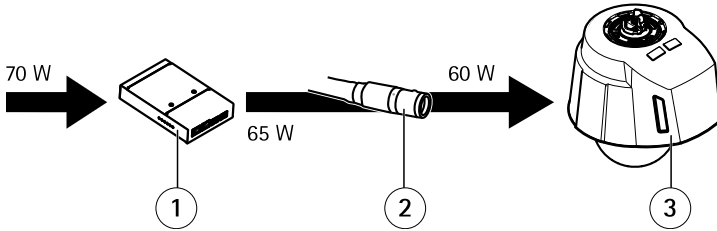
Product	Temperature
AXIS Q6042-S	-40 °C to 60 °C (-40 °F to 140 °F)
AXIS Q6044-S	
AXIS Q6045-S Mk II	

Electrical Specification

NOTICE

For confirmed compliance with the requirements for Safety Extra Low Voltage (SELV) and Limited Power Source (LPS), use the power supply (sold separately) recommended by Axis. For information about compatible power accessories, see www.axis.com

Product	Function	Description
AXIS Q6042-S AXIS Q6044-S AXIS Q6045-S Mk II	Input power	12 V DC, max 60 W
Media converter switch	Input voltage	12.0–13.2 V DC
	Input power	70 W (min)
	Available output power	65 W (min)
	Nominal output voltage	12.5 V DC



- 1 Media converter switch
- 2 Multi-connector cable
- 3 Network camera

AXIS Q60-S Series

Connectors

SD Card Slot

Supports SD cards with up to 64 GB of storage. For best recording performance, use an SDHC or SDXC card with speed class 10.

Media Converter Switch Connectors

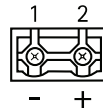
External Connectors

Ground Screw

Ground screw for connecting the media converter switch to earth ground. Make sure that both ends of the grounding wire are in contact with their respective grounding surfaces.

Power connector

2-pin terminal block for power input.

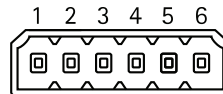


Function		Pin	Notes	Specifications
DC input	0 V DC (-)	1		0 V DC
	12 V DC	2	Power in from power supply (sold separately)	12.0-13.2 V DC, min 75 W

I/O terminal connector

6-pin terminal blocks for:

- Digital Input/Output
- Power (DC output)
- 0 V DC (-)



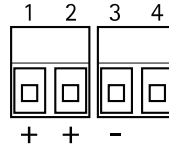
Function	Pin	Notes	Specifications
0 V DC (-)	1, 4, 6		0 V DC
DC output	2	Power out	12 V DC, 50 mA

Configurable I/O 1 (Input or Output)	3	Digital input	0 to max 30 V DC
		Digital output (transistor – open collector)	0 to max 30 V DC, open drain, 100 mA
Configurable I/O 2 (Input or Output)	5	Digital input	0 to max 30 V DC
		Digital output (transistor – open collector)	0 to max 30 V DC, open drain, 100 mA

Camera Connectors

Power connector

Two 2-pin terminal blocks for power output (pin 4 is not used).



Function		Pin	Notes	Specifications
DC output	12 V DC	1, 2	Power out to camera	12.0-13.2 V DC, min 70 W
	0 V DC (-)	3		0 V DC
	N/a	4	N/a	

Network connector

Two 2-pin Ethernet terminal blocks.



I/O terminal connector

2-pin terminal block.



Install the Hardware

NOTICE

- Due to local regulations or the environmental and electrical conditions in which the product is to be used, a shielded network cable (STP) may be appropriate or required. All cables connecting the product to the network and that are routed outdoors or in demanding electrical environments shall be intended for their specific use. Make sure that the network devices are installed in accordance with the manufacturer's instructions. For information about regulatory requirements, see *Regulatory Information on page 2*.
- Mount the product with the dome cover facing downward.
- Be careful not to scratch, damage or leave fingerprints on the dome cover because this could decrease image quality. If possible, keep the protective plastic on the dome cover until the installation is complete.

The Axis product can be installed with the cables routed through or along the wall or roof.

Read all the instructions before installing the product. Some installation steps would benefit from being completed together because they require removal of the dome cover.

A hardware installation can include the following:

- The product is supplied with a clear dome cover (premounted). A smoked dome cover is available as an accessory. To replace the dome cover, see *page 22*.
- A standard or high capacity SD card (not included) can be used to store recordings locally in the product. To install an SD card, see *page 23*.
- To install the product using a T91C61 Wall Mount (sold separately), see *page 29*.

Attach the Sunshield

Attaching the sunshield is optional. The sunshield helps keep the temperature inside the camera down.

1. Remove the screw plugs from the camera unit.
2. Place the sunshield on the camera unit.
3. Secure the sunshield using the supplied screws.

Replace the Dome Cover

Replacing the dome cover is only necessary if you want to use a smoked dome cover or if the dome cover is scratched or damaged. Smoked dome covers and spare clear dome covers can be purchased from your Axis reseller.

Use the Installation Guide delivered with the dome cover.

Install an SD Card

It is optional to install an SD card (not included), which can be used for local recording with removable storage.

1. Loosen the dome ring screws and remove the dome cover.
2. Insert an SD card (not included) into the SD card slot.
3. Attach the dome cover to the top cover and tighten the screws (torque 3.2 Nm).

NOTICE

To prevent corruption of recordings, the SD card should be unmounted before it is ejected. To unmount, go to **Setup > System Options > Storage > SD Card** and click **Unmount**.

Pressurize the Camera (Recommended)

The camera housing can be filled with Nitrogen gas to prevent condensation.

The filling process is repeated three times, releasing the pressure between fillings, to make sure that all air and humidity is purged from the housing.

Note

The camera housing has an pressure relief valve that limits the filling pressure to 0.5 bar (7 psi). During normal use the pressure inside the camera housing may drop below that pressure. For full protection make sure that the pressure is above 0.2 bar (3 psi) .

1. Set the regulator gauge on the gas cylinder to 0.5 bar (7 psi).
2. Remove the caps from the inlet valve and the pressure relief valve.
3. Place the chuck on the inlet valve and press down to fill the camera with nitrogen.
4. When the pressure inside the camera housing reaches 0.5 bar (7 psi) the pressure relief valve will open. Place your hand over the pressure relief valve to verify that the gas is flowing out.
5. Keep the gas flowing through the camera housing for one minute before removing the chuck from the inlet valve.
6. Lift the pressure relief valve to let the overpressure out of the camera unit.
7. Repeat the filling process a total of 3 times, leaving the the camera pressurized the last time.
8. Put the caps back on the inlet valve and the pressure relief valve.

Install the Power Supply and the Media Converter Switch

The supplied media converter switch enables the multi-connector cable to send power from the power supply (sold separately) and to send and receive data to and from external alarm devices and the network.

AXIS Q60-S Series

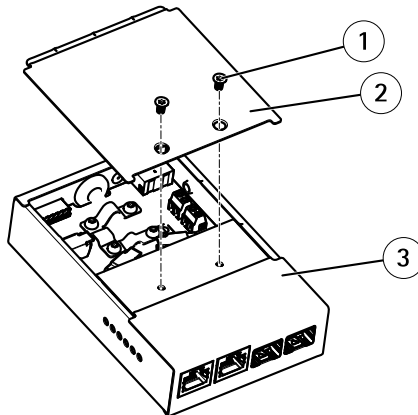
NOTICE

- Make sure the connections to the mains supply and conduits have been installed by a trained professional, according to the manufacturer's instructions and in compliance with local regulations.
- The power supply (sold separately) and the media converter switch shall be installed in an environment protected against dust and water, for example indoors or in an appropriate cabinet.
- Due to local regulations or the environmental and electrical conditions in which the product is to be used, a shielded network cable (STP) may be appropriate or required. All cables connecting the product to the network and that are routed outdoors or in demanding electrical environments shall be intended for their specific use. Make sure that the network devices are installed in accordance with the manufacturer's instructions. For information about regulatory requirements, see *Regulatory Information on page 2*.

Important

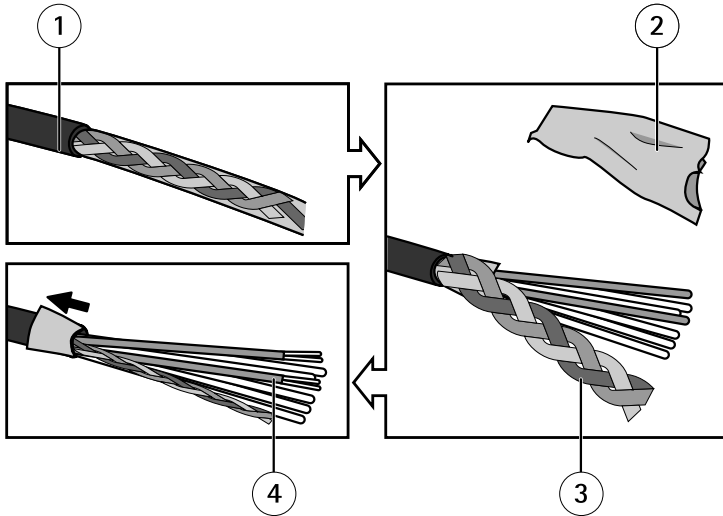
Axis can only guarantee full functionality with the supplied media converter switch. No other devices are supported.

1. Make sure the mains supply is switched off.
2. Mount the power supply and the media converter switch on the wall or, if applicable, attach them to a DIN rail in the cabinet. If drilling is required, make sure to use drill bits, screws, and plugs that are appropriate for the material.
3. Loosen the screws and remove the cover from the media converter switch.



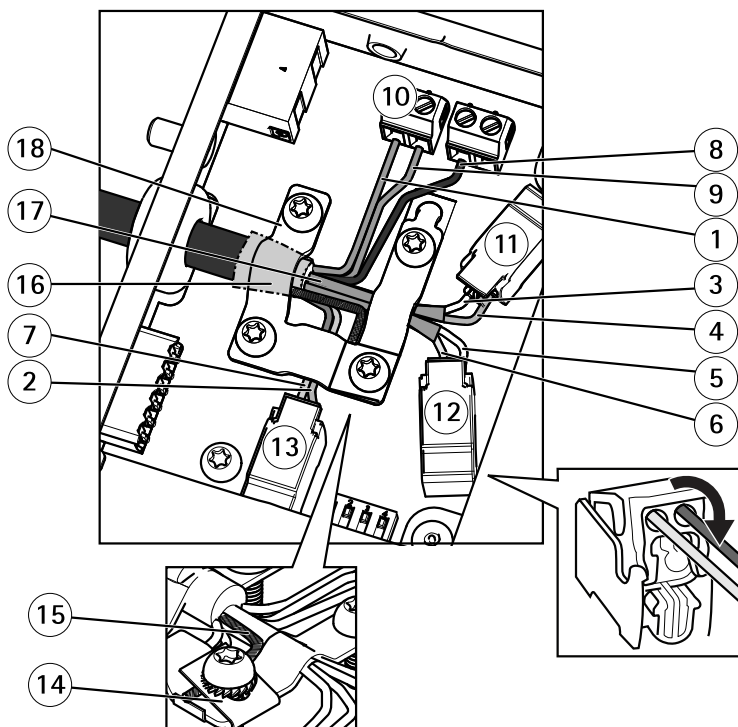
- 1 Screw (2x)
- 2 Cover
- 3 Media converter switch

4. Strip off 40 mm (1.57 in) of the multi-connector cable jacket.
5. Leave the braided shield intact, but cut off 30 mm (1.18 in) of the outer foil shield.
6. Fold back the leftover outer foil shield and twist the braided shield into a coil.
7. Cut off about 7–8 mm (0.27–0.32 in) of the Ethernet wire foil shields.
8. Strip off about 4–5 mm (0.16–0.20 in) of the power wire jackets.



- 1 *Multi-connector cable jacket*
- 2 *Outer foil shield*
- 3 *Braided shield*
- 4 *Ethernet wire foil shield (2x)*

9. Connect the network and I/O wires to the internal network and I/O connectors. Open the lid, insert the wires and close.
10. Connect the ground and power wires to the power connector (DC output).



- 1 Power wire (red)
- 2 Digital I/O wire (blue)
- 3 Ethernet wire (green/white)
- 4 Ethernet wire (green)
- 5 Ethernet wire (orange/white)
- 6 Ethernet wire (orange)
- 7 Digital I/O wire (yellow)
- 8 Ground wire (black)
- 9 Power wire (red)
- 10 Power connector (DC output)
- 11 Ethernet connector (internal)
- 12 Ethernet connector (internal)
- 13 I/O connector (internal)
- 14 Ground clip
- 15 Braided shield coil
- 16 Outer foil shield
- 17 Ethernet wire shield (2x)
- 18 Clamp

11. Make sure the clamp is in place, insert the braided shield coil into the ground clip and tighten the screws.

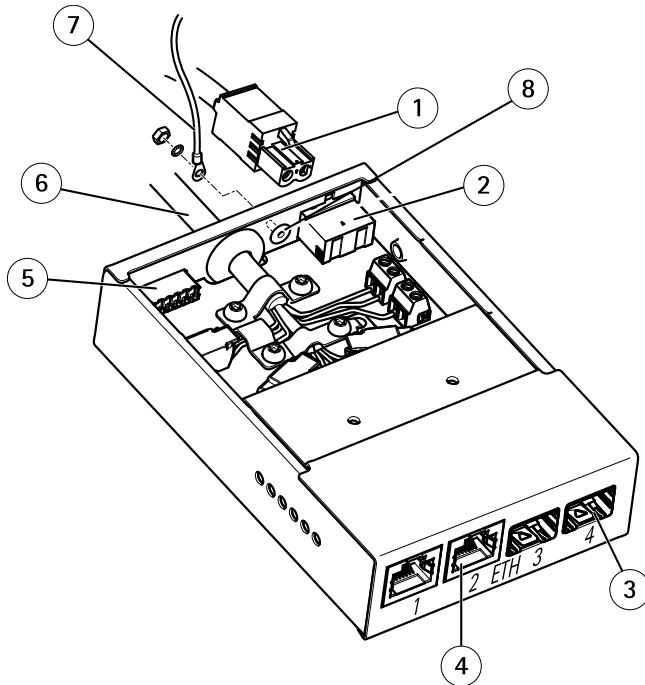
NOTICE

- The shields and the clamp surfaces shall be in full contact with each other so that the multi-connector cable is grounded.
- Make sure that the multi-connector cable jacket is firmly secured by the clamp.
- Make sure all surfaces and contacts are clean and free from scrap shield material.

12. Connect the network cables to the external network connectors (RJ45, SFP) as required.

Note

An SFP module (not included) has to be used when connecting an optical fiber cable.



- 1 Power cable (DC input)
- 2 Power connector (DC input)
- 3 Network connector SFP (external) (2x)
- 4 Network connector RJ45 (external) (2x)
- 5 I/O connector (external)
- 6 Multi-connector cable IP66

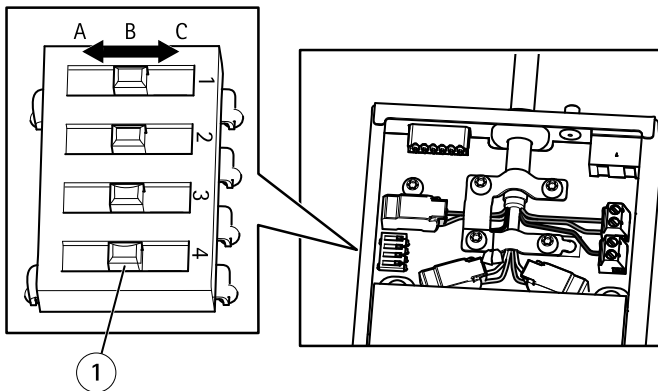
- 7 Ground wire
- 8 Ground screw

- 13. If applicable, connect an I/O device to the external I/O connector.
- 14. Connect the power cable (DC input) to the power connector (DC input) via the terminal block plug.
- 15. Attach the ground wire to the ground screw (position 8 in the illustration).
- 16. If connecting several media converter switches in a daisy chain, set the dip switch of each outgoing network connector port that connects to another media converter switch to position C.

Leave the dip switch in its default position (position B) when connecting the port directly to the network. For more information, see *Media Converter Switch Connectors on page 17* and the User Manual.

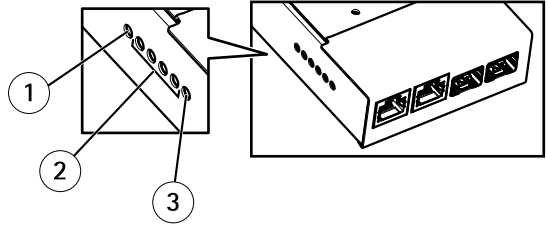
Important

If the system is not defined, use the default dip switch setting (position B).



1 Dip switch (4x)

- 17. Attach the cover to the media converter switch.
- 18. Switch on the mains supply.
- 19. Make sure the LED indicators on the media converter switch indicate the correct conditions. For more information, see *Media Converter Switch LED Indicators on page 14*.



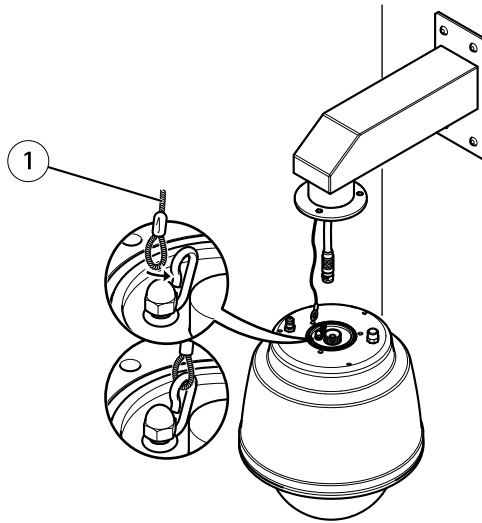
- 1 Power LED indicator
- 2 Network LED indicator (4x) ETH 1/2/3/4
- 3 Camera LED indicator

Install the Network Camera

NOTICE

To comply with the IP66-rated design of the camera and maintain the IP66 protection, the supplied multi-connector cable shall be used.

1. Install the selected bracket (sold separately) according to the instructions supplied with the bracket. If drilling is required, make sure to use drill bits, screws, and plugs that are appropriate for the material. See www.axis.com for information on available mounting accessories.
2. Route the multi-connector cable through the holes in the mounting bracket.
3. Secure the camera using the supplied safety wire.



Mounting example (wall bracket sold separately)

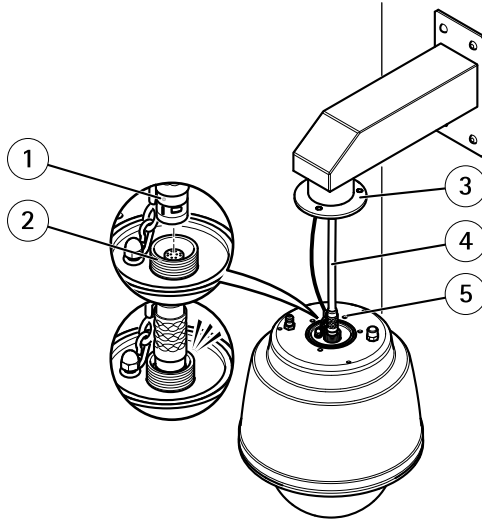
1 Safety wire

4. Remove the protection cap covering the multi-connector on the camera.
5. Connect the multi-connector cable to the connector on the camera. Use the alignment indicators to find the correct position.

NOTICE

Be careful not to damage the multi-connector cable when connecting it.

6. Align the guide hole in the camera with the guide pin in the flange and fasten the network camera to the mounting bracket with the screws.



Mounting example (wall bracket sold separately)

- 1 Alignment indicator – multi-connector cable
- 2 Alignment indicator – camera
- 3 Flange
- 4 Multi-connector cable
- 5 Guide hole

Access the Product

Use the tools provided on the Installation and Management Software CD to assign an IP address, set the password and access the video stream. This information is also available from the support pages on www.axis.com/techsup/

Reset to Factory Default Settings

Important

Reset to factory default should be used with caution. A reset to factory default will reset all settings, including the IP address, to the factory default values.

Note

The installation and management software tools are available on the CD supplied with the product and from the support pages on www.axis.com/techsup

To reset the product to the factory default settings:

1. Disconnect power from the product.
2. Press and hold the control button and reconnect power. See *Hardware Overview on page 11*.
3. Keep the control button pressed for about 15–30 seconds until the status LED indicator flashes amber.
4. Release the control button. The process is complete when the status LED indicator turns green. The product has been reset to the factory default settings. If no DHCP server is available on the network, the default IP address is 192.168.0.90
5. Using the installation and management software tools, assign an IP address, set the password, and access the video stream.

It is also possible to reset parameters to factory default via the web interface. Go to **Setup > System Options > Maintenance**.

Further Information

The User Manual is available at www.axis.com

Visit www.axis.com/techsup to check if there is updated firmware available for your network product. To see the currently installed firmware version, go to **Setup > About**.

Visit Axis learning center www.axis.com/academy for useful trainings, webinars, tutorials and guides.

Warranty Information

For information about Axis' product warranty and thereto related information, see www.axis.com/warranty/

Informations sur la sécurité

Lisez attentivement ce guide d'installation avant d'installer l'appareil. Conservez le guide d'installation pour toute référence ultérieure.

Niveaux de risques

▲ DANGER

Indique une situation dangereuse qui, si elle n'est pas évitée, entraînera le décès ou des blessures graves.

▲ AVERTISSEMENT

Indique une situation dangereuse qui, si elle n'est pas évitée, pourrait entraîner le décès ou des blessures graves.

▲ ATTENTION

Indique une situation dangereuse qui, si elle n'est pas évitée, pourrait entraîner des blessures légères ou modérées.

AVIS

Indique une situation qui, si elle n'est pas évitée, pourrait endommager l'appareil.

Autres niveaux de message

Important

Indique les informations importantes, nécessaires pour assurer le bon fonctionnement de l'appareil.

Note

Indique les informations utiles qui permettront d'obtenir le fonctionnement optimal de l'appareil.

Consignes de sécurité

▲AVERTISSEMENT

- Le produit Axis doit être installé par un professionnel habilité.

AVIS

- Le produit Axis doit être utilisé conformément aux lois et réglementations locales en vigueur.
- Conserver ce produit Axis dans un environnement sec et ventilé.
- Ne pas exposer ce produit Axis aux chocs ou aux fortes pressions.
- Ne pas installer ce produit sur des supports, surfaces ou murs instables.
- Utiliser uniquement des outils recommandés pour l'installation de l'appareil Axis. Une force excessive appliquée sur l'appareil pourrait l'endommager.
- Ne pas utiliser de produits chimiques, de substances caustiques ou de nettoyeurs pressurisés.
- Utiliser un chiffon propre imbibé d'eau pure pour le nettoyage.
- Utiliser uniquement des accessoires conformes aux caractéristiques techniques du produit. Ils peuvent être fournis par Axis ou un tiers.
- Utiliser uniquement les pièces de rechange fournies ou recommandées par Axis.
- Ne pas essayer de réparer ce produit par vous-même. Contacter l'assistance technique d'Axis ou votre revendeur Axis pour des problèmes liés à l'entretien.

Transport

AVIS

- Conservez l'emballage de protection. Lors du transport du produit Axis, l'emballage de protection doit être remis dans sa position d'origine.
- Lors du transport du produit Axis, utilisez l'emballage d'origine ou un équivalent pour éviter d'endommager le produit.

Batterie

Le produit Axis utilise une batterie au lithium BR/CR2032 3,0 V comme alimentation de son horloge en temps réel interne (RTC). Dans des conditions normales, cette batterie a une durée de vie minimale de cinq ans.

Si la batterie est faible, le fonctionnement de l'horloge en temps réel peut être affecté et entraîner sa réinitialisation à chaque mise sous tension. Un message enregistré apparaît dans le rapport de serveur du produit lorsque la batterie doit être remplacée. Pour tout complément d'information

concernant le rapport de serveur, reportez-vous aux pages de Configuration du produit ou contactez l'assistance technique d'Axis.

La batterie doit être remplacée uniquement en cas de besoin, et pour ce faire, contactez l'assistance technique d'Axis à l'adresse www.axis.com/techsup et obtenir de l'aide.

▲AVERTISSEMENT

- Risque d'explosion si la batterie est remplacée de façon incorrecte.
- Remplacez-la uniquement par une batterie identique ou une batterie recommandée par Axis.
- Mettez au rebut les batteries usagées conformément aux réglementations locales ou aux instructions du fabricant de la batterie.

Couvercle de dôme

AVIS

- Veillez à ne pas rayer, endommager ou laisser d'empreintes sur le couvercle du dôme car cela pourrait altérer la qualité d'image. Laissez, si possible, la protection en plastique sur le couvercle du dôme jusqu'à la fin de l'installation.
- Ne nettoyez pas le couvercle du dôme s'il semble propre à l'œil nu et ne frottez jamais sa surface. Un nettoyage excessif pourrait endommager la surface.
- Pour le nettoyage général du couvercle du dôme, il est recommandé d'utiliser un produit non abrasif, un savon neutre sans solvant ou un détergent mélangé avec de l'eau pure et un chiffon doux propre. Rincez bien à l'eau tiède pure. Séchez avec un chiffon doux et propre pour éviter les taches d'eau.
- N'utilisez jamais de détergents agressifs ou d'alcools (isopropylique, butylique, propylique) et évitez toute exposition directe aux rayons du soleil ou à des températures élevées lors du nettoyage.

Guide d'installation

Ce Guide d'installation fournit des instructions pour l'installation de la caméra dôme réseau PTZ AXIS Q6042-S, la caméra dôme réseau PTZ AXIS Q6044-S ou la caméra dôme réseau PTZ AXIS Q6045-S Mk II sur votre réseau. Pour toute autre information relative à l'utilisation du produit, reportez-vous au manuel de l'utilisateur disponible sur le site www.axis.com

Procédures d'installation

1. Assurez-vous que les outils et autres matériels nécessaires à l'installation sont inclus dans l'emballage. Cf. *page 37*.
2. Consultez la description du matériel. Cf. *page 39*.
3. Étudiez les caractéristiques. Cf. *page 47*.
4. Installez le matériel. Cf. *page 50*.
5. Utilisez le produit. Cf. *page 60*.

Contenu de l'emballage

- Caméra dôme réseau PTZ AXIS Q6042-S, caméra dôme réseau PTZ AXIS Q6044-S ou caméra dôme réseau PTZ AXIS Q6045-S Mk II
- Commutateur de convertisseur de média AXIS T8605
- Câble multiconnecteurs (IP66), 7 m (23 pi.)
- Clip pour rail DIN
- CD d'installation et de gestion
- Documents imprimés
 - Guide d'installation (ce document)
 - Étiquette supplémentaire reprenant le numéro de série (x2)
 - Clé d'authentification AVHS

Outils recommandés

AVIS

L'acier inoxydable résiste à la corrosion, mais de la rouille erratique peut apparaître si le matériel n'est pas manipulé correctement. Utilisez des outils en acier inoxydable pour éviter les taches de rouille ou la formation de piqûres de rouille.

- Tournevis Torx T10 (couvercle, serrage de câble, commutateur du convertisseur de média)
- Tournevis Torx T20 (dépose du couvercle du dôme)
- Tournevis Torx T25 (remplacement du dôme)

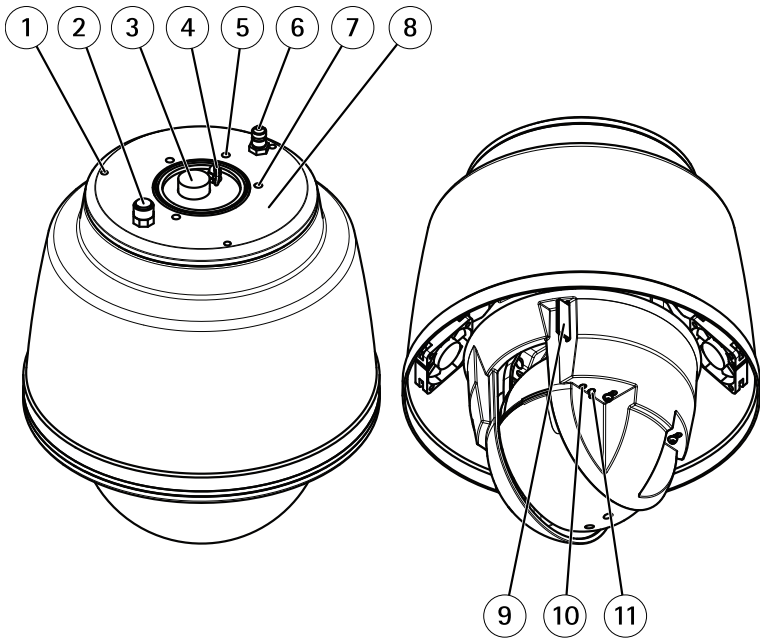
- Tournevis à fente 2,5 mm (prise femelle, commutateur du convertisseur de média)
- Clé 7 mm (vis de mise à la terre, commutateur du convertisseur de média)
- Clé 8 mm (5/16") /prise femelle (pare-soleil, support colonne T91C67 (collier de serrage))
- Clé 10 mm (3/8") /prise femelle (adaptateur de support AXIS T91C61, AXIS T94S01D, support colonne T91C67)
- Pince à sertir pour cosses de câble (câble de mise à la terre, commutateur du convertisseur de média)
- Pince coupante diagonale (câbles)
- Outil de dénudage de câble (raccordement de câble)

Accessoires en option

- Montage mural AXIS T91C61
- Kit de suspension AXIS T94S01D
- Fixation pour poteau AXIS T91C67
- Pare-soleil
- Couvercle de dôme fumé
- Alimentation AXIS T8008 PS12
- Tableau de contrôle de vidéosurveillance AXIS T8310
- Illuminateurs AXIS T90B
- Moniteur d'installation

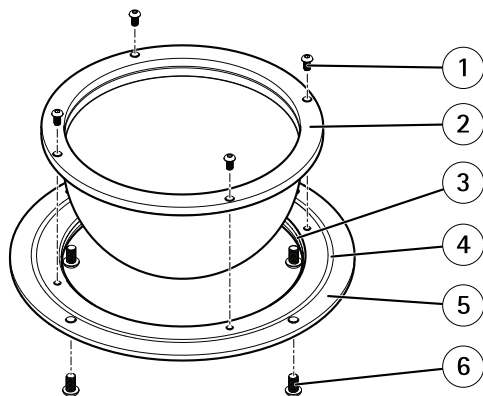
Pour plus d'informations sur les accessoires disponibles, consultez le site www.axis.com

Aperçu du matériel



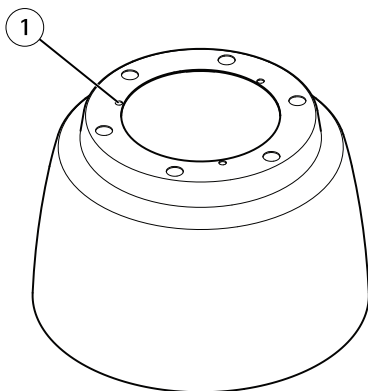
- 1 *Trou pour le montage du pare-soleil (x3)*
- 2 *Soupape de surpression*
- 3 *Multiconnecteurs*
- 4 *Crochet pour câble de sécurité*
- 5 *Trou latéral*
- 6 *Vanne d'admission*
- 7 *Trou de fixation (x3)*
- 8 *Référence (P/N) et numéro de série (S/N).*
- 9 *Fente pour carte SD (SDHC)*
- 10 *Voyant d'état*
- 11 *Bouton de commande*

Couvercle de dôme



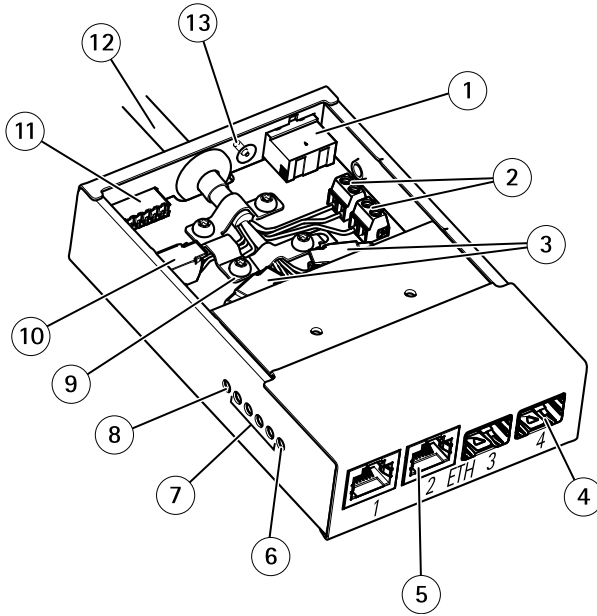
- 1 *Vis du support pour caméra dôme T25 (x4)*
- 2 *Couvercle de dôme*
- 3 *Joint en caoutchouc*
- 4 *Joint en caoutchouc*
- 5 *Garniture pour caméra dôme*
- 6 *Vis de la garniture pour caméra dôme T20 (x4)*

Pare-soleil (vendu séparément)



- 1 *Trous de vis*

Commutateur de convertisseur de média



- 1 Connecteur d'alimentation (entrée CC)
- 2 Connecteur d'alimentation (sortie CC)
- 3 Connecteur réseau (interne)
- 4 Emplacement réseau SFP (externe) (x2)
- 5 Connecteur réseau RJ45 (externe) (x2)
- 6 Voyant de la caméra
- 7 Voyant DEL réseau (x4)
- 8 Voyant DEL d'alimentation
- 9 Clip de mise à la masse
- 10 Connecteur E/S (externe)
- 11 Connecteur E/S (externe)
- 12 Câble multiconnecteurs
- 13 Vis de mise à la terre

Voyants

Voyant	Couleur	Indication
État	Éteint	Branchement et fonctionnement normal
	Orange	Fixe pendant le démarrage. Clignote pendant la mise à niveau du microprogramme.
	Orange / rouge	Clignote en orange / rouge en cas d'indisponibilité ou de perte de la connexion réseau.
	Rouge	Clignote en rouge en cas d'échec de la mise à niveau du microprogramme.
	Vert	Vert fixe pendant 10 secondes pour indiquer un fonctionnement normal après le redémarrage.

Voyants du commutateur de convertisseur de média

Voyant	Couleur	Indication
Alimentation	Éteint	Alimentation CC déconnectée ou dispositif de protection ampère-métrique activé (surcharge)
	Vert	Alimentation CC connectée.
Réseau (x4)	Orange	Connexion 10 Mbit. Clignote pendant l'activité.
	Vert	Connexion 100/1 000 Mbit. Clignote pendant l'activité.
Caméra	Vert	Connexion 100 Mbit. Clignote pendant l'activité.

Connecteurs et boutons

Pour les caractéristiques et les conditions d'utilisation, consultez *page 47*.

Connecteur réseau

AVIS

Le produit doit être connecté à l'aide d'un câble réseau blindé (STP). Tous les câbles reliant le produit au commutateur réseau doivent être destinés à leur usage spécifique. Assurez-vous que les périphériques réseau sont installés conformément aux instructions du fabricant. Pour plus d'informations sur les exigences réglementaires, consultez *Electromagnetic Compatibility (EMC) on page 2*.

Multiconnecteurs

Connecteur de terminal pour le branchement du contacteur de convertisseur de support inclus, qui fournit les signaux suivants :

- Alimentation CC
- Réseau (Ethernet 10/100Base-T)
- Entrée/sortie (E/S)

Le câble multiconnecteurs fourni permet de maintenir la classification NEMA/IP du produit. Pour en savoir plus, consultez *Câble multiconnecteurs* page 43.

Emplacement pour carte SD

Prise en charge des cartes SD jusqu'à 64 Go. Pour des performances d'enregistrement optimales, utilisez une carte SDHC ou SDXC de classe 10.

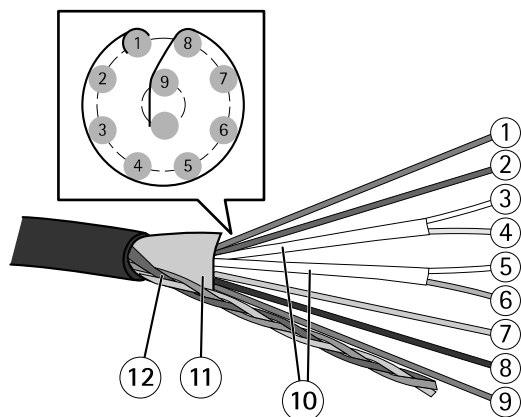
Bouton de commande

Le bouton de commande permet de réaliser les opérations suivantes :

- Réinitialisation du produit aux paramètres d'usine par défaut. Cf. *page 60*.
- Connexion au service du Système d'hébergement vidéo AXIS ou au service AXIS Internet Dynamic DNS. Pour plus d'informations sur ces services, reportez-vous au Manuel de l'utilisateur.

Câble multiconnecteurs

Le câble multiconnecteurs fourni sert à maintenir la classification NEMA/IP de la caméra.



Vue d'ensemble du câble multiconnecteurs

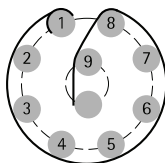
- 1 Fil d'alimentation (rouge)
- 2 Fil de réseau E/S numérique (bleu)
- 3 Câble Ethernet (vert/blanc)
- 4 Câble Ethernet (vert)
- 5 Câble Ethernet (orange/blanc)
- 6 Câble Ethernet (orange)
- 7 Fil de réseau E/S numérique (jaune)
- 8 Fil de mise à la masse (noir)
- 9 Fil d'alimentation (rouge)
- 10 Feuille de blindage du câble Ethernet (x2)
- 11 Feuille extérieure du blindage
- 12 Bobine de blindage tressé

Le câble multiconnecteurs est branché au port multiconnecteurs de la caméra, reportez-vous à *Aperçu du matériel* page 39.

Les câbles sont raccordés au commutateur de convertisseur de média fourni, reportez-vous à *Commutateur de convertisseur de média* page 41.

Le câble fournit les signaux suivants :

- Alimentation CC vers la caméra
- Réseau (Ethernet 10/100Base-T)
- Entrée/sortie (E/S)



Fonction	Broche – câble	Notes	Caractéristiques
Configurable (entrée ou sortie)	2 – bleu 7 – jaune	Entrée numérique – Connectez-la à la broche 8 pour l'activer ou laissez-la flotter (déconnectée) pour la désactiver.	0 à 30 V CC max.
		Sortie numérique – Connectée à la broche 1 lorsqu'elle est activée, flotte (déconnectée) lorsqu'elle est désactivée. Si vous l'utilisez avec une charge inductive, par exemple un relais, une diode doit être connectée en parallèle avec la charge, en guise de protection contre les tensions transitoires.	0 à 30 V CC max., drain ouvert, 100 mA
RX+	3 – vert/blanc	Ethernet – réception	
RX-	4 – vert	Ethernet – réception	
TX+	5 – orange/blanc	Ethernet – transmission	
TX-	6 – orange	Ethernet – transmission	
0 V CC (-)	8 – noir		0 V CC
Sortie V c.c. (12 V)	1, 9 – rouge	Utilisée pour alimenter la caméra	12–13,2 V c.c.

Connecteurs du commutateur de convertisseur de média

Pour les caractéristiques, consultez *page 47*.

AVIS

Le produit doit être connecté à l'aide d'un câble réseau blindé (STP). Tous les câbles reliant le produit au commutateur réseau doivent être destinés à leur usage spécifique. Assurez-vous que les périphériques réseau sont installés conformément aux instructions du fabricant. Pour plus d'informations sur les exigences réglementaires, consultez *Electromagnetic Compatibility (EMC) on page 2*.

Important

Le commutateur de convertisseur de média ne peut être remplacé à chaud. Déconnectez l'alimentation du commutateur avant de remplacer les caméras. Un remplacement à chaud peut bloquer le commutateur, auquel cas il doit être redémarré.

Connecteur d'alimentation (entrée CC) – Bloc terminal à 2 broches pour l'alimentation.

AXIS Q60-S Series

Connecteur d'alimentation (sortie CC) – Bloc terminal à 2 broches pour la sortie d'alimentation (la broche 4 n'est pas utilisée).

Connecteur réseau RJ45 (externe) – Deux connecteurs RJ45 (10/100Base-T) pour la connectivité réseau.

Emplacement réseau SFP (externe) – Deux emplacements SFP (100Base-FX/1000Base-X) pour la connectivité réseau.

Chaque port RJ45 et SFP utilise son propre commutateur DIP. Les commutateurs DIP contrôlent la transmission des données par le port. Pour plus d'informations, reportez-vous au manuel de l'utilisateur.

Position du commutateur DIP		Utilisation
Défaut (milieu)	B	Lors de la connexion au réseau, directement ou à travers un routeur ou un commutateur de réseau.
Gauche	A	Lors de la connexion d'une caméra ou d'un appareil qui n'est pas réservé à la visualisation des données.
Droit	C	Lors de la connexion à un autre commutateur de convertisseur de média.

Connecteur réseau (interne) – Blocs terminaux Ethernet à 2 broches.

Connecteur E/S (externe) – Bloc terminal E/S configurable à 6 broches qui est connecté à la caméra à travers le câble multiconnecteurs. Utilisez avec des périphériques externes associés aux applications telles que les alarmes de détérioration, la détection de mouvement, le déclenchement d'événements, l'enregistrement à intervalles et les notifications d'alarme. En plus du point de référence 0 V CC et de l'alimentation (sortie CC), le connecteur d'E/S fournit une interface aux éléments suivants :

- **Sortie numérique** – Permet de connecter des dispositifs externes, comme des relais ou des voyants. Les appareils connectés peuvent être activés par l'interface de programmation VAPIX®, des boutons de sortie sur la page Live View (Vidéo en direct) ou par une règle d'action. La sortie est considérée comme étant active (affichée dans **System Options > Port Et Devices > Port Status** (Options du système > Port et périphériques > État du port)) si le dispositif de l'alarme est activé.
- **Entrée numérique** – Entrée d'alarme utilisée pour connecter des dispositifs pouvant passer d'un circuit ouvert à un circuit fermé, par exemple : détecteurs infrarouge passifs, contacts de porte/fenêtre, détecteurs de bris de verre, etc. À la réception d'un signal, l'état change et l'entrée s'active (sous **System Options > Port Et Devices > Port Status** (Options du système > Port et dispositifs > État du port)).

Connecteur E/S (externe) – Bloc terminal E/S à 2 broches.

Caractéristiques techniques

Conditions d'utilisation

L'appareil Axis est uniquement destiné à des utilisations en extérieur.

Produit	Classification	Température	Humidité
AXIS Q6042-S	IEC 60721-4-3 Classe 3K3 IEC/EN 60529 IP66 ISO 20653 IP6K9K	- 30 °C à 50 °C (- 22 °F à 122 °F)	Humidité relative de 10% avec condensation)
AXIS Q6044-S			
AXIS Q6045-S Mk II			

FRANÇAIS

Conditions de stockage

L'appareil Axis est uniquement destiné à des utilisations en extérieur.

Produit	Température
AXIS Q6042-S	-40 °C à 60 °C (-40 °F à 140 °F)
AXIS Q6044-S	
AXIS Q6045-S Mk II	

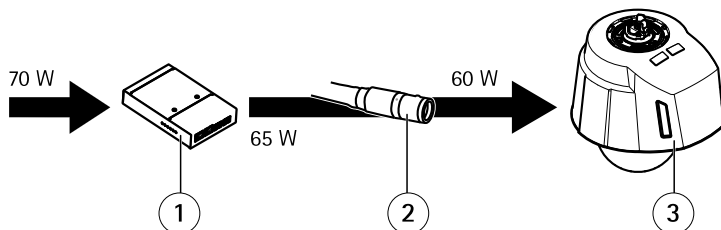
Caractéristiques électriques

AVIS

Afin de satisfaire aux exigences de Très basse tension de sécurité (TBTS) et de source d'alimentation limitée (LPS), utilisez le bloc d'alimentation (vendu séparément) recommandé par Axis. Pour plus d'informations sur les accessoires d'alimentation compatibles, consultez le site Web www.axis.com

Produit	Fonction	Description
AXIS Q6042-S AXIS Q6044-S AXIS Q6045-S Mk II	Puissance d'entrée	12 V CC, max 60 W

Commutateur de convertisseur de média	Tension d'entrée	12,0–13,2 V CC
	Puissance d'entrée	70 W (min)
	Puissance de sortie disponible	65 W (min)
	Tension de sortie nominale	12,5 V CC



- 1 Commutateur de convertisseur de média
- 2 Câble multiconnecteurs
- 3 Caméra réseau

Connecteurs

Emplacement pour carte SD

Prise en charge des cartes SD jusqu'à 64 Go. Pour des performances d'enregistrement optimales, utilisez une carte SDHC ou SDXC de classe 10.

Connecteurs du commutateur de convertisseur de média

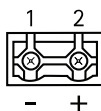
Connecteurs externes

Vis de mise à la terre

Vis de mise à la terre pour raccorder à la terre le commutateur de convertisseur de média. Assurez-vous que les deux extrémités du câble de mise à la terre sont en contact avec les surfaces de mise à la terre correspondantes.

Connecteur d'alimentation

Bloc terminal à 2 broches pour l'alimentation.

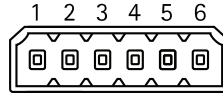


Fonction		Broche	Notes	Caractéristiques
Entrée CC	0 V CC (-)	1		0 V CC
	12 V CC	2	Entrée de courant provenant de l'alimentation (vendue séparément)	12,0-13,2 V CC, min 75 W

Connecteur pour terminal E/S

Bloc terminal à 6 broches pour :

- Entrée/sortie (E/S) numérique
- Alimentation (Sortie CC)
- 0 V CC (-)

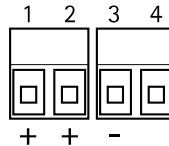


Fonction	Broche	Notes	Caractéristiques
0 V CC (-)	1, 4, 6		0 V CC
Sortie CC	2	Sortie d'alimentation	12 V CC, 50 mA
Configurable E/S 1 (entrée ou sortie)	3	Entrée numérique	0 à 30 V CC max.)
		Sortie numérique (transistor – collecteur ouvert)	0 à 30 V CC max., drain ouvert, 100 mA
Configurable E/S 2 (entrée ou sortie)	5	Entrée numérique	0 à 30 V CC max.
		Sortie numérique (transistor – collecteur ouvert)	0 à 30 V CC max., drain ouvert, 100 mA

Connecteurs de la caméra

Connecteur d'alimentation

Blocs terminaux à 2 broches pour la sortie d'alimentation (la broche 4 n'est pas utilisée).



AXIS Q60-S Series

Fonction	Broche	Notes	Caractéristiques
Sortie CC	12 V CC	1, 2	Sortie d'alimentation vers la caméra 12,0-13,2 V CC, min 70 W
	0 V CC (-)	3	0 V CC
	Sans objet	4	Sans objet

Connecteur réseau

Blocs terminaux Ethernet à 2 broches.



Connecteur pour terminal E/S

Bloc terminal à 2 broches.



Installation du matériel

AVIS

- Les réglementations locales ou les conditions environnementales et électriques dans lesquelles le produit est utilisé peuvent nécessiter l'utilisation d'un câble réseau blindé (STP). Tous les câbles réseau qui sont acheminés à l'extérieur ou dans des environnements électriques exigeants doivent être destinés à leur usage spécifique. Assurez-vous que les périphériques réseau sont installés conformément aux instructions du fabricant. Pour plus d'informations sur les exigences réglementaires, consultez *Regulatory Information* on page 2.
- Fixez le produit en orientant le couvercle du dôme vers le bas.
- Veillez à ne pas rayer, endommager ou laisser d'empreintes sur le couvercle du dôme car cela pourrait altérer la qualité d'image. Laissez, si possible, la protection en plastique sur le couvercle du dôme jusqu'à la fin de l'installation.

Le produit Axis peut être installé avec des câbles acheminés à travers ou le long du mur ou du toit.

Lisez toutes les instructions avant l'installation de l'appareil. Il serait préférable de réaliser certaines étapes en même temps parce qu'elles exigent le retrait du couvercle du dôme.

Une installation matérielle peut inclure les éléments suivants :

- Le produit est fourni avec un couvercle de dôme non fumé (prémonté). Un couvercle de dôme fumé est disponible en tant qu'accessoire. Pour remplacer le couvercle du dôme, reportez-vous à *page 51*.
- Une carte SD standard ou à haute capacité (non fournie) peut être utilisée pour sauvegarder des enregistrements dans l'appareil. Pour installer une carte SD, reportez-vous à *page 51*.
- Pour installer l'appareil à l'aide d'un support mural T91C61 (vendu séparément), reportez-vous à *page 58*.

Fixation du pare-soleil

La fixation du pare-soleil est facultative. Le pare-soleil permet de maintenir une température basse à l'intérieur de la caméra.

1. Retirez les caches des vis du boîtier de l'unité.
2. Placez le pare-soleil sur les supports de la caméra.
3. Fixez le pare-soleil à l'aide des vis fournies.

Remplacement du couvercle du dôme

Le remplacement du couvercle du dôme est nécessaire seulement si vous souhaitez utiliser un couvercle de dôme fumé ou si le couvercle du dôme est rayé ou endommagé. Les couvercles de dôme fumés et les couvercles de dôme non fumés de rechange peuvent être achetés auprès d'un revendeur Axis.

Utilisez le Guide d'installation fourni avec le couvercle de dôme.

Installation d'une carte SD

Il est possible, en option, d'installer une carte SD (non fournie) qui peut être utilisée pour l'enregistrement local et le stockage amovible.

1. Desserrez les vis de la garniture pour caméra dôme et retirez le couvercle du dôme.
2. Insérez une carte SD (non fournie) dans la fente pour carte SD.
3. Fixez le couvercle du dôme sur le couvercle supérieur et serrez les vis (couple 3,2 Nm).

AVIS

Pour éviter la corruption des enregistrements, la carte SD doit être démontée avant son éjection. Pour ce faire, rendez-vous dans **Setup > System Options > Storage > SD Card** (Configuration > Options du système > Stockage > Carte SD) et cliquez sur **Unmount** (Démonter).

Mise sous pression de la caméra (recommandé)

Le boîtier de la caméra peut être rempli d'azote afin d'empêcher toute condensation.

AXIS Q60-S Series

Le processus de remplissage est répété trois fois, en relâchant la pression entre chaque remplissage, afin de s'assurer que le boîtier est totalement exempt d'air et d'humidité.

Note

Le boîtier de la caméra est équipé d'une soupape de surpression qui limite la pression de remplissage à 0,5 bar (7 psi). En utilisation normale, il est possible que la pression à l'intérieur du boîtier de la caméra soit inférieure à cette pression. Pour une protection optimale, assurez-vous que la pression est supérieure à 0,2 bar (3 psi).

1. Réglez le manomètre du régulateur de la bouteille de gaz sur 0,5 bar (7 psi).
2. Retirez les capuchons de la vanne d'admission et de la soupape de surpression.
3. Placez le mandrin sur la vanne d'admission et appuyez pour remplir la caméra d'azote.
4. Lorsque la pression à l'intérieur du boîtier de la caméra atteint 0,5 bar (7 psi), la soupape de surpression s'ouvre. Placez la main au-dessus de la soupape de surpression pour vérifier que le gaz s'échappe.
5. Laissez le gaz passer à travers le boîtier de la caméra pendant une minute avant de retirer le mandrin de la vanne d'admission.
6. Soulevez la soupape de surpression pour relâcher la surpression du boîtier de la caméra.
7. Répétez la procédure de remplissage 3 fois, en laissant la caméra sous pression la dernière fois.
8. Remettez en place les capuchons de la vanne d'admission et de la soupape de surpression.

Installer l'alimentation et le commutateur de convertisseur de média

Le commutateur de convertisseur de média fourni permet au câble multiconnecteurs d'envoyer le courant provenant de l'alimentation (vendue séparément) et d'envoyer et recevoir des données en provenance et vers les dispositifs d'alarme externe et le réseau.

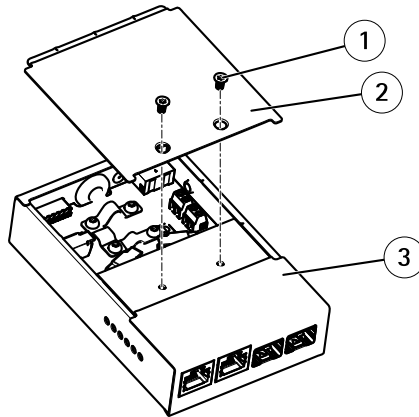
AVIS

- Il faut s'assurer que les branchements à l'alimentation de secteur et conduits ont été effectués par un professionnel qualifié, selon les instructions du fabricant et en conformité avec la réglementation locale.
- L'alimentation (vendue séparément) et le commutateur de convertisseur de média doivent être installés dans un environnement à l'abri de la poussière et de l'eau, par exemple en intérieur ou dans une armoire appropriée.
- Les réglementations locales ou les conditions environnementales et électriques dans lesquelles le produit est utilisé peuvent nécessiter l'utilisation d'un câble réseau blindé (STP). Tous les câbles réseau qui sont acheminés à l'extérieur ou dans des environnements électriques exigeants doivent être destinés à leur usage spécifique. Assurez-vous que les périphériques réseau sont installés conformément aux instructions du fabricant. Pour plus d'informations sur les exigences réglementaires, consultez *Regulatory Information* on page 2.

Important

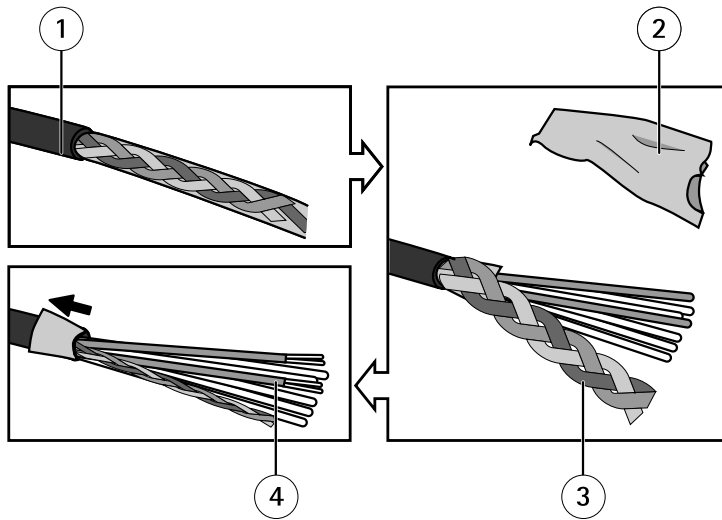
Axis ne peut garantir la fonctionnalité qu'avec le commutateur de convertisseur de média fourni. Aucun autre dispositif n'est pris en charge.

1. Assurez-vous que l'alimentation de secteur est arrêtée.
2. Montez l'alimentation et le commutateur du convertisseur de média sur le mur ou, le cas échéant, attachez-les à un rail DIN dans l'armoire. S'il s'avère nécessaire de percer, vérifiez que les forets, vis et chevilles à utiliser sont appropriés pour le matériau.
3. Desserrez les vis et retirez le couvercle du commutateur de convertisseur de média.



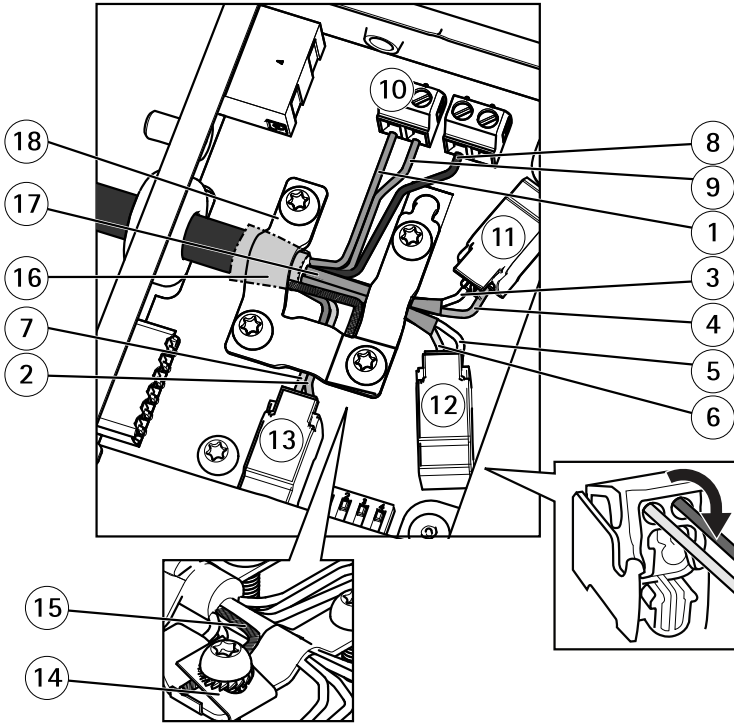
- 1 Vis (x2)
- 2 Couvercle
- 3 Commutateur de convertisseur de média

4. Enlevez 40 mm (1,57 po.) de la gaine du câble multiconnecteurs.
5. Ne touchez pas au blindage tressé, mais découpez 30 mm (1,18 po.) de la feuille extérieure du blindage.
6. Rabattez la feuille extérieure du blindage restante et torsadez le blindage tressé pour en faire une bobine.
7. Coupez environ 7–8 mm (0,27–0,32 po.) de la feuille de blindage du câble Ethernet.
8. Enlevez environ 4–5 mm (0,16–0,20 po.) des gaines du câble d'alimentation.



- 1 Gaine de câble multiconnecteurs
- 2 Feuille extérieure du blindage
- 3 Blindage tressé
- 4 Feuille de blindage du câble Ethernet (x2)

9. Connectez les fils de réseau E/S au réseau interne et les connecteurs E/S. Ouvrez le couvercle, insérez les fils et refermez.
10. Connectez les fils de mise à la masse et d'alimentation au connecteur d'alimentation (sortie CC).



- 1 Fil d'alimentation (rouge)
- 2 Fil de réseau E/S numérique (bleu)
- 3 Câble Ethernet (vert/blanc)
- 4 Câble Ethernet (vert)
- 5 Câble Ethernet (orange/blanc)
- 6 Câble Ethernet (orange)
- 7 Fil de réseau E/S numérique (jaune)
- 8 Fil de mise à la masse (noir)
- 9 Fil d'alimentation (rouge)
- 10 Connecteur d'alimentation (sortie CC)
- 11 Connecteur Ethernet (interne)
- 12 Connecteur Ethernet (interne)
- 13 Connecteur E/S (externe)
- 14 Clip de mise à la masse
- 15 Bobine de blindage tressé
- 16 Feuille extérieure du blindage
- 17 Blindage du câble Ethernet (x2)
- 18 Pince

11. Assurez-vous que la pince est en place, insérez la bobine de blindage tressé dans le clip de mise à la masse et serrez les vis.

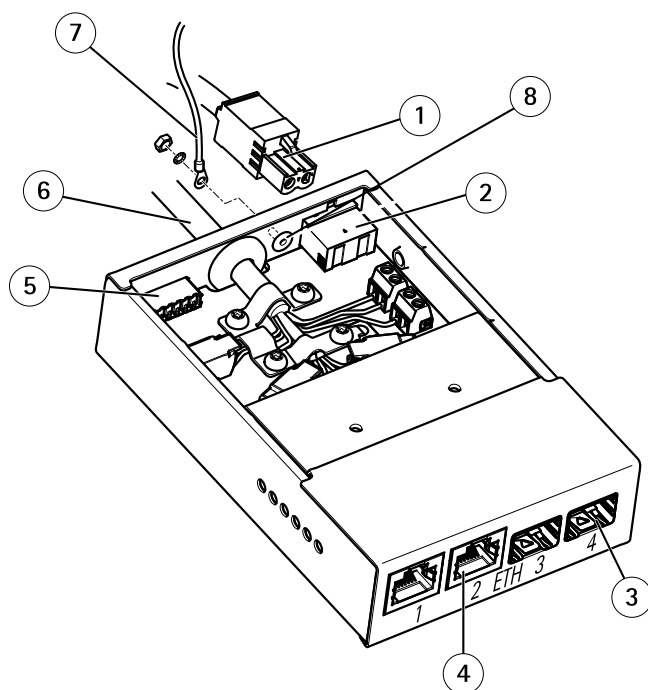
AVIS

- Les blindages et les surfaces de la pince doivent être en contact, de sorte que le câble multiconnecteurs soit mis à la masse.
- Assurez-vous que la gaine de câble multiconnecteurs est solidement fixé par la bride.
- Assurez-vous que toutes les surfaces et que tous les contacts sont propres et exempts de résidus de matériaux de blindage.

12. Connectez les câbles réseau aux connecteurs réseau externes (RJ45, SFP), tel qu'exigé.

Note

Un module SFP (non fourni) doit être utilisé pour la connexion d'un câble à fibres optiques.



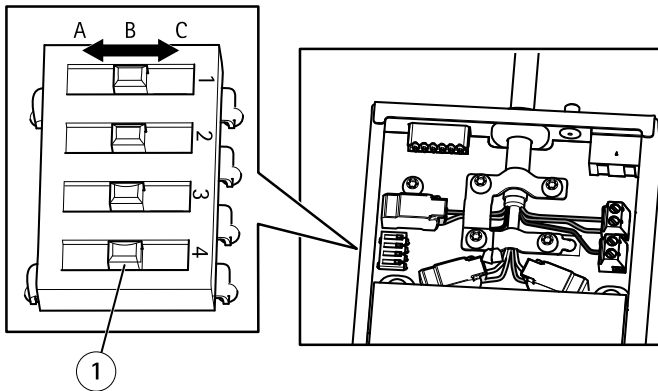
- 1 Câble d'alimentation (entrée CC)
- 2 Connecteur d'alimentation (entrée CC)
- 3 Connecteur réseau SFP (externe) (x2)
- 4 Connecteur réseau RJ45 (externe) (x2)
- 5 Connecteur E/S (externe)

- 6 Câble multiconnecteurs IP66
- 7 Fil de mise à la masse
- 8 Vis de mise à la terre

- 13. Le cas échéant, connectez le dispositif E/S au connecteur E/S externe.
- 14. Connectez le câble d'alimentation (entrée CC) au connecteur d'alimentation (entrée CC) via la fiche du bloc terminal.
- 15. Reliez le fil de mise à la terre à la vis de mise à la terre (position 8 de l'illustration).
- 16. Si vous connectez plusieurs commutateurs de convertisseur de média en cascade, configurez le commutateur DIP de chaque port du connecteur réseau sortant à un autre commutateur de convertisseur de média à la position C.
Laissez le commutateur DIP sur sa position par défaut (position B) lorsque vous connectez le port directement au réseau. Pour plus d'informations, reportez-vous au *Connecteurs du commutateur de convertisseur de média page 45* et au manuel de l'utilisateur.

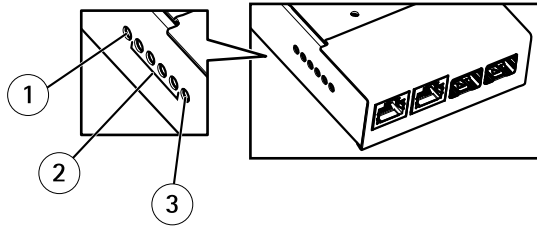
Important

Si le système n'est pas défini, utilisez le commutateur DIP sur sa position par défaut (position B).



1 Commutateur DIP (x4)

- 17. Reliez le couvercle au commutateur de convertisseur de média.
- 18. Branchez l'alimentation secteur.
- 19. Assurez-vous que les voyants DEL sur le commutateur de convertisseur de média indiquent les conditions appropriées. Pour en savoir plus, consultez *Voyants du commutateur de convertisseur de média page 42*.



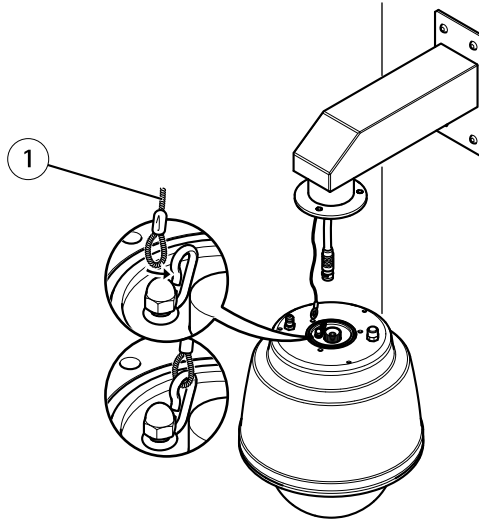
- 1 Voyant DEL d'alimentation
- 2 Voyant DEL réseau (x4) ETH 1/2/3/4
- 3 Voyant de la caméra

Installation de la caméra réseau

AVIS

Pour être conforme à la norme IP66 de la caméra et maintenir la protection IP66, il est nécessaire d'utiliser le câble multiconnecteurs fourni.

1. Installez les supports choisis (vendus séparément) suivant les instructions fournies. S'il s'avère nécessaire de percer, vérifiez que les forets, vis et chevilles à utiliser sont appropriés pour le matériau. Consultez le site www.axis.com pour plus d'informations sur les accessoires de montage disponibles.
2. Acheminez le câble multiconnecteurs à travers les orifices du support de montage.
3. Sécurisez la caméra à l'aide du câble de sécurité fourni.



Exemple de montage (support mural vendu séparément)

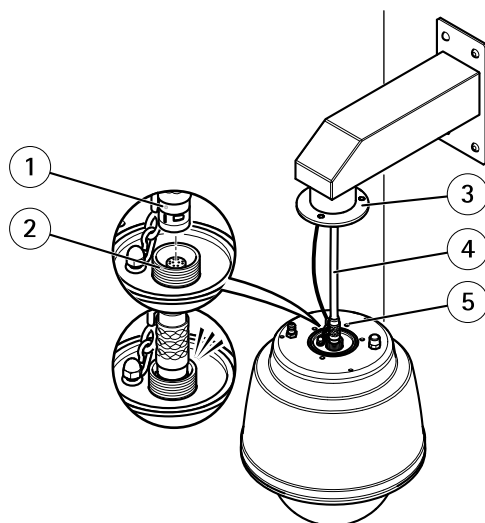
1 Câble de sécurité

4. Retirez la surcapsule qui recouvre le câble multiconnecteurs sur la caméra.
5. Connectez le câble multiconnecteurs au connecteur sur la caméra. Utilisez les indicateurs d'alignement pour trouver la bonne position.

AVIS

Veillez à ne pas endommager le câble multiconnecteurs lorsque vous le connectez.

6. Aligned le trou latéral de la caméra sur la broche du guide de la bride, puis fixez la caméra réseau au support de montage à l'aide des vis.



Exemple de montage (support mural vendu séparément)

- 1 Témoin d'alignement – câble multiconnecteurs
- 2 Témoin d'alignement – caméra
- 3 Bride
- 4 Câble multiconnecteurs
- 5 Trou latéral

Accès au produit

Utilisez les outils fournis sur le CD d'installation et de gestion pour attribuer une adresse IP, configurez le mot de passe et accédez au flux de données vidéo. Ces informations sont également disponibles sur les pages d'assistance technique du site www.axis.com/techsup

Réinitialisation aux paramètres d'usine par défaut

Important

La réinitialisation aux paramètres par défaut doit être utilisée avec prudence. Cette opération reconfigure tous les paramètres, y compris l'adresse IP, aux valeurs d'usine par défaut.

Note

Les logiciels d'installation et de gestion sont disponibles sur le CD fourni avec le produit et sur les pages d'assistance du site www.axis.com/techsup

Pour réinitialiser l'appareil aux paramètres d'usine par défaut :

1. Déconnectez l'alimentation de l'appareil.
2. Maintenez le bouton de commande enfoncé et remettez l'appareil sous tension. Consultez *Aperçu du matériel page 39*.
3. Maintenez le bouton de commande enfoncé pendant 15–30 secondes, jusqu'à ce que le voyant d'état passe à l'orange et clignote.
4. Relâchez le bouton de commande. Le processus est terminé lorsque le voyant d'état passe au vert. Les paramètres d'usine par défaut de l'appareil ont été rétablis. En l'absence d'un serveur DHCP sur le réseau, l'adresse IP par défaut est 192 . 168 . 0 . 90.
5. Utilisez les outils d'installation et de gestion pour attribuer une adresse IP, configurer le mot de passe et accéder au flux de données vidéo.

Il est également possible de rétablir les paramètres d'usine à partir de l'interface Web. Accédez à **Setup > System Options > Maintenance** (Configuration > Options du système > Maintenance) (Configuration > Configuration du contrôleur supplémentaire > Configuration > Options du système > Maintenance).

Pour obtenir plus de renseignements

Le Manuel de l'utilisateur est disponible à l'adresse suivante : www.axis.com

Consultez le site www.axis.com/techsup pour vérifier si des mises à jour des logiciels sont disponibles pour votre appareil réseau. Pour connaître la version du micrologiciel actuellement installée, reportez-vous à la page **Setup > About** (Configuration > À propos de).

Visitez le centre d'apprentissage en ligne Axis sur le site www.axis.com/academy pour en savoir plus sur les formations, les webinaires, les tutoriels et les guides.

Informations sur la garantie

Pour obtenir de plus amples informations sur la garantie du produit AXIS et des renseignements connexes, allez sur le site www.axis.com/warranty/

Sicherheitsinformation

Lesen Sie das Installationshandbuch sorgfältig durch bevor sie das Produkt installieren. Bewahren Sie das Installationshandbuch für zukünftige Zwecke auf.

Gefährdungsstufen

▲GEFAHR

Weist auf eine gefährliche Situation hin, welche, falls nicht verhindert, zu Tod oder schweren Verletzungen führt.

▲WARNUNG

Weist auf eine gefährliche Situation hin, welche, falls nicht verhindert, zu Tod oder schweren Verletzungen führen kann.

▲VORSICHT

Weist auf eine gefährliche Situation hin, welche, falls nicht verhindert, zu geringfügiger oder mäßiger Verletzung führen kann.

HINWEIS

Weist auf eine gefährliche Situation hin, welche, falls nicht verhindert, zu Sachschäden führen kann.

Weitere Nachrichtenstufen

Wichtig

Weist auf wichtige Informationen hin, die den richtigen Betrieb des Produkts gewährleisten.

Beachten

Weist auf nützliche Informationen hin, die die optimale Verwendung des Produkts unterstützen.

Sicherheitsanweisungen

▲WARNUNG

- Das Axis Produkt muss von fachmännischem Personal installiert werden.

HINWEIS

- Die Anwendung des Axis Produkts muss unter Beachtung der örtlich geltenden rechtlichen Bestimmungen erfolgen.
- Lagern Sie das Axis Produkt in einer trockenen und belüfteten Umgebung.
- Achten Sie darauf, dass das Axis Produkt weder Stößen noch starkem Druck ausgesetzt ist.
- Installieren Sie das Produkt nicht an instabilen Halterungen, Oberflächen oder Wänden.
- Verwenden Sie bei der Installation des Axis Produkts ausschließlich passende Werkzeuge. Ein zu großer Kraftaufwand kann das Produkt beschädigen.
- Verwenden Sie keine chemischen, ätzenden oder aerosolhaltigen Reinigungsmittel.
- Verwenden Sie zum Reinigen ein sauberes, mit lauwarmem Wasser angefeuchtetes Tuch.
- Verwenden Sie nur Zubehör, das den technischen Daten des Produkts entspricht. Dieses ist von Axis oder Drittanbietern erhältlich.
- Verwenden Sie ausschließlich Ersatzteile die von Axis bereitgestellt oder empfohlen werden.
- Versuchen Sie nicht, das Produkt selbstständig zu reparieren. Wenden Sie sich bezüglich Reparatur und Wartung an den Axis Support oder Ihren Axis Händler.

Transport

HINWEIS

- Bewahren Sie die Schutzverpackung auf. Bei Bedarf Axis Produkt in der Originalverpackung transportieren.
- Bei Bedarf transportieren Sie das Axis Produkt in der Originalverpackung oder einer entsprechenden Verpackung, so dass Schäden vermieden werden.

Batterie

Das Axis-Produkt ist mit einer 3,0 V-BR/CR2032-Lithium-Batterie ausgestattet, mit der die interne Echtzeituhr (RTC) versorgt wird. Unter normalen Bedingungen hat die Batterie eine Lebensdauer von mindestens fünf Jahren.

Bei entladener Batterie ist der Betrieb der Echtzeituhr nicht mehr gewährleistet, sodass die Uhr bei jedem Systemstart zurückgesetzt wird. Sie erhalten eine Protokollnachricht im Serverbericht des Produkts, wenn ein Batteriewechsel erforderlich ist. Weitere Informationen über den Serverbericht finden Sie auf den Setup-Seiten des Produkts, oder wenden Sie sich an den Axis-Support.

Die Batterie sollte nur bei Bedarf ersetzt werden. Wenden Sie sich in diesem Fall an den Axis Support unter www.axis.com/techsup.

⚠️ WARNUNG

- Explosionsgefahr bei fehlerhaftem Batteriewechsel.
- Die Batterie darf nur durch eine identische Batterie oder eine von Axis empfohlene Batterie ersetzt werden.
- Verbrauchte Batterien sind gemäß den örtlichen Vorschriften oder den Anweisungen des Herstellers zu entsorgen.

Kuppelabdeckung

HINWEIS

- Achten Sie darauf die Kuppelabdeckung weder zu zerkratzen, zu beschädigen oder darauf Fingerabdrücke zu hinterlassen, da dies die Bildqualität beeinträchtigen kann. Falls möglich entfernen Sie die Schutzfolie erst nachdem die Installation abgeschlossen ist.
- Säubern Sie niemals eine Kuppelabdeckung, wenn diese sauber erscheint, und polieren Sie keinesfalls die Oberfläche. Zu häufiges Säubern kann die Oberfläche beschädigen.
- Für die normale Reinigung der Kuppelabdeckung werden eine nicht-scheuernde, lösungsmittelfreie neutrale Seife oder ein entsprechendes Reinigungsmittel mit destilliertem Wasser und ein sauberer, weicher Lappen empfohlen. Spülen Sie die Kuppelabdeckung gründlich mit lauwarmem destilliertem Wasser ab. Trocknen Sie die Kuppelabdeckung mit einem weichen, sauberen Tuch, um Wasserflecken zu vermeiden.
- Verwenden Sie niemals starke Reinigungsmittel oder Alkohol (Isopropanol, Butylalkohol, Propylalkohol) und vermeiden Sie, die Kuppelabdeckung im direkten Sonnenlicht oder bei erhöhten Temperaturen zu säubern.

Installationsanleitung

Die Installationsanleitung enthält Anweisungen zur Installation der Dome-Netzwerkcameras AXIS Q6042-S PTZ, AXIS Q6044-S PTZ bzw. AXIS Q6045-S Mk II PTZ in Ihrem Netzwerk. Weitere Informationen zur Nutzung dieses Produkts finden Sie im Benutzerhandbuch unter www.axis.com.

Installationsschritte

1. Stellen Sie sicher, dass die Packungsinhalte, Werkzeuge und andere notwendige Materialien für die Installation in Ordnung sind. Siehe *Seite 67*.
2. Machen Sie sich mit der Hardware-Übersicht vertraut. Siehe *Seite 69*.
3. Machen Sie sich mit den technischen Daten vertraut. Siehe *Seite 76*.
4. Installieren Sie die Hardware. Siehe *Seite 80*.
5. Zugriff auf das Produkt. Siehe *Seite 90*.

Lieferumfang

- AXIS Q6042-S PTZ Dome-Netzwerk-Kamera, AXIS Q6044-S PTZ Dome-Netzwerk-Kamera oder AXIS Q6045-S Mk II PTZ Dome-Netzwerk-Kamera
- AXIS T8605-Medienkonverter-Switch
- Mehrfachanschlusskabel (IP66), 7 m
- DIN-Schienenhalterung
- CD-ROM mit Installations- und Verwaltungssoftware
- Gedruckte Dokumente
 - Installationsanleitung (dieses Dokument)
 - Zusätzliche Etiketten mit der Seriennummer (2x)
 - AVHS-Authentifizierungsschlüssel

Empfohlene Werkzeuge

HINWEIS

Edelstahl ist korrosionsbeständig, bei unsachgemäßer Behandlung des Materials kann jedoch Fremdstoff auftreten. Verwenden Sie Werkzeuge aus Edelstahl, um Rostflecken oder Lochfraß zu vermeiden.

- Torx-Schraubendreher T10 (Abdeckung, Kabelklemmen für Medienkonverter-Switch)
- Torx-Schraubendreher T20 (Entfernen der Kuppelabdeckung)
- Torx-Schraubendreher T25 (Austausch der Kuppel)
- Schlitzschraubendreher 2,5 mm (Buchse, Medienkonverter-Switch)

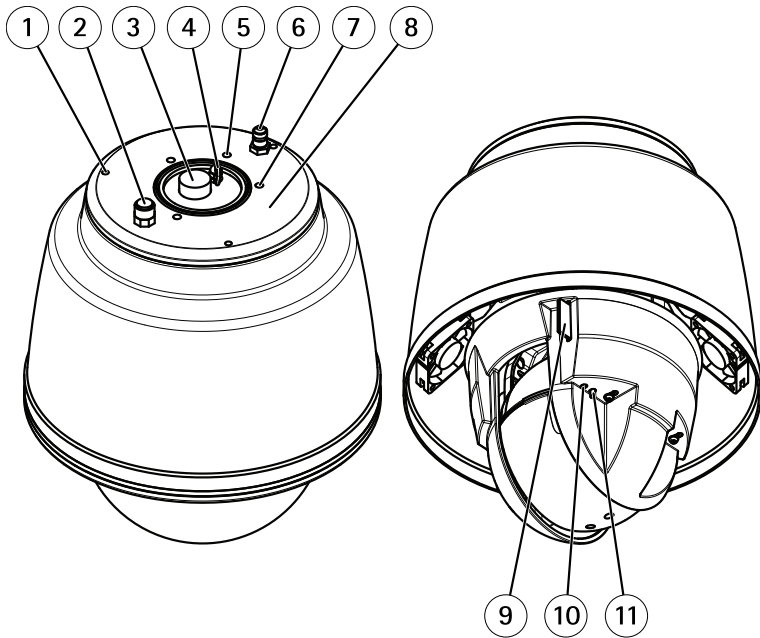
- 7 mm-Schraubenschlüssel (Masseschraube für Medienkonverter-Switch)
- 8 mm-Schraubenschlüssel/Buchse (Sonnenschutz, Masthalterung T91C67 (Schlauchklemme))
- 10 mm-Schraubenschlüssel/Buchse (Halterungsadapter AXIS T91C61, AXIS T94S01D, Masthalterung T91C67)
- Kabelschuh-Zange (Massekabel für Medienkonverter-Switch)
- Seitenschneider (Kabel)
- Abisoliergerät (Kabelverbindung)

Optionales Zubehör

- AXIS T91C61-Wandhalterung
- AXIS T94S01D Hängemontage-Satz
- AXIS T91C67-Masthalterung
- Sonnenschutz
- Getönte Kuppelabdeckung
- AXIS T8008 PS12-Netzteil
- AXIS T8310 Steuerungseinheit zur Videoüberwachung
- AXIS T90B Leuchten
- Installationsmonitor

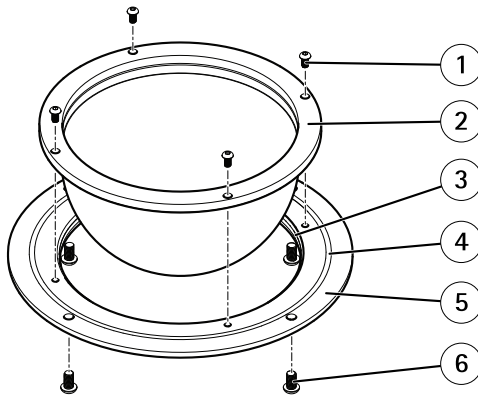
Unter www.axis.com finden Sie Informationen über verfügbares Zubehör.

Übersicht über die Hardware



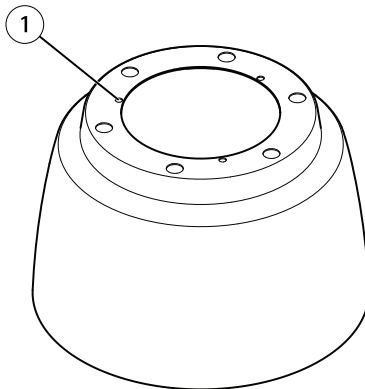
- 1 *Montagelöcher für Sonnenschutz (3x)*
- 2 *Druckablassventil*
- 3 *Mehrfachanschluss*
- 4 *Haken für Sicherheitsdraht*
- 5 *Kabeldurchführung*
- 6 *Einlassventil*
- 7 *Montagebohrung (3x)*
- 8 *Bestellnummer (P/N) und Seriennummer (S/N)*
- 9 *SD-Karteneinschub (SDHC)*
- 10 *LED-Statusanzeige*
- 11 *Steuertaste*

Kuppelabdeckung



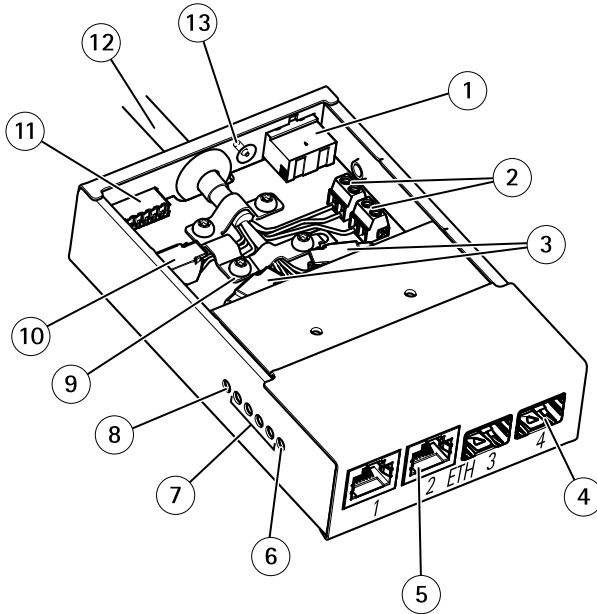
- 1 Kuppelhalterungsschraube T25 (4x)
- 2 Kuppelabdeckung
- 3 Gummidichtung
- 4 Gummidichtung
- 5 Kuppelring
- 6 Kuppelringschraube T20 (4x)

Sonnenschutz (separat erhältlich)



- 1 Schraubenbohrungen

Medienkonverter-Switch



- 1 Netzanschluss (Gleichstromeingang)
- 2 Netzanschluss (Gleichstromausgang)
- 3 Netzwerkanschluss (intern)
- 4 Netzwerksteckplatz, SFP (extern, 2x)
- 5 Netzwerkanschluss RJ45 (extern, 2x)
- 6 Kamera-LED-Anzeige
- 7 Netzwerk-LED-Anzeige (4x)
- 8 Betriebs-LED-Anzeige
- 9 Masseklemme
- 10 E/A-Anschluss (intern)
- 11 E/A-Anschluss (extern)
- 12 Mehrfachanschlusskabel
- 13 Masseschraube

LED-Anzeigen

LED	Farbe	Bedeutung
Status	Rot	Blinkt rot bei einem Fehler während der Firmware-Aktualisierung.

DEUTSCH

Status	Leuchtet nicht	Anschluss und Normalbetrieb
	Gelb	Leuchtet beim Start. Blinkt bei der Firmware-Aktualisierung.
	Grün	Leuchtet bei Normalbetrieb nach Abschluss des Startvorgangs 10 Sekunden lang grün.
	Gelb/rot	Blinkt gelb/rot, wenn die Netzwerkverbindung nicht verfügbar ist oder unterbrochen wurde.

LED-Anzeigen am Medien-Umschalter

LED	Farbe	Bedeutung
Stromversorgung	Leuchtet nicht	Gleichstrom nicht angeschlossen oder Stromschutz eingeschaltet (Überlastung)
	Grün	Gleichstrom angeschlossen.
Netzwerk (4x)	Gelb	10-Mbit-Anschluss. Blinkt bei Aktivität.
	Grün	100/1000-Mbit-Anschluss. Blinkt bei Aktivität.
Kamera	Grün	100-Mbit-Anschluss. Blinkt bei Aktivität.

Anschlüsse und Tasten

Für die technischen Daten und Betriebsbedingungen siehe *Seite 76*.

Netzwerkanschluss

HINWEIS

Das Produkt muss mit einem abgeschirmten Netzkabel (STP) angeschlossen werden. Alle Kabel, die das Produkt mit dem Netzwerkschalter verbinden, müssen hierfür ausgelegt sein. Stellen Sie sicher, dass die Netzwerkgeräte gemäß den Anweisungen des Herstellers installiert wurden. Informationen zu gesetzlichen Bestimmungen finden Sie unter .

Mehrfachanschluss

Klemmenanschluss zum mitgelieferten Medienkonverter-Switch, der die folgenden Signale ausgibt:

- Gleichstrom
- Netzwerk (Ethernet 10/100Base-T)
- Eingabe-/Ausgabe (E/A)

Das mitgelieferte Mehrfachanschlusskabel ist erforderlich, um die NEMA-/IP-Schutzklasse des Produkts zu gewährleisten. Weitere Informationen finden Sie unter *Mehrfachanschlusskabel* auf Seite 73

SD-Kartensteckplatz

Unterstützt SD-Karten mit bis zu 64 GB Speicherplatz. Verwenden Sie eine SDHC- oder SDXC-Karte der Geschwindigkeitsklasse 10, um optimale Aufzeichnungsergebnisse zu erzielen.

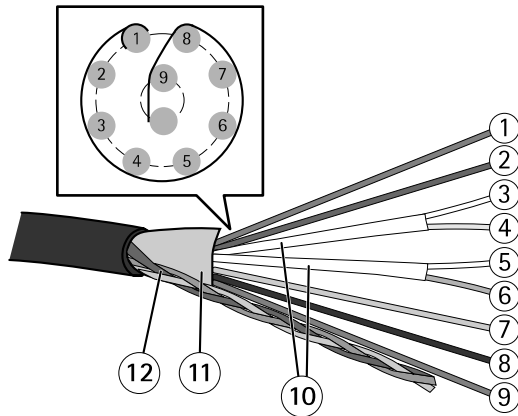
Steuertaste

Die Steuertaste hat folgende Funktionen:

- Zurücksetzen des Produkts auf Werkseinstellungen. Siehe Seite 90.
- Verbinden mit einem AXIS Video Hosting System-Service oder einem AXIS Internet Dynamic DNS-Service. Weitere Informationen zu diesen Diensten finden Sie in der Bedienungsanleitung.

Mehrfachanschlusskabel

Das mitgelieferte Mehrfachanschlusskabel ist erforderlich, um die NEMA-/IP-Schutzart der Kamera zu gewährleisten.



Übersicht Mehrfachanschlusskabel

- 1 Stromkabel (rot)
- 2 Digitales E/A-Kabel (blau)
- 3 Ethernetkabel (grün/weiß)
- 4 Ethernetkabel (grün)

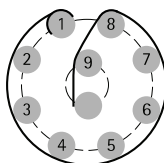
- 5 Ethernetkabel (orange/weiß)
- 6 Ethernetkabel (orange)
- 7 Digitales E/A-Kabel (gelb)
- 8 Massekabel (schwarz)
- 9 Stromkabel (rot)
- 10 Folienabschirmung des Ethernetkabels (2x)
- 11 Äußere Folienabschirmung
- 12 Verdrillte Drahtgeflechtabschirmung

Das Mehrfachanschlusskabel ist an den Mehrfachanschluss der Kamera angeschlossen, siehe *Übersicht über die Hardware auf Seite 69*.

Die Kabel sind mit dem mitgelieferten Medienkonverter-Switch verbunden, siehe *Medienkonverter-Switch auf Seite 71*.

Das Kabel liefert folgende Signale:

- Gleichstrom zur Kamera
- Netzwerk (Ethernet 10/100Base-T)
- Eingabe-/Ausgabe (E/A)



Funktion	Pol – Kabel	Hinweise	Technische Daten
Konfigurierbar (Ein- oder Ausgang)	2 – blau, 7 – gelb	Digitaleingang – Zum Aktivieren mit Pin 8 verbinden; zum Deaktivieren nicht anschließen.	0 bis max. 30 V DC
		Digitalausgang – Bei Aktivierung mit Pin 1 verbunden; wenn deaktiviert: frei (nicht verbunden). Bei Verwendung mit einer induktiven Last, z. B. einem Relais, muss parallel zur Last zum Schutz vor Spannungsspitzen eine Diode zwischengeschaltet werden.	0 bis max. 30 V DC, Open Drain, 100 mA
RX+	3 – grün/weiß	Ethernet – Empfang	
RX-	4 – grün	Ethernet – Empfang	
TX+	5 – orange/weiß	Ethernet – Übertragung	
TX-	6 – orange	Ethernet – Übertragung	

0 V DC (-)	8 – schwarz		0 V DC
Gleichstromausgang (12 V)	1, 9 – rot	Stromversorgung der Kamera	12 bis 13,2 V DC

Anschlüsse des Medienkonverter-Switches

Technische Daten finden Sie unter *Seite 76*.

HINWEIS

Das Produkt muss mit einem abgeschirmten Netzkabel (STP) angeschlossen werden. Alle Kabel, die das Produkt mit dem Netzwerkschalter verbinden, müssen hierfür ausgelegt sein. Stellen Sie sicher, dass die Netzwerkgeräte gemäß den Anweisungen des Herstellers installiert wurden. Informationen zu gesetzlichen Bestimmungen finden Sie unter *Electromagnetic Compatibility (EMC) on page 2*.

Wichtig

Ein Hot-Swap ist mit dem Medienkonverter-Switch nicht möglich. Trennen Sie den Schalter vom Netz, bevor Sie die Kameras wechseln. Beim Versuch des Hot-Swap funktioniert der Schalter möglicherweise nicht mehr ordnungsgemäß und muss neu gestartet werden.

Netzanschluss (Gleichstromeingang) – 2-polige Klemmleiste für die Stromversorgung.

Netzanschluss (Gleichstromausgang) – Zwei 2-polige Klemmenleisten für Stromausgang (Pol 4 wird nicht verwendet).

Netzwerkanschluss RJ45 (extern). – Zwei RJ45-Anschlüsse (10/100Base-T) für Netzwerkverbindung.

Netzwerksteckplatz, SFP (extern) – Zwei SFP-Steckplätze (100Base-FX/1000Base-X) für Netzwerkverbindung.

Jeder RJ45- und SFP-Port verfügt über einen eigenen DIP-Schalter. Mit den DIP-Schaltern wird die Datenübertragung vom Port gesteuert. Weitere Informationen hierzu finden Sie im Benutzerhandbuch.

Position DIP-Schalter		Verwendung
Standard (Mitte)	B	Bei Anschluss an das Netzwerk, direkt oder über einen Router- oder Netzwerk-Switch.
Links	A	Bei Anschluss an eine Kamera oder ein Gerät, das nicht für die Datenansicht gedacht ist.
Rechts	C	Bei Anschluss an einen anderen Medienkonverter-Switch.

AXIS Q60-S Series

Netzwerkanschluss (intern) – Zwei 2-polige Ethernet-Klemmenleisten.

E/A-Anschluss (extern) – 6-polige konfigurierbare E/A-Klemmenleiste, die über das Mehrfachanschlusskabel an die Kamera angeschlossen ist. Zur Verwendung mit externen Geräten in Verbindung mit Manipulationsalarmen, Bewegungserkennung, Ereignisauslösung, Zeitrafferaufnahmen, Alarmbenachrichtigungen usw. Abgesehen vom 0 V DC-Bezugspunkt und Strom (Gleichstromausgang) verfügt die E/A-Klemmenleiste über eine Schnittstelle zu:

- **Digitalausgang** – Zum Anschluss externer Geräte wie Relais und LEDs. Angeschlossene Geräte können über die VAPIX® Application Programming Interface (Programmierschnittstelle) mit den Schaltflächen für den Ausgang auf der Seite „Live View“ oder durch eine Aktionsregel aktiviert werden. Der Ausgang wird als aktiviert (siehe **System Options > Ports & Devices > Port Status**[Systemoptionen > Ports & Geräte > Port Status]) angezeigt, wenn das Alarmladegerät eingeschaltet ist.
- **Digitaleingang** – Alarmeingang für den Anschluss von Geräten, die zwischen geöffnetem und geschlossenem Schaltkreis wechseln können, z. B.: PIR-Kameras, Tür-/Fensterkontakte, Glasbruchmelder usw. Bei Empfang eines Signals ändert sich der Status und der Eingang wird aktiviert (siehe **System Options > Ports & Devices > Port Status (Systemoptionen > Ports und Geräte > Port-Status)**).

E/A-Anschluss (intern) – 2-polige E/A-Klemmenleiste.

Technische Daten

Betriebsbedingungen

Das Axis Produkt ist für die Verwendung im Freien konzipiert.

Produkt	Klassifikation	Temperatur	Luftfeuchtigkeit
AXIS Q6042-S	IEC 60721-4-3 Klasse 3K3	-30 °C bis 50 °C	10 bis 100 % relative Luftfeuchtigkeit (kondensierend)
AXIS Q6044-S	IEC/EN 60529 IP66		
AXIS Q6045-S Mk II	ISO 20653 IP6K9K		

Lagerbedingungen

Das Axis Produkt ist für die Verwendung im Freien konzipiert.

Produkt	Temperatur
AXIS Q6042-S	-40 °C bis 60 °C
AXIS Q6044-S	
AXIS Q6045-S Mk II	

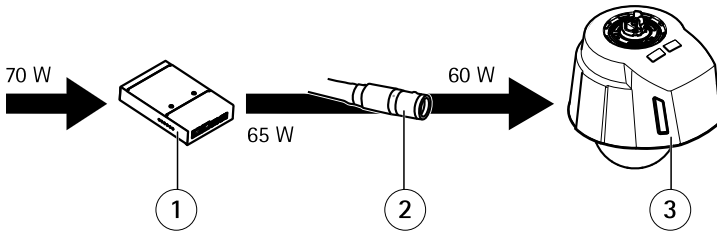
Elektrische Daten

HINWEIS

Verwenden Sie zur sicheren Einhaltung der Anforderungen für Schutzkleinspannung (SELV) und eine Stromquelle mit begrenzter Leistung (LPS) das von Axis empfohlene Netzteil (separat erhältlich). Weitere Informationen zu kompatibelem Zubehör für die Stromversorgung finden Sie unter www.axis.com.

Produkt	Funktion	Beschreibung
AXIS Q6042-S AXIS Q6044-S AXIS Q6045-S Mk II	Eingangsleistung	12 V DC, max. 60 W
Medienkonverter-Switch	Eingangsspannung	12,0 bis 13,2 V DC
	Eingangsleistung	70 W (min)
	Verfügbare Ausgangsleistung	65 W (min)
	Ausgangsnennspannung	12,5 V DC

DEUTSCH



- 1 Medienkonverter-Switch
- 2 Mehrfachanschlusskabel
- 3 Netzwerk-Kamera

Anschlüsse

SD-Kartensteckplatz

Unterstützt SD-Karten mit bis zu 64 GB Speicherplatz. Verwenden Sie eine SDHC- oder SDXC-Karte der Geschwindigkeitsklasse 10, um optimale Aufzeichnungsergebnisse zu erzielen.

Anschlüsse des Medienkonverter-Switches

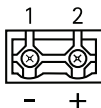
Externe Anschlüsse

Masseschraube

Masseschraube zur Erdung des Medienkonverter-Switches. Sorgen Sie dafür, dass beide Enden des Erdungskabels Kontakt mit den entsprechenden Erdungsflächen haben.

Netzanschluss

2-polige Klemmleiste für die Stromversorgung.

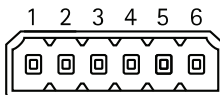


Funktion		Kontakt	Hinweise	Technische Daten
Gleichstromeingang	0 V (-) DC	1		0 V DC
	12 V DC	2	Stromeingang von Stromquelle (separat erhältlich)	12,0 bis 13,2 V DC, min. 75 W

E/A-Klemmanschluss

6-polige Klemmleiste für:

- Digitale E/A
- Stromversorgung (Gleichstromausgang)
- 0 V (-) DC



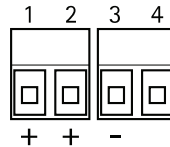
Funktion		Kontakt	Hinweise	Technische Daten
0 V (-) DC		1, 4, 6		0 V DC
Gleichstromausgang		2	Stromausgang	12 V DC, 50 mA

Konfigurierbar E/A 1 (Eingang oder Ausgang)	3	Digitaleingang	0 bis max. 30 V DC
		Digitalausgang (Transistor, offener Kollektor)	0 bis max. 30 V DC, Open Drain, 100 mA
Konfigurierbar E/A 2 (Eingang oder Ausgang)	5	Digitaleingang	0 bis max. 30 V DC
		Digitalausgang (Transistor, offener Kollektor)	0 bis max. 30 V DC, Open Drain, 100 mA

Kameraanschlüsse

Netzanschluss

Zwei 2-polige Klemmenleisten für Stromausgang (Pol 4 wird nicht verwendet).



Funktion		Kontakt	Hinweise	Technische Daten
Gleich- strom- aus- gang	12 V DC	1, 2	Stromausgang zur Kamera	12,0 bis 13,2 V DC, min. 70 W
	0 V (-) DC	3		0 V DC
	Keine Angabe	4	Keine Angabe	

Netzwerkanschluss

Zwei 2-polige Ethernet-Klemmenleisten.



E/A-Klemmanschluss

2-polige Klemmleiste.



Installieren der Hardware

HINWEIS

- Aufgrund örtlicher Vorschriften oder der Umgebungs- und elektrischen Bedingungen, unter denen das Produkt verwendet wird, kann ein abgeschirmtes Netzwerkkabel (STP) empfehlenswert oder notwendig sein. Alle Netzwerkkabel des Produkts, die im Außenbereich oder in schwierigen elektrischen Umgebungen verlegt werden, müssen hierfür ausgelegt sein. Stellen Sie sicher, dass die Netzwerkgeräte gemäß den Anweisungen des Herstellers installiert wurden. Informationen zu gesetzlichen Bestimmungen finden Sie unter *Regulatory Information on page 2*.
- Befestigen Sie das Produkt mit der Kuppelabdeckung nach unten.
- Achten Sie darauf die Kuppelabdeckung weder zu zerkratzen, zu beschädigen oder darauf Fingerabdrücke zu hinterlassen, da dies die Bildqualität beeinträchtigen kann. Falls möglich entfernen Sie die Schutzfolie erst nachdem die Installation abgeschlossen ist.

Die Kabel dieses Axis Produkts können an einer Wand oder Decke oder durch diese hindurch verlegt werden.

Lesen Sie die Anleitung, bevor Sie das Produkt installieren. Manche Installationsschritte sollten besser zusammen ausgeführt werden, denn sie erfordern die Entfernung der Kuppelabdeckung.

Folgende Varianten sind möglich:

- Das Produkt wird mit einer vormontierten durchsichtigen Kuppelabdeckung geliefert. Eine getönte Kuppelabdeckung ist als optionales Zubehör erhältlich. Weitere Informationen zum Austausch der Kuppelabdeckung finden Sie unter *Seite 80*.
- Eine Standard- oder SD-Karte mit hoher Kapazität (nicht enthalten) kann verwendet werden, um Aufnahmen lokal im Produkt zu speichern. Weitere Informationen zur Installation einer SD-Speicherkarte finden Sie unter *Seite 81*.
- Weitere Informationen zur Installation einer T91C61-Wandhalterung (separat erhältlich) finden Sie unter *Seite 88*.

Anbringen des Sonnenschutzes

Die Anbringung des Sonnenschutzes ist optional. Der Sonnenschutz sorgt für kühle Temperaturen innerhalb der Kamera.

1. Entfernen Sie die Verschlusschrauben von der Kameraeinheit.
2. Platzieren Sie den Sonnenschutz an der Kameraeinheit.
3. Befestigen Sie den Sonnenschutz mit den mitgelieferten Schrauben.

Austauschen der Kuppelabdeckung

Das Austauschen der Kuppelabdeckung ist nur notwendig, wenn Sie die Rauchglas-Kuppelabdeckung verwenden möchten oder wenn die Kuppelabdeckung zerkratzt ist oder Risse hat. Getönte

Kuppelabdeckungen oder klare Ersatzabdeckungen können über Ihren Axis Händler erworben werden.

Verwenden Sie die im Lieferumfang der Kuppelabdeckung enthaltene Installationsanleitung.

Installieren einer SD-Karte

Sie können optional eine SD-Speicherkarte (nicht enthalten) installieren, die zur lokalen Aufzeichnung auf Wechselspeichermedien verwendet werden kann.

1. Lösen Sie die Kuppelringschrauben und entfernen sie die Kuppelabdeckung.
2. Schieben Sie die SD-Karte (nicht enthalten) in den SD-Karteneinschub.
3. Befestigen Sie die Kuppelabdeckung an der oberen Abdeckung und ziehen Sie die Schrauben an (Drehmoment 3,2 Nm).

HINWEIS

Um eine Beschädigung der Aufzeichnungen zu verhindern, sollte die SD-Karte vor dem Auswerfen deaktiviert (getrennt) werden. Rufen Sie zum Deaktivieren **Setup > System Options > Storage > SD Card** (Einrichten > Systemoptionen > Speicher > SD-Karte) auf und klicken Sie auf **Unmount** (Trennen).

Unterdrucksetzen der Kamera (Empfohlen)

Das Kameragehäuse kann mit Stickstoff gefüllt werden, um Kondensierung zu vermeiden.

Um sicherzustellen, dass sich keine Luft oder Feuchtigkeit mehr im Gehäuse befindet, sollte der Füllvorgang drei Mal wiederholt und der Druck zwischen jeder Füllung abgelassen werden.

Beachten

Das Kameragehäuse verfügt über ein Druckablassventil, das den Fülldruck auf 0,5 bar (7 psi) begrenzt. Bei normaler Verwendung fällt der Druck innerhalb des Kameragehäuses möglicherweise unter diesen Wert. Stellen Sie sicher, dass der Druck über 0,2 bar (3 psi) liegt, um einen vollständigen Schutz zu gewährleisten.

1. Richten Sie den Druckluftregler des Gaszylinders auf 0,5 bar (7 psi) ein.
2. Entfernen Sie die Abdeckkappen von Einlass- und Druckablassventil.
3. Platzieren Sie das Spannfutter am Einlassventil und drücken Sie es nach unten, um die Kamera mit Stickstoff zu füllen.
4. Wenn der Druck innerhalb des Kameragehäuses 0,5 bar (7 psi) erreicht, wird das Druckablassventil geöffnet. Legen Sie Ihre Hand über das Druckablassventil, um herauszufinden, ob der Stickstoff wirklich austritt.
5. Der Stickstoff sollte mindestens eine Minute durch die Kamera fließen, bevor das Spannfutter vom Einlassventil entfernt wird.
6. Heben Sie das Druckablassventil an, um den Überdruck aus der Kameraeinheit abzulassen.

7. Wiederholen Sie das Abfüllen insgesamt 3 Mal. Belassen Sie die Kamera beim letzten Mal unter Druck.
8. Setzen Sie die Abdeckkappen wieder auf Einlass- und Druckablassventil.

Anschließen der Stromversorgung und des Medienkonverter-Switches

Der mitgelieferte Medienkonverter-Switch sorgt dafür, dass das Mehrfachanschlusskabel Strom von der Stromquelle weiterleitet (separat erhältlich) und Daten von externen Alarmeinrichtungen und dem Netzwerk empfängt und sendet.

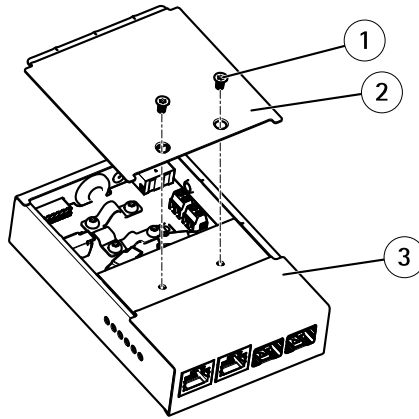
HINWEIS

- Stellen Sie sicher, dass die Anschlüsse zur Stromversorgung und die Leiter nach den Anweisungen des Herstellers und entsprechend den örtlichen Vorschriften von einem Fachmann installiert werden.
- Das Netzteil (separat erhältlich) und der Medienkonverter-Switch sind in einer Umgebung zu installieren, die Schutz gegen Staub und Wasser bietet, z. B. in geschlossenen Räumen oder in einem geeigneten Schrank.
- Aufgrund örtlicher Vorschriften oder der Umgebungs- und elektrischen Bedingungen, unter denen das Produkt verwendet wird, kann ein abgeschirmtes Netzkabel (STP) empfehlenswert oder notwendig sein. Alle Netzkabel des Produkts, die im Außenbereich oder in schwierigen elektrischen Umgebungen verlegt werden, müssen hierfür ausgelegt sein. Stellen Sie sicher, dass die Netzwerkgeräte gemäß den Anweisungen des Herstellers installiert wurden. Informationen zu gesetzlichen Bestimmungen finden Sie unter *Regulatory Information on page 2*.

Wichtig

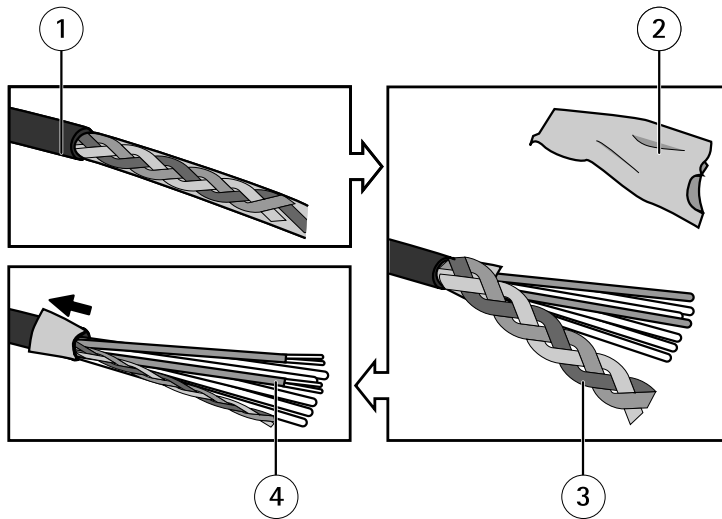
Axis kann die volle Funktionsfähigkeit nur dann garantieren, wenn der mitgelieferte Medienkonverter-Switch verwendet wird. Es werden keine anderen Geräte unterstützt.

1. Stellen Sie sicher, dass die Stromzufuhr abgeschaltet ist.
2. Montieren Sie die Stromquelle und den Medienkonverter-Switch an der Wand oder, wenn dies möglich ist, an eine DIN-Schiene im Schrank. Falls das Bohren von Löchern erforderlich ist, stellen Sie sicher, dass die Bohrer, Schrauben und Dübel für den Baustoff der Wand geeignet sind.
3. Lösen Sie die Schrauben und nehmen sie die Abdeckung vom Medienkonverter-Switch.



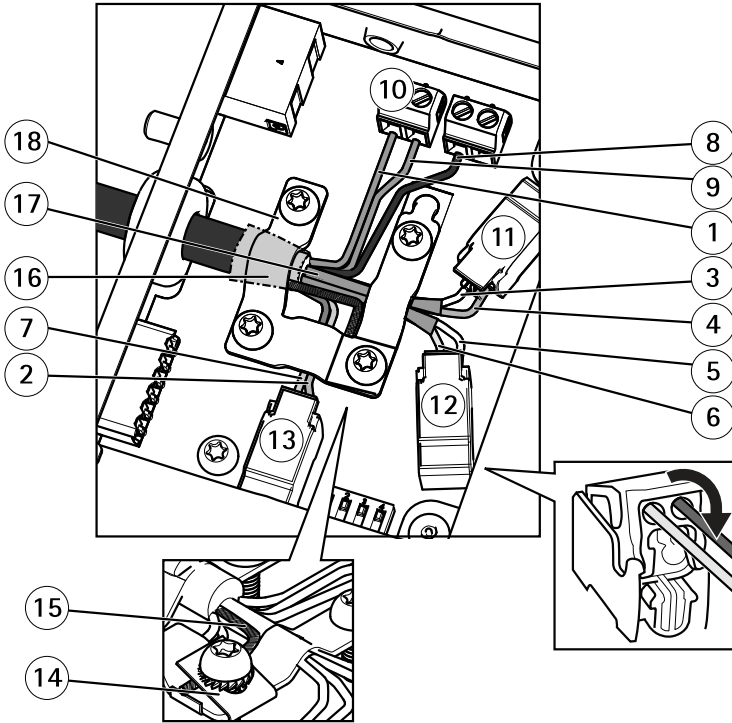
- 1 Schraube (2x)
- 2 Abdeckung
- 3 Medienkonverter-Switch

4. Entfernen Sie am Mehrfachanschlusskabel 40 mm die Ummantelung.
5. Entfernen Sie ausschließlich 30 mm der äußeren Folienabschirmung. Lassen Sie die Drahtgeflechtabschirmung intakt.
6. Klappen Sie die Reste der äußeren Folienabschirmung zurück und verdrehen Sie die Kupferdrähte der Abschirmung.
7. Schneiden Sie etwa 7 bis 8 mm der Folienabschirmung des Ethernetkabels ab.
8. Entfernen Sie etwa 4 bis 5 mm der Stromkabelisierungen.



- 1 Ummantelung des Mehrfachanschlusskabels
- 2 Äußere Folienabschirmung
- 3 Drahtgeflechtabschirmung
- 4 Folienabschirmung des Ethernetkabels (2x)

9. Schließen Sie die Netzwerk- und E/A-Kabel an die internen Netzwerk- und E/A-Anschlüsse an. Öffnen Sie die Klappe, führen Sie die Kabel ein und schließen Sie die Klappe wieder.
10. Verbinden Sie die Masse- und Stromkabel mit dem Netzanschluss (Wechselstromausgang).



- 1 Stromkabel (rot)
- 2 Digitales E/A-Kabel (blau)
- 3 Ethernetkabel (grün/weiß)
- 4 Ethernetkabel (grün)
- 5 Ethernetkabel (orange/weiß)
- 6 Ethernetkabel (orange)
- 7 Digitales E/A-Kabel (gelb)
- 8 Massekabel (schwarz)
- 9 Stromkabel (rot)
- 10 Netzanschluss (Gleichstromausgang)
- 11 Ethernetanschluss (intern)
- 12 Ethernetanschluss (intern)
- 13 E/A-Anschluss (intern)
- 14 Masseklemme
- 15 Verdrillte Drahtgeflechtabschirmung
- 16 Äußere Folienabschirmung
- 17 Abschirmung des Ethernetkabels (2x)
- 18 Halterung

11. Stellen Sie sicher, dass die Halterung angebracht ist. Führen Sie die verdrillte Drahtgeflechtabschirmung in die Masseklemme ein und ziehen Sie die Schrauben fest.

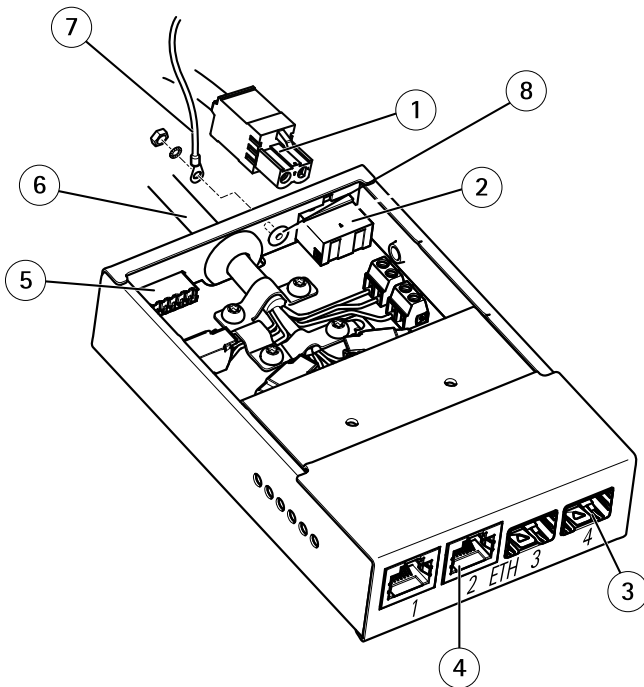
HINWEIS

- Abschirmungen und Flächen der Halterung sollen in vollständigem Kontakt zueinander sein, so dass das Mehrfachanschlusskabel geerdet ist.
- Stellen Sie sicher, dass die Ummantelung des Mehrfachanschlusskabels mit der Klemme sicher befestigt ist.
- Vergewissern Sie sich, dass alle Flächen und Kontakte sauber und frei von Abschirmungsmaterialresten sind.

12. Schließen Sie die Netzkabel an die externen Netzwerkanschlüsse an (RJ45, SFP).

Beachten

Ein SFP-Modul (nicht enthalten) muss beim Anschluss eines Glasfaserkabels verwendet werden.



- 1 Stromkabel (Gleichstromeingang)
- 2 Netzanschluss (Gleichstromeingang)
- 3 Netzwerkanschluss SFP (extern) (2x)

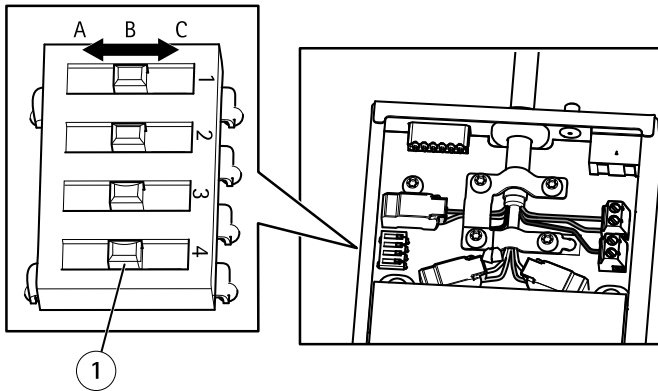
- 4 *Netzwerkanschluss RJ45 (extern) (2x)*
- 5 *E/A-Anschluss (extern)*
- 6 *Mehrfachanschlusskabel IP66*
- 7 *Erdungsdraht*
- 8 *Masseschraube*

13. Wenn zutreffend, schließen Sie ein E/A-Gerät an den externen E/A-Anschluss an.
14. Schließen Sie das Stromkabel (Gleichstromeingang) über den Stecker der Klemmleiste an den Netzanschluss (Gleichstromeingang) an.
15. Schließen Sie das Massekabel an die Masseschraube an (Position 8 in der Abbildung).
16. Wenn mehrere Medienkonverter-Switches in einer Daisy-Chain verbunden werden, müssen Sie den DIP-Schalter für jeden Netzwerkausgang, der mit einem anderen Medienkonverter-Switch verbunden ist, auf Position C festlegen.

Wenn der Port direkt mit dem Netzwerk verbunden wird, belassen Sie den DIP-Schalter in der Standardposition (Position B). Weitere Informationen hierzu finden Sie unter *Anschlüsse des Medienkonverter-Switches auf Seite 75* und im Benutzerhandbuch.

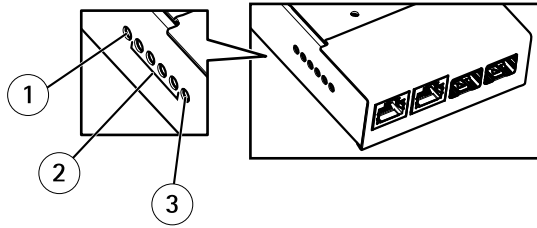
Wichtig

Wenn das System nicht definiert wurde, verwenden Sie die Standardeinstellung (Position B) des DIP-Schalters.



1 *DIP-Schalter (4x)*

17. Setzen Sie die Abdeckung auf den Medienkonverter-Switch.
18. Schalten Sie die Stromversorgung an.
19. Stellen Sie sicher, dass die LED-Anzeigen im Medienkonverter-Switch die korrekten Bedingungen anzeigen. Weitere Informationen hierzu finden Sie unter *LED-Anzeigen am Medien-Umschalter auf Seite 72*



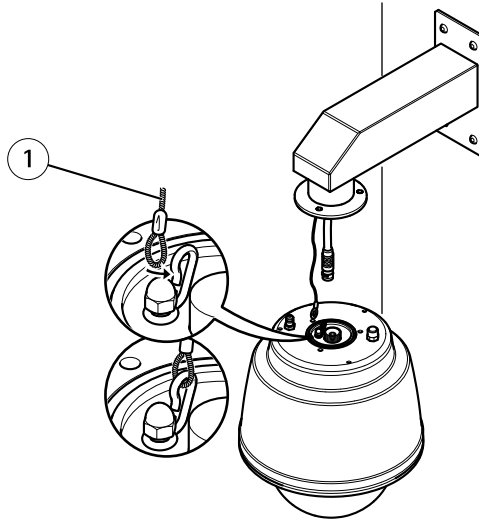
- 1 Betriebs-LED-Anzeige
- 2 Netzwerk-LED-Anzeige (4x) ETH 1/2/3/4
- 3 Kamera-LED-Anzeige

Installieren der Netzwerk-Kamera

HINWEIS

Verwenden Sie das im Lieferumfang enthaltene Mehrfachanschlusskabel, um die IP66-Einstufung der Kamerabauweise einzuhalten und den IP66-Schutz beizubehalten.

1. Installieren Sie die ausgewählte Halterung (separat erhältlich) gemäß den mitgelieferten Anweisungen. Falls das Bohren von Löchern erforderlich ist, stellen Sie sicher, dass die Bohrer, Schrauben und Dübel für den Baustoff der Wand geeignet sind. Unter „www.axis.com“ finden Sie Informationen über verfügbares Montagezubehör.
2. Führen Sie das Mehrfachanschlusskabel durch die Bohrungen in der Montagehalterung.
3. Sichern Sie die Kamera, indem Sie den mitgelieferten Sicherheitsdraht verwenden.



Montagebeispiel (Wandhalterung separat erhältlich)

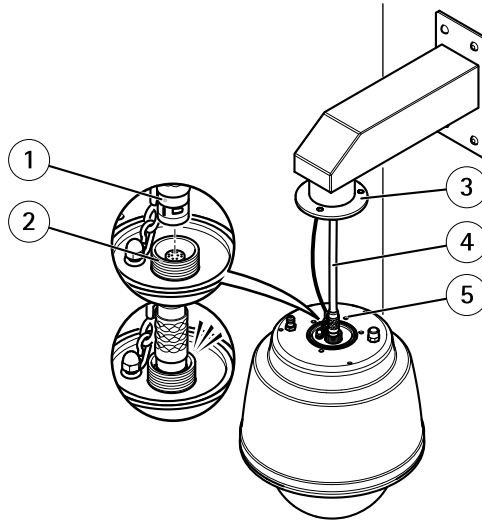
1 Sicherheitsdraht

4. Entfernen Sie die Schutzkappe des Mehrfachanschlusses der Kamera.
5. Schließen Sie das Mehrfachanschlusskabel an den Kameraanschluss an. Suchen Sie die korrekte Position mittels der Ausrichtungsmarken.

HINWEIS

Gehen Sie beim Anschließen vorsichtig vor, um das Mehrfachanschlusskabel nicht zu beschädigen.

6. Richten Sie die Kabeldurchführung der Kamera am Führungsbolzen im Flansch aus und befestigen Sie die Netzwerkkamera mithilfe der Schrauben an der Montagehalterung.



Montagebeispiel (Wandhalterung separat erhältlich)

- 1 Ausrichtungsmarke – Mehrfachanschlusskabel
- 2 Ausrichtungsmarke – Kamera
- 3 Flansch
- 4 Mehrfachanschlusskabel
- 5 Kabeldurchführung

Zugriff auf das Produkt

Verwenden Sie die bereitgestellten Tools der Installations- und Management-Software-CD, um eine IP-Adresse zuzuordnen, ein Passwort einzurichten und auf den Videostream zuzugreifen. Diese Information finden Sie ebenso auf den Support-Seiten unter www.axis.com/techsup/

Zurücksetzen auf Werkseinstellungen

Wichtig

Das Zurücksetzen auf die Werkseinstellungen sollte mit Vorsicht verwendet werden. Beim Zurücksetzen auf die Werkseinstellungen werden alle Einstellungen einschließlich der IP-Adresse auf die Werkseinstellungen zurückgesetzt.

Beachten

Die Software-Tools für Installation und Verwaltung sind auf der mit dem Produkt ausgelieferten CD-ROM und über die Supportseiten unter www.axis.com/techsup verfügbar.

So wird das Produkt auf die Werkseinstellungen zurückgesetzt:

1. Trennen Sie das Produkt von der Stromversorgung.
2. Halten Sie die Steuertaste gedrückt und stecken Sie den Netzstecker wieder ein. Siehe *Übersicht über die Hardware auf Seite 69*.
3. Halten Sie die Steuertaste etwa 15–30 Sekunden gedrückt, bis die LED-Statusanzeige gelb blinkt.
4. Lassen Sie die Steuertaste los. Der Vorgang ist abgeschlossen, wenn die LED-Statusanzeige grün leuchtet. Das Produkt wurde auf die Werkseinstellungen zurückgesetzt. Wenn kein DHCP-Server im Netzwerk verfügbar ist, lautet die Standard-IP-Adresse 192.168.0.90.
5. Verwenden Sie die Software-Tools für Installation und Verwaltung, um eine IP-Adresse zuzuweisen, ein Kennwort einzurichten und auf den Videostream zuzugreifen.

Die Parameter können auch über die Weboberfläche auf die Werkseinstellungen zurückgesetzt werden. Rufen Sie **Setup > System Options > Maintenance (Setup > Systemoptionen > Wartung)** auf.

Weitere Informationen

Das Benutzerhandbuch finden Sie unter www.axis.com.

Unter www.axis.com/techsup finden Sie Firmware-Aktualisierungen für Ihr Netzwerkprodukt. Um die aktuell installierte Firmware-Version zu sehen, gehen Sie auf **Setup > About (Einrichten > Über)**.

Besuchen Sie das Axis-Schulungszentrum www.axis.com/academy für anregende Schulungen, Webinare, Lernprogramme und Anleitungen.

Garantieinformationen

Informationen zur Garantie der Axis Produkte und hierzu verbundene Informationen, finden Sie unter www.axis.com/warranty/

Informazioni di Sicurezza

Leggere questa Guida all'Installazione prima di installare il prodotto. Conservare la Guida all'Installazione per usi futuri.

Livelli di pericolo

▲PERICOLO

Indica una situazione pericolosa che, se non evitata, provoca morte o lesioni gravi.

▲AVVERTENZA

Indica una situazione pericolosa che, se non evitata, può provocare la morte o lesioni gravi.

▲ATTENZIONE

Indica una situazione pericolosa che, se non evitata, può provocare lesioni medie o minori.

AWISO

Indica una situazione che, se non evitata, può danneggiare la proprietà.

Altri livelli d'informazione

Importante

Indica informazioni importanti, essenziali per il corretto funzionamento del prodotto.

Nota

Indica informazioni utili che aiutano a ottenere il massimo dal prodotto.

Istruzioni di sicurezza

⚠AVVERTENZA

- Il prodotto Axis deve essere installato da un professionista qualificato.

AVISO

- Il prodotto Axis deve essere utilizzato in conformità alle leggi e alle disposizioni locali.
- Conservare il prodotto Axis in un ambiente asciutto e ventilato.
- Evitare di esporre il prodotto Axis a urti o pressioni eccessive.
- Non installare il prodotto su supporti, superfici o pareti instabili.
- Utilizzare solo strumenti applicabili quando si installa il prodotto Axis. Una forza eccessiva può causare danni al prodotto.
- Non utilizzare sostanze chimiche, agenti caustici o detergenti aerosol.
- Utilizzare un panno pulito inumidito in acqua pura per la pulizia.
- Utilizzare solo accessori compatibili con le specifiche tecniche del prodotto. Questi possono essere forniti da Axis o da terze parti.
- Utilizzare solo parti di ricambio fornite o consigliate da Axis.
- Non tentare di riparare il prodotto da soli. Contattare l'assistenza o il rivenditore Axis per questioni relative alla manutenzione.

Trasporti

AVISO

- Conservare l'imballaggio di protezione. Durante il trasporto del prodotto Axis, l'imballaggio di protezione deve essere ricollocato nella sua posizione originale.
- Durante il trasporto del prodotto Axis, utilizzare l'imballaggio originale o equivalente per evitare danni al prodotto.

Batteria

Il prodotto Axis utilizza una batteria al litio da 3,0 V BR/CR2032 come alimentazione per il suo real-time clock (RTC) interno. In condizioni normali questa batteria avrà una durata minima di cinque anni.

Una bassa carica della batteria influisce sul funzionamento del RTC, facendolo resettare a ogni accensione. Quando la batteria deve essere sostituita, un messaggio di registro viene visualizzato nel report server del prodotto. Per ulteriori informazioni sul report server, vedere le pagine di configurazione del prodotto o contattare l'assistenza Axis.

La batteria non deve essere sostituita se non richiesto, ma nel caso in cui questo fosse necessario, contattare il supporto Axis all'indirizzo www.axis.com/techsup per assistenza.

⚠AVVERTENZA

- Rischio di esplosione se la batteria viene sostituita in modo errato.
- Sostituire solo con una batteria identica o una batteria consigliata da Axis.
- Smaltire le batterie usate in base alle normative locali o alle istruzioni del produttore della batteria.

Coperchio della cupola

AVVISO

- Fare attenzione a non graffiare, danneggiare o lasciare impronte sul coperchio della cupola, perché potrebbe diminuire la qualità dell'immagine. Se possibile, tenere la protezione in plastica sul coperchio della cupola fino a quando l'installazione non sarà completata.
- Non pulire il coperchio della cupola che allo sguardo sembra pulito e non lucidare la superficie. Una pulizia eccessiva potrebbe danneggiare la superficie.
- Per la pulizia generale del coperchio della cupola, si consiglia di utilizzare un sapone neutro o detergente non abrasivo con acqua pura e un panno morbido e pulito. Sciacquare bene con acqua pura tiepida. Asciugare con un panno morbido e pulito per evitare macchie d'acqua.
- Non usare mai detergenti aggressivi o alcool (isopropilico, butilico, propilico) ed evitare di pulire il coperchio della cupola alla luce diretta del sole o a temperature elevate.

Guida all'installazione

Questa guida all'installazione fornisce istruzioni per l'installazione in rete della telecamera di rete a cupola PTZ AXIS Q6042-S, la telecamera di rete a cupola PTZ AXIS Q6044-S o la telecamera di rete a cupola PTZ AXIS Q6045-S Mk II. Per ulteriori informazioni sull'utilizzo del dispositivo, consultare la Guida per l'utente disponibile all'indirizzo www.axis.com

Procedure di installazione

1. Assicurarsi che il contenuto della confezione, gli strumenti e altri materiali necessari per l'installazione siano in ordine. Consultare *pagina 97*.
2. Studiare la descrizione dell'hardware. Consultare *pagina 99*.
3. Studiare le specifiche. Consultare *pagina 107*.
4. Installazione dell'hardware. Consultare *pagina 110*.
5. Accedere al prodotto. Consultare *pagina 120*.

Contenuto della Confezione

- Telecamera di rete a cupola PTZ AXIS Q6042-S, telecamera di rete a cupola PTZ AXIS Q6044-S o telecamera di rete a cupola PTZ AXIS Q6045-S Mk II
- Switch Media Converter AXIS T8605
- Cavo multiconnettore (IP66), 7 m (23 ft)
- Clip barra DIN
- CD d'installazione e gestione
- Materiali stampati
 - Guida all'installazione (questo documento)
 - Etichetta aggiuntiva con numero di serie (2x)
 - Chiave di autenticazione AVHS

Strumenti raccomandati

AWISO

L'acciaio inossidabile è resistente alla corrosione, ma è possibile che appaia la ruggine estranea se il materiale non viene maneggiato correttamente. Utilizzare strumenti in acciaio per evitare macchie di ruggine o la corrosione per pitting.

- Cacciavite Torx T10 (coperchio, switch Media Converter con fissaggio cavo)
- Cacciavite Torx T20 (rimozione del coperchio della cupola)
- Cacciavite Torx T25 (sostituzione della cupola)

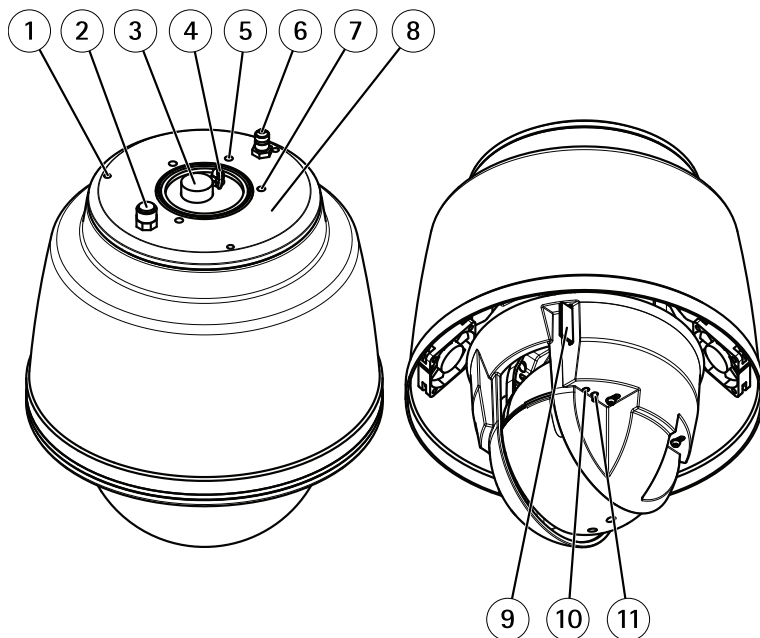
- Cacciavite scanalato 2,5 mm (socket, switch Media Converter)
- Chiave 7 mm (switch Media Converter vite di terra)
- Chiave/socket 8 mm (5/16") (Parasole, staffa su palo T91C67 (fascetta stringitubo))
- Chiave/socket 10 mm (3/8") (Adattatore staffa AXIS T91C61, AXIS T94S01D, Staffa su palo T91C67)
- Pinza per il capocorda (switch Media Converter cavo di terra)
- Tronchese (cavi)
- Spelafili (connessione cavo)

Accessori opzionali

- AXIS T91C61 per montaggio a parete
- Kit per montaggio a sospensione AXIS T94S01D
- Supporto per il montaggio su palo AXIS T91C67
- Parasole
- Copertura a cupola oscurata
- Alimentatore AXIS T8008 PS12
- Scheda di controllo videosorveglianza AXIS T8310
- Illuminatori AXIS T90B
- Display d'installazione

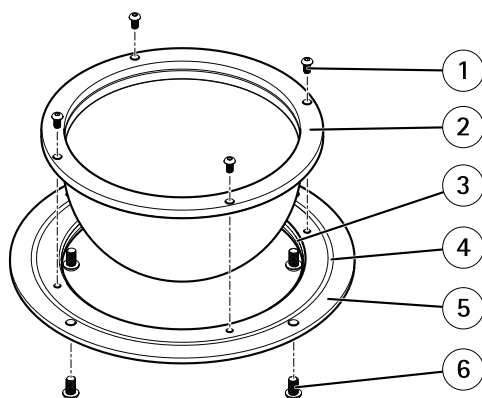
Visitare il sito Web www.axis.com per ottenere informazioni sugli accessori disponibili.

Panoramica dell'hardware



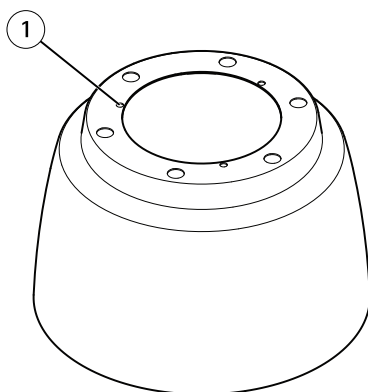
- 1 Foro di montaggio per la tettoia (3x)
- 2 Valvola limitatrice della pressione
- 3 Multiconnettore
- 4 Gancio per cavo di sicurezza
- 5 Foro per la guida
- 6 Valvola di aspirazione
- 7 Foro di montaggio (3x)
- 8 Codice dispositivo (P/N) e numero di serie (S/N)
- 9 Slot per scheda SD (SDHC)
- 10 Indicatore LED stato
- 11 Pulsante di comando

Coperchio della cupola



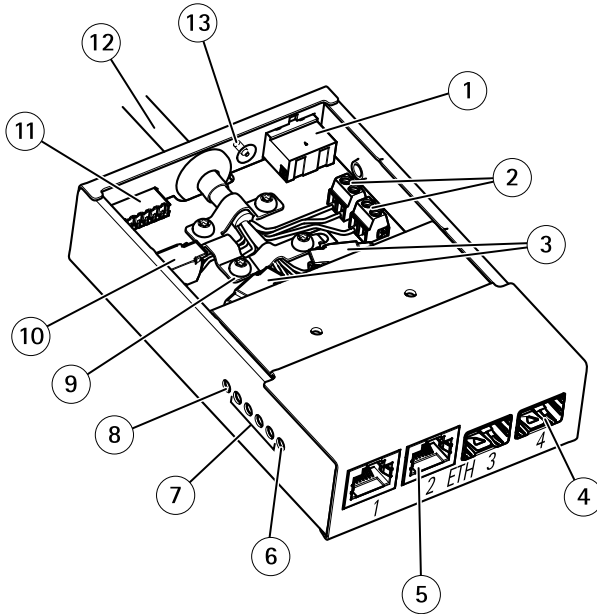
- 1 *Vite staffa cupola T25 (4x)*
- 2 *Coperchio della cupola*
- 3 *Guarnizione in gomma*
- 4 *Guarnizione in gomma*
- 5 *Anello cupola*
- 6 *Viti anello cupola T20 (4x)*

Parasole (venduto separatamente)



- 1 *Fori per le viti*

Switch Media Converter



- 1 Morsettiera di alimentazione (ingresso CC)
- 2 Morsettiera di alimentazione (uscita CC)
- 3 Connettore di rete (interno)
- 4 SFP slot di rete (esterni) (2x)
- 5 Connettore di rete RJ45 (esterno) (2x)
- 6 Indicatore LED telecamera
- 7 Indicatore LED di rete (4)
- 8 Indicatore LED di alimentazione
- 9 Clip di massa
- 10 Morsettiera I/O (interna)
- 11 Morsettiera I/O (esterna)
- 12 Cavo multiconnettore
- 13 Vite a terra

Indicatori LED

LED	Colore	Indicazione
LED di stato	Spento	Connessione e operazione normale
	Giallo	Costante durante l'avvio. Lampeggia durante l'aggiornamento del firmware.
	Giallo/rosso	Lampeggia in giallo/rosso se il Collegamento di rete non è disponibile o è stato perso.
	Rosso	Lampeggia in rosso se l'aggiornamento del firmware non è andato a buon fine.
	Verde	Una luce verde fissa per 10 secondi indica il normale funzionamento dopo il riavvio.

Indicatori LED Switch Media Converter

LED	Colore	Indicazione
Alimentazione	Spento	Alimentazione CC non connessa o protezione della corrente innestata (sovraccarico di alimentazione)
	Verde	Connesso all'alimentazione CC.
Rete (4)	Giallo	Connessione 10 Mbit. Lampeggia durante l'attività.
	Verde	Connessione 100/1000 Mbit. Lampeggia durante l'attività.
Telecamera	Verde	Connessione 100 Mbit. Lampeggia durante l'attività.

Connettori e pulsanti

Per le specifiche e le condizioni di funzionamento, consultare *pagina 107*.

Connettore di rete

AWISO

Collegare il prodotto con un cavo di rete schermato (STP). Tutti i cavi che collegano il prodotto alla rete sono destinati al loro uso specifico. Accertarsi che i dispositivi di rete siano installati secondo le istruzioni del produttore. Per maggiori informazioni sui requisiti normativi, consultare *Electromagnetic Compatibility (EMC) on page 2*.

Multiconnettore

Il terminal connector serve a connettere il media converter switch a corredo, provvede alle seguenti funzionalità:

- Alimentazione CC
- Rete (Ethernet 10/100Base-T)
- Input/Output (I/O)

Il cavo multiconnettore è richiesto per mantenere la classificazione NEMA/IP del dispositivo. Per ulteriori informazioni, consultare *Cavo multiconnettore alla pagina 103*.

Slot per scheda SD

Supporta schede SD con un massimo di 64 GB di archiviazione. Per ottenere prestazioni di registrazione ideali, utilizzare una scheda SDHC o SDXC con classe di velocità 10.

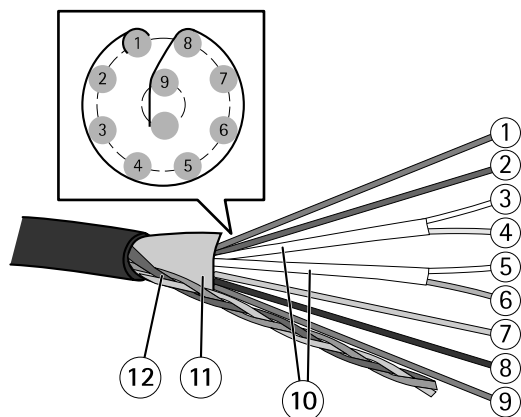
Pulsante di comando

Il pulsante di comando viene utilizzato per:

- Ripristino del prodotto alle impostazioni predefinite di fabbrica. Consultare *pagina 120*.
- Collegamento a un servizio AXIS Video Hosting System o AXIS Internet Dynamic DNS Service. Per ulteriori informazioni su questi servizi, consultare il Manuale Utente.

Cavo multiconnettore

Il cavo multiconnettore in dotazione è necessario per mantenere la classificazione NEMA/IP del dispositivo.



Panoramica cavo multiconnettore

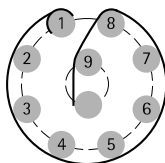
- 1 Cavo di alimentazione (rosso)
- 2 Cavo digitale I/O (blu)
- 3 Cavo Ethernet (verde/bianco)
- 4 Cavo Ethernet (verde)
- 5 Cavo Ethernet (arancio/bianco)
- 6 Cavo Ethernet (arancio)
- 7 Cavo digitale I/O (giallo)
- 8 Filo di massa (nero)
- 9 Cavo di alimentazione (rosso)
- 10 Schermo in lamina del cavo Ethernet (2x)
- 11 Schermo in lamina esterno
- 12 Bobina schermo intrecciato

Il cavo multiconnettore è connesso al connettore multiplo della telecamera, vedere *Panoramica dell'hardware* alla pagina 99.

I cavi sono collegati allo switch Media Converter in dotazione, consultare *Switch Media Converter* alla pagina 101.

Il cavo fornisce i seguenti segnali:

- Alimentazione CC alla telecamera
- Rete (Ethernet 10/100Base-T)
- Input/Output (I/O)



Funzione	Cavo – pin	Note	Specifiche
Configurabile (ingresso o uscita)	2 – blu 7 – giallo	Ingresso digitale: collegare al pin 8 per attivarlo o lasciarlo isolato (scollegato) per disattivarlo.	da 0 a max 30 V CC
		Uscita digitale: collegata al pin 1 se attiva, isolata (scollegata) se inattiva. Se utilizzata con un carico induttivo, ad esempio un relè esterno, è necessario collegare un diodo in parallelo al carico per proteggere il dispositivo da sovratensioni.	Da 0 a max 30 V CC, open-drain, 100 mA
RX+	3 – verde/bianco	Ethernet – ricevente	
RX-	4 – verde	Ethernet – ricevente	
TX+	5 – arancio/bianco	Ethernet – trasmittente	
TX-	6 – arancio	Ethernet – trasmittente	
0 V CC (-)	8 – nero		0 V CC
Uscita CC (12 V)	1, 9 – rosso	Utilizzato per alimentare la telecamera	12–13,2 V CC

Connettori switch Media Converter

Per le specifiche, consultare *pagina 107*.

AVVISO

Collegare il prodotto con un cavo di rete schermato (STP). Tutti i cavi che collegano il prodotto alla rete sono destinati al loro uso specifico. Accertarsi che i dispositivi di rete siano installati secondo le istruzioni del produttore. Per maggiori informazioni sui requisiti normativi, consultare *Electromagnetic Compatibility (EMC) on page 2*.

Importante

Lo switch Media Converter non supporta l'hot swapping. Scollegare l'alimentazione dallo switch prima dello swapping delle telecamere. Un tentativo di effettuare l'hot swapping potrebbe causare il blocco dello switch, in tal caso deve essere riavviato.

Morsettiera di alimentazione (ingresso CC) – Morsettiera a 2 pin per ingresso alimentazione.

Morsettiera di alimentazione (uscita CC) – Due morsettiere a 2 pin utilizzate per l'uscita dell'alimentazione (pin 4 non utilizzato).

Connettore di rete RJ45 (esterno) – Due connettori RJ45 (10/100Base-T) per connettività di rete.

SFP slot di rete (esterni) – Due slot SFP (100Base-FX/1000Base-X) per connettività di rete.

Ogni porta RJ45 e SFP ha il proprio dip switch. I dip switch controllano come la porta inoltra i dati. Per ulteriori informazioni, consultare la Guida per l'utente.

Posizione dip switch		Descrizione dell'utilizzo
Predefinito (medio)	B	Quando si effettua il collegamento alla rete, direttamente o tramite un router o uno switch di rete.
Sinistra	A	Quando si effettua il collegamento a una telecamera o a una periferica che non è destinata alla visualizzazione dei dati.
Destra	C	Quando si effettua il collegamento a un altro switch Media Converter.

Connettore di rete (interno) – Due morsettiere a 2-pin Ethernet.

Morsettiera I/O (esterna) – Morsettiera I/O a 6 pin configurabile, collegata alla telecamera tramite il cavo multiplo. Utilizzare con dispositivi esterni in combinazione con, ad esempio, allarmi antimanomissione, rilevazione del movimento, attivazione di eventi, registrazione temporizzata e notifiche di allarme. Oltre al punto di riferimento 0 V CC e all'alimentazione (uscita CC), il connettore I/O fornisce l'interfaccia per:

- **Uscita digitale** – Per collegare dispositivi esterni come relè o LED. I dispositivi collegati possono essere attivati tramite VAPIX® API (interfaccia per la programmazione di applicazioni), tramite i pulsanti di comando della pagina Live View (Immagini dal vivo) oppure tramite l'opzione Action Rule (regola di azione). L'uscita verrà visualizzata come attiva (visualizzata in **System Options > Port & Devices > Port Status (Opzioni di Sistema > Porta & Dispositivi > Stato porta)**) se il dispositivo di allarme è attivato.
- **Ingresso digitale** – Ingresso allarme utilizzabile per collegare le periferiche, che può passare dal circuito chiuso al circuito aperto, ad esempio: Sensori di movimento (PIR), contatti porta/finestra, rilevatori di rottura vetri e così via. Dopo la ricezione del segnale lo stato cambia e l'ingresso diventa attivo (visualizzato in **System Options > Port & Devices > Port Status (Opzioni di Sistema > Porte e Dispositivi > Stato porta)**).

Morsettiera I/O (interna) – Morsettiera I/O a 2-pin.

Dati tecnici

Condizioni di funzionamento

Il dispositivo Axis è destinato all'uso esterno.

Dispositivo	Classificazione	Temperatura	Umidità
AXIS Q6042-S	IEC 60721-4-3 Classe 3K3 IEC/EN 60529 IP66 ISO 20653 IP6K9K	Da - 30° C a 50° C (da - 22° F a 122° F)	10-100% UR (con condensa)
AXIS Q6044-S			
AXIS Q6045-S Mk II			

Condizioni di stoccaggio

Il dispositivo Axis è destinato all'uso esterno.

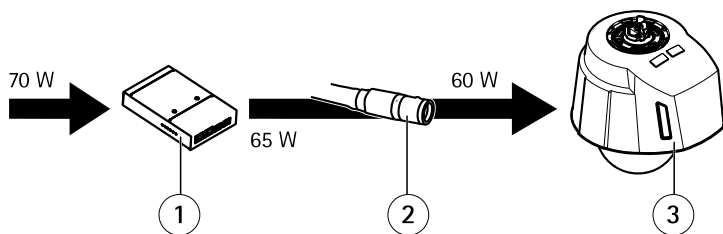
Dispositivo	Temperatura
AXIS Q6042-S	Da -40 °C a 60 °C (da -40 °F a 140 °F)
AXIS Q6044-S	
AXIS Q6045-S Mk II	

Specifiche elettriche

AWISO

Per stabilire la conformità ai requisiti di Bassissima Tensione di Sicurezza (SELV) e potenza limitata (LPS), utilizzare l'alimentatore elettrico (venduto separatamente) consigliato da Axis. Visitare il sito web www.axis.com per informazioni sugli accessori per l'alimentazione compatibili

Dispositivo	Funzione	Descrizione
AXIS Q6042-S AXIS Q6044-S AXIS Q6045-S Mk II	Potenza di ingresso	12 V CC, max 60 W
Switch Media Converter	Tensione in ingresso	12,0-13,2 V CC
	Potenza di ingresso	70 W (min)
	Potenza in uscita disponibile	65 W (min)
	Tensione nominale in uscita	12,5 V CC



- 1 Switch Media Converter
- 2 Cavo multiconnettore
- 3 Telecamera di rete

Connettori

Slot per scheda SD

Supporta schede SD con un massimo di 64 GB di archiviazione. Per ottenere prestazioni di registrazione ideali, utilizzare una scheda SDHC o SDXC con classe di velocità 10.

Connettori switch Media Converter

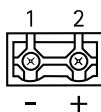
Connettori esterni

Vite a terra

Vite a terra per la connessione dello switch Media converter a terra alla messa a terra. Assicurarsi che entrambe le estremità del cavo di messa a terra siano in contatto con le rispettive superfici di messa a terra.

Morsettiera di alimentazione

Morsettiera a 2 pin per ingresso alimentazione.

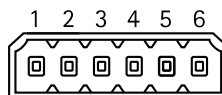


Funzione		Pin	Note	Specifiche
ingresso CC	0 V CC (-)	1		0 V CC
	12 V CC	2	Alimentazione dall'alimentatore (venduto separatamente)	12,0-13,2 V CC, min 75 W

Connettore per morsetti I/O

Morsettiere a 6 pin per:

- Input/Output Digitale
- Alimentazione (Uscita CC)
- 0 V CC (-)

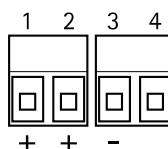


Funzione	Pin	Note	Specifiche
0 V CC (-)	1, 4, 6		0 V CC
Uscita CC	2	Alimentazione in uscita	12 V CC, 50 mA
Configurabile I/O 1 (ingresso o uscita)	3	Ingresso digitale	Da 0 a max 30 V CC
		Uscita digitale (transistor - collettore aperto)	Da 0 a max 30 V CC, open-drain, 100 mA
Configurabile I/O 2 (ingresso o uscita)	5	Ingresso digitale	Da 0 a max 30 V CC
		Uscita digitale (transistor - collettore aperto)	Da 0 a max 30 V CC, open-drain, 100 mA

Connettori telecamera

Morsettiere di alimentazione

Due morsettiere a 2 pin utilizzate per l'uscita dell'alimentazione (pin 4 non utilizzato).



Funzione	Pin	Note	Specifiche
Uscita CC	12 V CC	1, 2	Uscita alimentazione alla telecamera
	0 V CC (-)	3	
	N/a	4	N/a

Connettore di rete

Due morsettiere a 2-pin Ethernet.



Connettore per morsetti I/O

Morsettiera a 2 pin.



Installazione dell'Hardware

AVVISO

- A causa delle normative locali o condizioni ambientali ed elettriche, è consigliabile utilizzare un cavo di rete schermato (STP). Tutti i cavi di rete del dispositivo posizionati all'aperto o in ambienti elettrici in condizioni difficili sono destinati al loro uso specifico. Accertarsi che i dispositivi di rete siano installati secondo le istruzioni del produttore. Per maggiori informazioni sui requisiti normativi, consultare *Regulatory Information on page 2*.
- Montare il dispositivo con il coperchio della cupola rivolto verso il basso.
- Fare attenzione a non graffiare, danneggiare o lasciare impronte sul coperchio della cupola, perché potrebbe diminuire la qualità dell'immagine. Se possibile, tenere la protezione in plastica sul coperchio della cupola fino a quando l'installazione non sarà completata.

Il dispositivo Axis può essere installato con i cavi che passano attraverso o lungo la parete o il tetto.

Leggere attentamente tutte le istruzioni prima di installare il dispositivo. Alcune fasi d'installazione dovrebbero essere completate insieme perché richiedono la rimozione del coperchio della cupola.

L'installazione dell'hardware può richiedere quanto segue:

- Insieme al dispositivo, viene fornito un coperchio trasparente per la cupola (premontato). È disponibile un coperchio per la cupola sfumato come accessorio. Per sostituire il coperchio della cupola, consultare *pagina 111*.
- Una scheda SD standard o ad alta capacità (non inclusa) può essere utilizzata per memorizzare le registrazioni localmente nel dispositivo. Per installare una scheda SD, consultare *pagina 111*.
- Per installare il dispositivo utilizzando il sistema di montaggio a parete T91C61 (venduto separatamente), consultare *pagina 118*.

Fissaggio del parasole

Il fissaggio del parasole è facoltativo. Il parasole consente di mantenere bassa la temperatura all'interno della telecamera.

1. Rimuovere le viti di serraggio dall'unità della telecamera.
2. Posizionare il parasole nell'unità della telecamera.
3. Fissare il parasole in posizione utilizzando le viti fornite.

Sostituire il Coperchio della Cupola

La sostituzione del coperchio della cupola è necessaria solo se si desidera utilizzare un coperchio fumé o se il coperchio della cupola è graffiato o danneggiato. È possibile acquistare coperchi a cupola oscurati e coperchi trasparenti di ricambio presso il proprio rivenditore Axis.

Utilizzare la guida all'installazione fornita con il coperchio della cupola.

Installazione di una scheda SD

È facoltativo installare una scheda di memoria SD (non inclusa), che può essere usata per la registrazione in modalità locale con unità di archiviazione rimovibile.

1. Allentare le viti dell'anello della cupola e rimuovere il coperchio della cupola.
2. Inserire una scheda SD (non inclusa) nello slot per schede SD.
3. Fissare il coperchio della cupola al coperchio superiore e serrare le viti (serraggio 3,2 Nm).

AVVISO

Per prevenire il danneggiamento delle registrazioni, la scheda SD deve essere smontata prima dell'espulsione. Per scollegare, andare su **Setup > System Options > Storage > SD Card (Configurazione > Opzioni di sistema > Archiviazione > Scheda SD)** e fare clic su **Smonta**.

Pressurizzare la telecamera (Consigliato)

L'alloggiamento della telecamera può essere riempito con azoto per impedire la formazione di condensa.

Il processo di riempimento viene ripetuto tre volte, rilasciando la pressione tra i riempimenti, per assicurare che l'aria e l'umidità siano ripulite dall'alloggiamento.

Nota

L'alloggiamento della telecamera ha una valvola limitatrice della pressione che limita quando la pressione di riempimento a 0,5 bar (7 psi). Durante il normale utilizzo la pressione all'interno dell'alloggiamento della telecamera potrebbe abbassarsi al di sotto di tale pressione. Per una protezione completa verificare che la pressione sia superiore a 0,2 (3 psi).

1. Impostare il regolatore nel cilindro del gas su 0,5 bar (7 psi).
2. Rimuovere i cappucci dalla valvola di aspirazione e dalla valvola limitatrice della pressione.
3. Posizionare la pinza nella valvola di aspirazione e premere per riempire la telecamera con azoto.
4. Quando la pressione all'interno dell'alloggiamento della telecamera raggiunge 0,5 bar (7 psi) la valvola limitatrice della pressione verrà aperta. Posizionare la mano sulla valvola limitatrice della pressione per verificare che il gas stia uscendo.
5. Far uscire il gas attraverso l'alloggiamento della telecamera per un minuto prima di rimuovere la pinza dalla valvola di aspirazione.
6. Sollevare la valvola limitatrice della pressione affinché la sovrappresione esca dall'unità della telecamera.
7. Ripetere il processo di riempimento per un totale di 3 volte, lasciando la telecamera pressurizzata l'ultima volta.
8. Riposizionare i cappucci sulla valvola di aspirazione e dalla valvola limitatrice della pressione.

Installazione dell'alimentatore e dello switch Media Converter

Lo switch Media Converter in dotazione, mediante il cavo multiconnettore, consente al dispositivo di essere alimentato (tramite alimentatore venduto separatamente), inviare e ricevere dati di rete e connettere periferiche di allarme esterne.

AVVISO

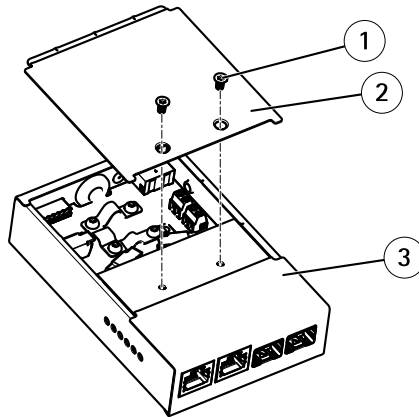
- Assicurarsi che le connessioni alla rete e le canaline siano state installate da un tecnico qualificato, secondo le istruzioni del produttore e in conformità alle normative locali.
- L'alimentatore (venduto separatamente) e lo switch Media Converter saranno installati in un ambiente protetto da polvere e acqua, per esempio all'interno o in un idoneo armadietto.
- A causa delle normative locali o condizioni ambientali ed elettriche, è consigliabile utilizzare un cavo di rete schermato (STP). Tutti i cavi di rete del prodotto posizionati all'aperto o in ambienti elettrici in condizioni difficili sono destinati al loro uso specifico. Accertarsi che i dispositivi di rete siano installati secondo le istruzioni del produttore. Per maggiori informazioni sui requisiti normativi, consultare *Regulatory Information on page 2*.

Importante

Axis garantisce un funzionamento corretto solo se si utilizza lo switch Media Converter in dotazione. Non supporta altri dispositivi.

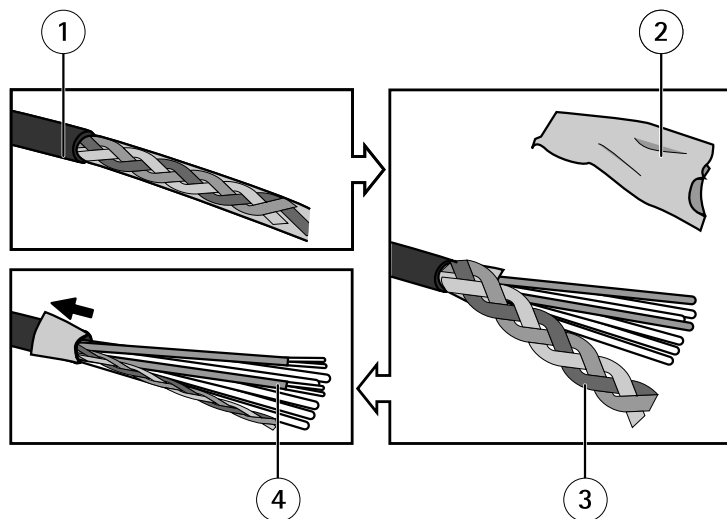
1. Assicurarsi che la rete sia scollegata.
2. Montare l'alimentatore e lo switch Media Converter alla parete o, se necessario, fissarli a una barra DIN nell'armadietto. Se è necessario forare, assicurarsi di utilizzare punte, viti e tasselli adatti al materiale.

3. Allentare le viti e rimuovere il coperchio dallo switch Media Converter.



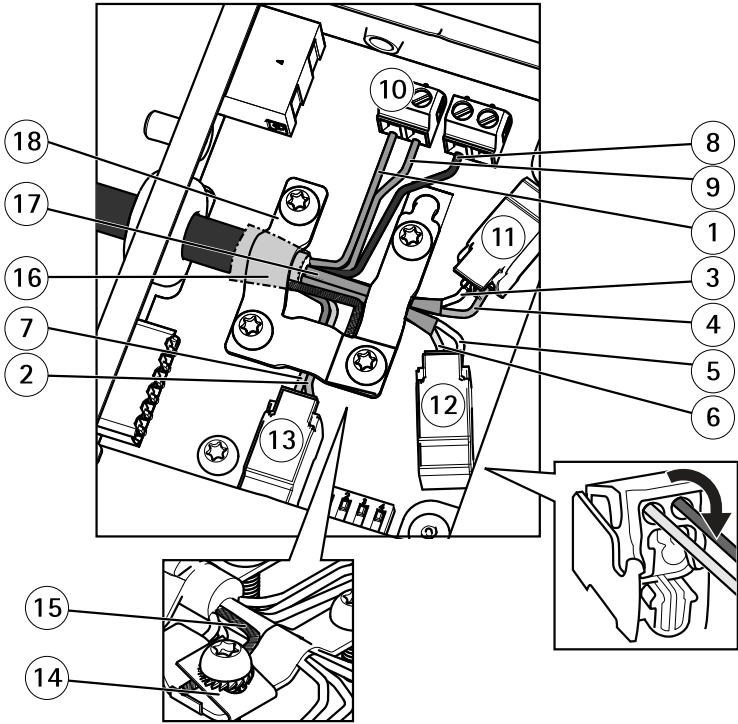
- 1 Vite (2x)
- 2 Coperchio
- 3 Switch Media Converter

4. Togliere 40 mm (1.57 in) del rivestimento del cavo multiplo.
5. Lasciare intatto lo schermo intrecciato, ma tagliare 30 mm (1.18 in) dello schermo in lamina esterno.
6. Ripiegare il restante schermo in lamina esterno e torcere lo schermo intrecciato in una bobina.
7. Tagliare 7–8 mm circa (0,27–0,32 pollici) degli schermi in lamina del cavo Ethernet.
8. Togliere 4–5 mm circa (0,16–0,20 pollici) di tutti i rivestimenti del cavo di alimentazione.



- 1 *Rivestimento cavo multiconnettore*
- 2 *Schermo in lamina esterno*
- 3 *Schermo intrecciato*
- 4 *Schermo in lamina del cavo Ethernet (2x)*

9. Collegare i cavi di rete e di I/O ai connettori di rete e di I/O interni. Aprire il coperchio, inserire i cavi e chiudere.
10. Connettere i cavi di terra e di alimentazione al connettore di alimentazione (uscita CC).



- 1 Cavo di alimentazione (rosso)
- 2 Cavo digitale I/O (blu)
- 3 Cavo Ethernet (verde/bianco)
- 4 Cavo Ethernet (verde)
- 5 Cavo Ethernet (arancio/bianco)
- 6 Cavo Ethernet (arancio)
- 7 Cavo digitale I/O (giallo)
- 8 Filo di massa (nero)
- 9 Cavo di alimentazione (rosso)
- 10 Morsettiera di alimentazione (uscita CC)
- 11 Connettore Ethernet (interno)
- 12 Connettore Ethernet (interno)
- 13 Morsettiera I/O (interna)
- 14 Clip di massa
- 15 Bobina schermo intrecciato
- 16 Schermo in lamina esterno
- 17 Schermo del cavo Ethernet (2x)
- 18 Morsetto

11. Assicurarsi che il morsetto sia in posizione, inserire la bobina di schermo intrecciato nella clip di massa e serrare le viti.

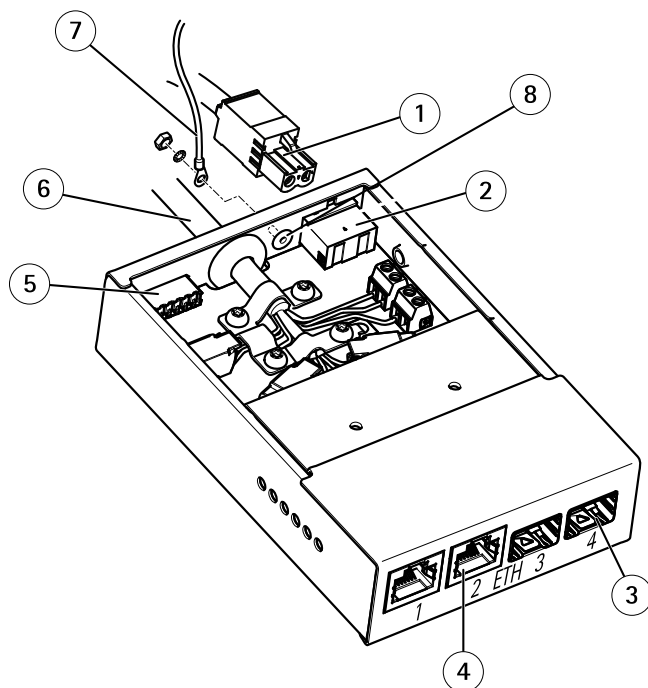
AVISO

- Gli schermi e le superfici del morsetto devono essere perfettamente in contatto l'uno con l'altro, così che il cavo multiconnettore sia a terra.
- Verificare che il rivestimento del cavo multiconnettore sia fissato saldamente dal morsetto.
- Assicurarsi che tutte le superfici e i contatti siano puliti e liberi da materiale di scarto dello schermo.

12. Collegare i cavi di rete ai connettori di rete esterni (RJ45, SFP) come richiesto.

Nota

Un modulo SFP (non incluso) deve essere utilizzato quando si collega un cavo a fibra ottica.



- 1 Cavo di alimentazione (ingresso CC)
- 2 Morsettiera di alimentazione (ingresso CC)
- 3 Connettore di rete SFP (esterno) (2x)
- 4 Connettore di rete RJ45 (esterno) (2x)
- 5 Morsettiera I/O (esterna)

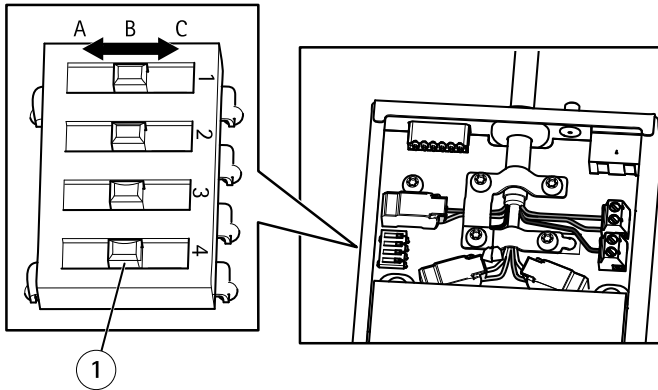
- 6 Cavo multiconnettore IP66
- 7 Filo di massa
- 8 Vite a terra

- 13. Se necessario, collegare una periferica I/O alla morsettiera I/O esterna.
- 14. Collegare il cavo di alimentazione (ingresso CC) alla morsettiera di alimentazione (ingresso CC) tramite un connettore a blocco terminale.
- 15. Fissare il cavo di terra alla vite a terra (posizione 8 nella figura).
- 16. Se si collegano diversi switch Media Converter in una catena a margherita, impostare il dip switch di ogni porta del connettore di rete in uscita che si collega a un altro switch Media Converter in posizione C.

Lasciare il dip switch nella posizione predefinita (posizione B) quando si collega la porta direttamente alla rete. Per ulteriori informazioni, consultare *Connettori switch Media Converter alla pagina 105* e la Guida per l'utente.

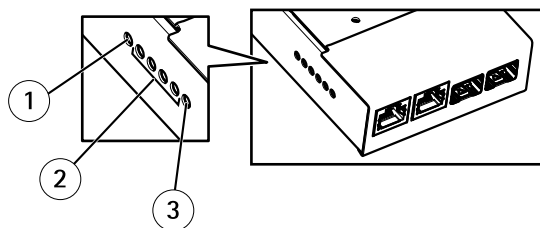
Importante

Usare l'impostazione del dip switch predefinita (posizione B) se il sistema non è definito.



1 Dip switch (4)

- 17. Fissare il coperchio allo switch Media Converter.
- 18. Inserire l'alimentazione di rete.
- 19. Verificare che gli indicatori LED dello switch Media Converter indichino le condizioni corrette. Per ulteriori informazioni, consultare *Indicatori LED Switch Media Converter alla pagina 102*.



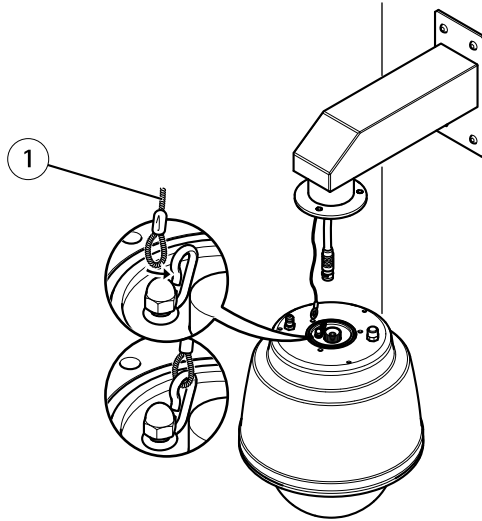
- 1 *Indicatore LED di alimentazione*
- 2 *Indicatore LED di rete (4) ETH 1/2/3/4*
- 3 *Indicatore LED telecamera*

Installazione della telecamera di rete

AVVISO

È necessario utilizzare il cavo multiconnettore in dotazione per mantenere inalterate le caratteristiche di tenuta e protezione di classe IP66 della telecamera.

1. Installare la staffa selezionata (venduta separatamente) secondo le istruzioni fornite con la staffa. Se è necessario forare, assicurarsi di utilizzare punte, viti e tasselli adatti al materiale. Visitare il sito web www.axis.com per informazioni sugli accessori di montaggio disponibili.
2. Passare il cavo multiplo attraverso i fori della staffa di montaggio.
3. Fissare la telecamera utilizzando il cavo di sicurezza in dotazione.



Esempio di montaggio (staffa a parete venduta separatamente)

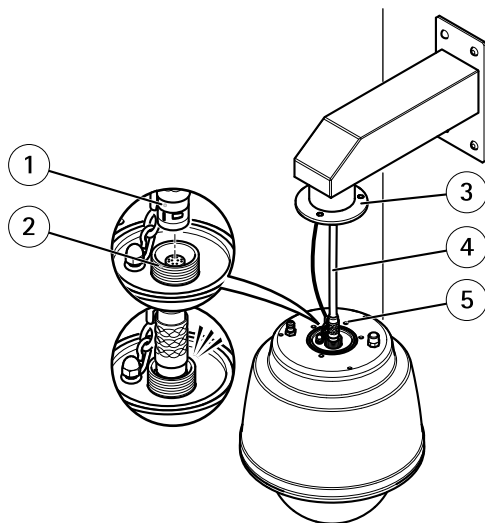
1 Cavo di sicurezza

4. Rimuovere il cappuccio di protezione che copre il multiconnettore della telecamera.
5. Collegare il cavo multiplo alla morsettiera della telecamera. Usare gli indicatori di allineamento per trovare la posizione corretta.

AVVISO

Fare attenzione a non danneggiare il cavo multiconnettore quando lo si collega.

6. Allineare il foro della guida nella telecamera con il pin guida nella flangia e fissare la telecamera di rete alla staffa di montaggio con le viti.



Esempio di montaggio (staffa a parete venduta separatamente)

- 1 *Indicatore di allineamento – cavo multiconnettore*
- 2 *Indicatore di allineamento – telecamera*
- 3 *Flangia*
- 4 *Cavo multiconnettore*
- 5 *Foro per la guida*

Accedere al Prodotto

Utilizzare le utility contenute nel CD del software d'installazione e configurazione per assegnare un indirizzo IP, impostare la password ed accedere al flusso video. Queste informazioni sono disponibili anche sulle pagine dedicate all'assistenza sul sito www.axis.com/techsup/

Ripristino dei valori predefiniti di fabbrica

Importante

Il ripristino delle impostazioni di fabbrica deve essere usato con cautela. Un ripristino delle impostazioni di fabbrica consentirà di ripristinare le impostazioni di fabbrica per tutti i parametri, incluso l'indirizzo IP.

Nota

Gli strumenti per l'installazione e la gestione del software sono disponibili sul CD fornito con il dispositivo e sulle pagine dedicate all'assistenza sul sito Web www.axis.com/techsup.

Per ripristinare il dispositivo alle impostazioni predefinite di fabbrica:

1. Scollegare l'alimentazione dal dispositivo.
2. Tenere premuto il pulsante di controllo e ricollegare l'alimentazione. Vedere *Panoramica dell'hardware alla pagina 99*.
3. Tenere premuto il pulsante di controllo per 15–30 secondi circa fino a quando l'indicatore LED di stato lampeggerà in giallo.
4. Rilasciare il pulsante di comando. Il processo è completo quando il LED di stato diventerà verde. Il dispositivo è stato reimpostato alle impostazioni di fabbrica predefinite. Se nessun server DHCP è disponibile in rete, l'indirizzo IP predefinito è 192.168.0.90.
5. Mediante i software di installazione e gestione, assegnare un indirizzo IP, impostare la password e accedere al flusso video.

È anche possibile reimpostare i parametri alle impostazioni predefinite di fabbrica mediante l'interfaccia web. Andare a **Setup > System Options > Maintenance (Configurazione > Opzioni di sistema > Manutenzione)**.

Ulteriori Informazioni

Il Manuale per l'Utente è disponibile all'indirizzo www.axis.com

Visitare il sito all'indirizzo www.axis.com/techsup per verificare se sono stati pubblicati aggiornamenti del firmware per il proprio dispositivo di rete. Per conoscere la versione del firmware installata, andare su **Setup (Impostazioni) > About (Informazioni su)**.

Visitare il Centro di apprendimento Axis alla pagina www.axis.com/academy per servizi di formazione utili, webinar, tutorial e guide.

Informazioni sulla garanzia

Per informazioni sulla garanzia del prodotto Axis e informazioni ad esso relative, consultare la pagina www.axis.com/warranty/

Información de seguridad

Lea esta Guía de instalación con atención antes de instalar el producto. Guarde la Guía de instalación para poder consultarla en otro momento.

Niveles de peligro

▲PELIGRO

Indica una situación peligrosa que, si no se evita, provocará lesiones graves o la muerte.

▲ADVERTENCIA

Indica una situación peligrosa que, si no se evita, puede provocar lesiones graves o la muerte.

▲ATENCIÓN

Indica una situación peligrosa que, si no se evita, puede provocar lesiones moderadas o leves.

AVISO

Indica una situación peligrosa que, si no se evita, puede provocar daños materiales.

Otros niveles de mensaje

Importante

Indica información importante que es fundamental para que el producto funcione correctamente.

Nota

Indica información útil que ayuda a aprovechar el producto al máximo.

Instrucciones de seguridad

▲ADVERTENCIA

- El encargado de instalar el producto de Axis debe ser un profesional con experiencia.

AVISO

- El producto de Axis debe utilizarse de acuerdo con las leyes y normas locales.
- Almacene el producto de Axis en un entorno seco y ventilado.
- Evite la exposición del producto de Axis a choques o a una fuerte presión.
- No instale el producto en soportes, superficies o paredes inestables.
- Utilice solo las herramientas correspondientes cuando instale el producto de Axis. La aplicación de una fuerza excesiva puede provocar daños en el producto.
- No utilice limpiadores en aerosol, agentes cáusticos ni productos químicos.
- Limpie con un trapo limpio humedecido con agua pura.
- Utilice solo accesorios que cumplan con las especificaciones técnicas del producto. Estos accesorios los puede proporcionar Axis o un tercero.
- Utilice solo piezas de repuesto proporcionadas o recomendadas por Axis.
- No intente reparar el producto usted mismo. Póngase en contacto con el servicio de asistencia técnica de Axis o con su distribuidor de Axis para tratar asuntos de reparación.

Transporte

AVISO

- Mantenga el embalaje de protección. Cuando transporte el producto de Axis, el embalaje de protección debe volver a ponerse en su posición original.
- Cuando transporte el producto de Axis, utilice el embalaje original o un equivalente para evitar daños en el producto.

Batería

Este producto de Axis utiliza una batería de litio BR/CR2032 de 3,0 V como fuente de alimentación del reloj interno en tiempo real. En condiciones normales, esta batería durará un mínimo de cinco años.

Un nivel bajo de batería afectará al funcionamiento del reloj en tiempo real, lo que provocará el restablecimiento de este cada vez que se encienda el producto. Cuando sea necesario sustituir la batería, aparecerá un mensaje de registro en el informe del servidor del producto. Para obtener más información sobre el informe del servidor, vea las páginas de configuración del producto o póngase en contacto con el servicio de asistencia técnica de Axis.

La batería no debe sustituirse a menos que sea necesario; no obstante, si precisa hacerlo, póngase en contacto con el servicio de asistencia técnica de Axis en www.axis.com/techsup para solicitar ayuda.

⚠ADVERTENCIA

- La sustitución incorrecta de la batería implica riesgo de explosión.
- Sustituya la batería con una batería idéntica u otra batería recomendada por Axis.
- Deseche las baterías usadas de conformidad con la normativa local o las instrucciones del fabricante.

Cubierta del domo

AVISO

- Preste atención a no arañar, dañar o dejar las huellas en la cubierta del domo, puesto que esto puede provocar una disminución de la calidad de imagen. Si es posible, mantenga el plástico de protección en la cubierta del domo hasta que se complete la instalación.
- No limpie la cubierta del domo si parece a simple vista que está limpia y nunca pule la superficie. Una limpieza excesiva podría dañar la superficie.
- Para realizar un procedimiento de limpieza general de la cubierta del domo se recomienda usar detergente o jabón neutros, sin disolventes y no abrasivos mezclados con agua pura, y un trapo suave y limpio. Enjuague bien con agua pura y tibia. Seque con un trapo limpio y suave para evitar las manchas de gotas de agua.
- Nunca utilice detergentes abrasivos o alcoholes (isopropilo, butilo y propilo) y evite limpiar la cubierta del domo a temperaturas elevadas o en contacto directo con la luz solar.

Guía de instalación

Esta Guía de instalación incluye las instrucciones necesarias para instalar la cámara de red domo PTZ AXIS Q6042-S, la cámara de red domo PTZ AXIS Q6044-S o la cámara de red domo PTZ AXIS Q6045-S Mk II en la red. Para conocer otros aspectos de uso del producto, consulte el Manual del usuario disponible en www.axis.com

Pasos de la instalación

1. Asegúrese de que dispone del contenido del paquete, las herramientas y los demás materiales necesarios para la instalación. *Vea página 127.*
2. Estudie la información general del hardware. *Vea página 129.*
3. Estudie las especificaciones. *Vea página 137.*
4. Instale el hardware. *Vea página 140.*
5. Acceda al producto. *Vea página 150.*

Contenido del paquete

- Cámara de red domo PTZ AXIS Q6042-S, cámara de red domo PTZ AXIS Q6044-S o cámara de red domo PTZ AXIS Q6045-S Mk II
- Conmutador de conversión de medios AXIS T8605
- Cable multiconector (IP66), 7 m
- Clip de carril DIN
- CD del software de instalación y gestión
- Materiales impresos
 - Guía de instalación (este documento)
 - Etiquetas adicionales con el número de serie (2x)
 - Clave de autenticación AVHS

Herramientas recomendadas

AVISO

El acero inoxidable es resistente a la corrosión, pero puede aparecer óxido externo si el material se manipula de forma incorrecta. Utilice herramientas de acero inoxidable para evitar la aparición de restos de óxido y la corrosión por picadura.

- Destornillador Torx T10 (tapa, abrazadera para cable, conmutador de conversión de medios)
- Destornillador Torx T20 (desmontaje de la cubierta del domo)

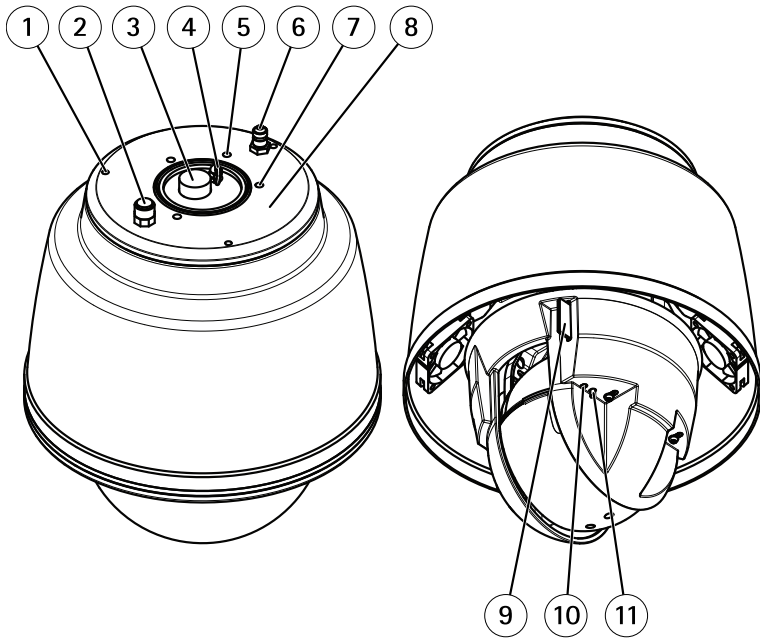
- Destornillador Torx T25 (sustitución de domo)
- Destornillador plano de 2,5 mm (conector, conmutador de conversión de medios)
- Llave de 7 mm (tornillo de tierra, conmutador de conversión de medios)
- Llave/conector de 8 mm (parasol, soporte en poste T91C67 [abrazadera para manguera])
- Llave/conector de 10 mm (adaptador de escuadra AXIS T91C61, AXIS T94S01D, soporte en poste T91C67)
- Alicates de zapata para cable (cable de tierra, conmutador de conversión de medios)
- Alicates de corte diagonal (cables)
- Pelacables (conexión de cable)

Accesorios opcionales

- Montaje en pared AXIS T91C61
- Kit colgante AXIS T94S01D
- Montaje en poste AXIS T91C67
- Parasol
- Cubierta del domo ahumada
- Fuente de alimentación AXIS T8008 PS12
- Consola de control de videovigilancia AXIS T8310
- Iluminadores AXIS T90B
- Monitor de instalación

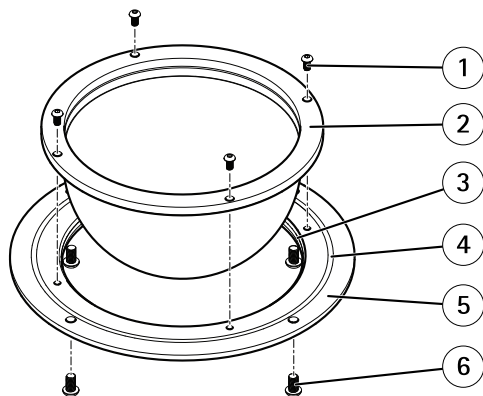
Para obtener información sobre los accesorios disponibles, visite www.axis.com.

Información general del hardware



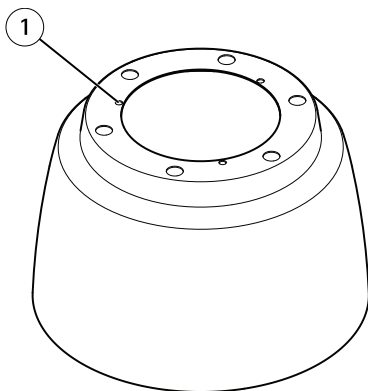
- 1 Orificio de montaje para parasol (3x)
- 2 Válvula disipadora de presión
- 3 Multiconector
- 4 Gancho para cable de seguridad
- 5 Orificio guía
- 6 Válvula de entrada
- 7 Orificio de montaje (3x)
- 8 Número de pieza (P/N) y número de serie (S/N)
- 9 Ranura para tarjetas SD (SDHC)
- 10 Indicador LED de estado
- 11 Botón de control

Cubierta del domo



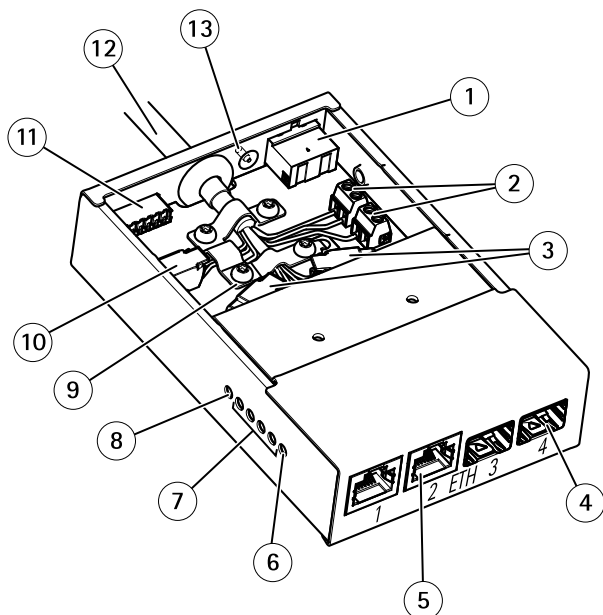
- 1 Tornillo del soporte del domo T25 (4x)
- 2 Cubierta del domo
- 3 Junta de goma
- 4 Junta de goma
- 5 Anillo del domo
- 6 Tornillo del anillo del domo T20 (4x)

Parasol (se vende por separado)



- 1 Orificios para tornillos

Conmutador de conversión de medios



- 1 Conector de corriente (entrada de CC)
- 2 Conector de corriente (salida de CC)
- 3 Conector de red (interno)
- 4 Ranura de red SFP (externa) (2x)
- 5 Conector de red RJ45 (externo) (2x)
- 6 Indicador LED de la cámara
- 7 Indicador LED de red (4x)
- 8 Indicador LED de corriente
- 9 Clip de tierra
- 10 Conector de E/S (interno)
- 11 Conector de E/S (externo)
- 12 Cable multiconector
- 13 Tornillo de tierra

Indicadores LED

LED	Color	Indicación
Estado	Apagado	Conexión y funcionamiento normal
	Ámbar	Fijo durante el inicio. Parpadea durante la actualización del firmware.
	Ámbar/rojo	Parpadea en ámbar/rojo si la conexión a la red no está disponible o se ha perdido.
	Rojo	Parpadea en rojo si se produce un error durante la actualización del firmware.
	Verde	Se muestra fijo durante 10 segundos para indicar un funcionamiento normal después del reinicio.

Indicadores LED del conmutador de conversión de medios

LED	Color	Indicación
Alimentación	Apagado	Alimentación CC sin conectar o protección de corriente bloqueada (potencia excesiva)
	Verde	Alimentación CC conectada.
Red (4x)	Ámbar	Conexión de 10 Mbits. Parpadea durante la actividad.
	Verde	Conexión de 100/1000 Mbits. Parpadea durante la actividad.
Cámara	Verde	Conexión de 100 Mbits. Parpadea durante la actividad.

Conectores y botones

Para conocer las especificaciones y las condiciones de funcionamiento, vea *página 137*.

Conector de red

AVISO

El producto se conectará mediante un cable de red blindado (STP). Todos los cables que conecten el producto a la red deberán estar blindados para su uso específico. Asegúrese de que los dispositivos de red estén instalados de conformidad con las instrucciones del fabricante. Para obtener información sobre los requisitos normativos, vea *Electromagnetic Compatibility (EMC) on page 2*.

Multiconector

Conector de terminales para la conexión del conmutador de conversión de medios suministrado, que proporciona las señales siguientes:

- Alimentación de CC
- Red (Ethernet 10/100Base-T)
- Entrada/salida (E/S)

Se debe usar el cable multiconector suministrado para mantener la clasificación NEMA/IP del producto. Para obtener más información, vea *Cable multiconector en la página 133*.

Ranura para tarjetas SD

Admite tarjetas SD de hasta 64 GB de capacidad de almacenamiento. Para obtener un rendimiento de grabación óptimo, utilice una tarjeta SDHC o SDXC de velocidad de clase 10.

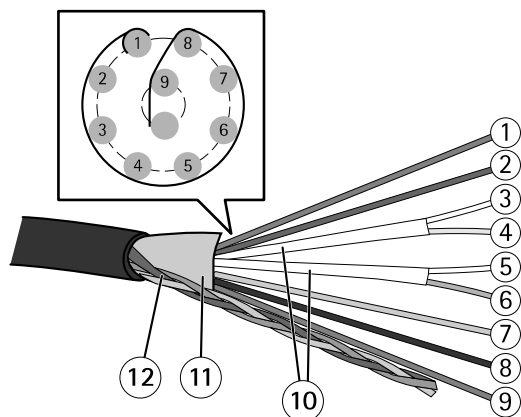
Botón de control

El botón de control se utiliza para lo siguiente:

- Restablecer el producto a la configuración predeterminada de fábrica. Vea *página 150*.
- Conectarse a un servicio AXIS Video Hosting System o al Servicio de DNS dinámico de Internet de AXIS. Para obtener más información sobre estos servicios, vea el Manual del usuario.

Cable multiconector

Se debe usar el cable multiconector suministrado para mantener la clasificación NEMA/IP de la cámara.



Información general del cable multiconector

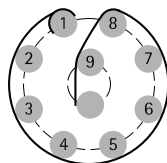
- 1 Cable de alimentación (rojo)
- 2 Cable de E/S digital (azul)
- 3 Cable Ethernet (verde/blanco)
- 4 Cable Ethernet (verde)
- 5 Cable Ethernet (naranja/blanco)
- 6 Cable Ethernet (naranja)
- 7 Cable de E/S digital (amarillo)
- 8 Cable de tierra (negro)
- 9 Cable de alimentación (rojo)
- 10 Cubierta blindada del cable Ethernet (2x)
- 11 Cubierta blindada exterior
- 12 Bobina de cubierta trenzada

El cable multiconector se conecta al multiconector de la cámara, vea *Información general del hardware en la página 129*.

Los cables se conectan al conmutador de conversión de medios suministrado, vea *Conmutador de conversión de medios en la página 131*.

El cable proporciona las siguientes señales:

- Alimentación de CC a la cámara
- Red (Ethernet 10/100Base-T)
- Entrada/salida (E/S)



Función	Pin: cable	Notas	Especificaciones
Configurable (entrada o salida)	2: azul 7: amarillo	Entrada digital: Conéctela al pin 8 para activarla, o bien déjala suelta (sin conectar) para desactivarla.	0 a 30 V CC máx.
		Salida digital: Conectada al pin 1 cuando se activa y suelta (sin conectar) cuando está desactivada. Si se utiliza con una carga inductiva (por ejemplo, un relé), debe conectarse un diodo en paralelo a la carga como protección ante transitorios de tensión.	De 0 a 30 V CC máx., Colector abierto, 100 mA
RX+	3: verde/blanco	Ethernet: recepción	
RX-	4: verde	Ethernet: recepción	
TX+	5: naranja/blanco	Ethernet: transmisión	
TX-	6: naranja	Ethernet: transmisión	
0 V CC (-)	8: negro		0 V CC
Salida de CC (12 V)	1, 9: rojo	Se utiliza para conectar la cámara.	12–13,2 V CC

Conectores del conmutador de conversión de medios

Para conocer las especificaciones, vea *página 137*.

AVISO

El producto se conectará mediante un cable de red blindado (STP). Todos los cables que conecten el producto a la red deberán estar blindados para su uso específico. Asegúrese de que los dispositivos de red estén instalados de conformidad con las instrucciones del fabricante. Para obtener información sobre los requisitos normativos, vea *Electromagnetic Compatibility (EMC) on page 2*.

Importante

El conmutador de conversión de medios no es compatible con el intercambio en funcionamiento. Desenchufe la corriente del conmutador antes de intercambiar las cámaras. Si intenta efectuar un intercambio en funcionamiento, es posible que el conmutador se bloquee y sea necesario reiniciarlo.

Conector de corriente (entrada de CC) – Bloque de terminales de 2 pines para la entrada de alimentación.

AXIS Q60-S Series

Conector de corriente (salida de CC) – Dos bloques de terminales de 2 pines para la salida de alimentación (el terminal 4 no se usa).

Conector de red RJ45 (externo) – Dos conectores RJ45 (10/100Base-T) para la conectividad de red.

Ranura de red SFP (externa) – Dos ranuras SFP (100Base-FX/1000Base-X) para la conectividad de red.

Los puertos RJ45 y SFP cuentan con sus propios conmutadores DIP. Los conmutadores DIP controlan la forma en la que el puerto envía los datos. Para obtener más información, vea el manual de usuario.

Posición del conmutador DIP		Descripción de uso
Predeterminado (parte central)	B	Cuando se conecta a la red, directamente o a través de un conmutador de red o enrutador.
Izquierda	A	Cuando se conecta a una cámara o a un dispositivo no creado para la visualización de datos.
Derecha	C	Cuando se conecta a otro conmutador de conversión de medios.

Conector de red (interno) – Dos bloques de terminales Ethernet de 2 pines.

Conector de E/S (externo) – Bloque de terminales de E/S configurable de 6 pines que se conecta a la cámara a través del cable multiconector. Se utiliza con dispositivos externos combinados, por ejemplo, con alarmas antimanipulación, detección de movimiento, activación de eventos, grabación de intervalos de tiempo y notificaciones de alarma. Además del punto de referencia de 0 V CC y la potencia (salida de CC), el conector de E/S ofrece la interfaz para:

- **Salida digital:** para conectar dispositivos externos como relés y LED. Los dispositivos conectados se pueden activar mediante la Interfaz de programación de aplicaciones (API) VAPIX®, los botones de salida de la página Live View o mediante una regla de acción. La salida se mostrará activa (se indica en **System Options > Port & Devices > Port Status** [Opciones del sistema > Puerto y dispositivos > Estado del puerto]) si el dispositivo de alarma está activado.
- **Entrada digital:** una entrada de alarma para conectar dispositivos que puedan alternar circuitos cerrados y abiertos, como: detectores PIR, contactos de puertas y ventanas, detectores de rotura de cristales, etc. Cuando se recibe una señal, el estado cambia y la entrada se vuelve activa (se indica en **System Options > Port & Devices > Port Status** [Opciones del sistema > Puerto y dispositivos > Estado del puerto]).

Conector de E/S (interno) – Bloque de terminales de E/S de 2 pines.

Especificaciones

Condiciones de funcionamiento

El producto de Axis se ha creado para su uso en exteriores.

Producto	Clasificación	Temperatura	Humedad
AXIS Q6042-S	IEC 60721-4-3 Clase 3K3 IEC/EN 60529 IP66 ISO 20653 IP6K9K	De -30 °C a 50 °C	Humedad relativa del 10 al 100 % (con condensación)
AXIS Q6044-S			
AXIS Q6045-S Mk II			

Condiciones de almacenamiento

El producto de Axis se ha creado para su uso en exteriores.

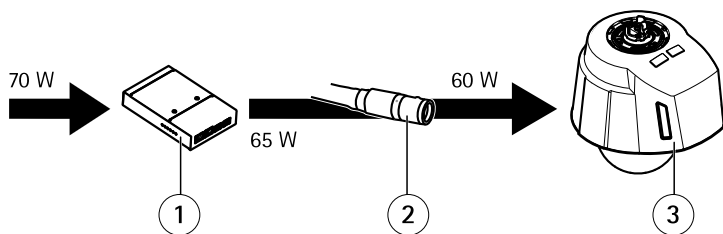
Producto	Temperatura
AXIS Q6042-S	De -40 °C a 60 °C
AXIS Q6044-S	
AXIS Q6045-S Mk II	

Especificaciones eléctricas

AVISO

Para confirmar el cumplimiento con los requisitos de tensión baja de protección (SELV) y de fuente de potencia limitada (LPS), use la fuente de alimentación recomendada por Axis (se vende por separado). Para información sobre los accesorios de alimentación compatibles, vea www.axis.com.

Producto	Función	Descripción
AXIS Q6042-S AXIS Q6044-S AXIS Q6045-S Mk II	Alimentación de entrada	12 V CC, 60 W máx.
Conmutador de conversión de medios	Tensión de entrada	12,0–13,2 V CC
	Alimentación de entrada	70 W (mín.)
	Potencia de salida disponible	65 W (mín.)
	Tensión de salida nominal	12,5 V CC



- 1 Conmutador de conversión de medios
- 2 Cable multiconector
- 3 Cámara de red

Conectores

Ranura para tarjetas SD

Admite tarjetas SD de hasta 64 GB de capacidad de almacenamiento. Para obtener un rendimiento de grabación óptimo, utilice una tarjeta SDHC o SDXC de velocidad de clase 10.

Conectores del conmutador de conversión de medios

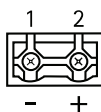
Conectores externos

Tornillo de tierra

Tornillo de toma de tierra para la conexión del conmutador de conversión de medios a tierra. Asegúrese de que los dos extremos del cable de tierra estén en contacto con sus respectivas superficies de toma de tierra.

Conector de alimentación

Bloque de terminales de 2 pines para la entrada de alimentación.

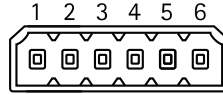


Función		Pin	Notas	Especificaciones
Entrada de CC	0 V CC (-)	1		0 V CC
	12 V CC	2	Entrada de fuente de alimentación (se vende por separado)	12,0-13,2 V CC, 75 W mín.

Conector del terminal de E/S

Bloques de terminales de 6 pines para:

- Entrada/salida digital
- Encendido (salida de CC)
- 0 V CC (-)

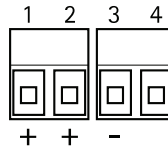


Función	Pin	Notas	Especificaciones
0 V CC (-)	1, 4, 6		0 V CC
Salida de CC	2	Salida	12 V CC, 50 mA
E/S configurable 1 (entrada o salida)	3	Entrada digital	0 a 30 V CC máx.
		Salida digital (transistor: colector abierto)	De 0 a 30 V CC máx., drenaje abierto, 100 mA
E/S configurable 2 (entrada o salida)	5	Entrada digital	0 a 30 V CC máx.
		Salida digital (transistor: colector abierto)	De 0 a 30 V CC máx., drenaje abierto, 100 mA

Conectores de cámara

Conector de alimentación

Dos bloques de terminales de 2 pines para la salida de alimentación (el bloque de terminales de 4 pines no se usa).



Función	Pin	Notas	Especificaciones
Salida de CC	12 V CC	1, 2	Salida a la cámara
	0 V CC (-)	3	
	N/a	4	N/a

ESPAÑOL

Conector de red

Dos bloques de terminales Ethernet de 2 pines.



Conector del terminal de E/S

Bloque de terminales de 2 pines.



Instalación del hardware

AVISO

- Debido a la normativa local o a las condiciones ambientales y eléctricas en las que se vaya a utilizar el producto, puede que sea adecuado u obligatorio el uso de un cable de red blindado (STP). Todos los cables que conectan el producto a la red y que se utilicen en exteriores o en entornos eléctricos exigentes deberán estar blindados y diseñados para su uso específico. Asegúrese de que los dispositivos de red estén instalados de conformidad con las instrucciones del fabricante. Para obtener información sobre los requisitos normativos, vea *Regulatory Information on page 2*.
- Monte el producto con la cubierta del domo mirando hacia abajo.
- Preste atención para no arañar, dañar o dejar las huellas en la cubierta del domo, puesto que esto puede provocar una disminución de la calidad de imagen. Si es posible, mantenga el plástico de protección en la cubierta del domo hasta que se complete la instalación.

El producto de Axis puede instalarse guiando los cables a través de la pared o el tejado o a lo largo de estos.

Lea todas las instrucciones antes de instalar el producto. Es recomendable realizar algunos pasos de la instalación juntos, ya que en ellos se precisa la extracción de la cubierta del domo.

Una instalación de hardware puede incluir lo siguiente:

- El producto se suministra con una cubierta de domo transparente (premontada). La cubierta de domo ahumada se encuentra disponible como accesorio. Para sustituir la cubierta del domo, vea *página 141*.
- Puede emplearse una tarjeta SD estándar o de gran capacidad (no incluida) para el almacenamiento local de grabaciones en el producto. Para instalar una tarjeta SD, vea *página 141*.

- Para instalar el producto mediante el montaje en pared T91C61 (se vende por separado), vea *página 148*.

Colocación del parasol

La colocación del parasol es opcional. El parasol ayuda a mantener baja la temperatura del interior de la cámara.

1. Quite los tapones roscados de la unidad de la cámara.
2. Coloque el parasol en la unidad de la cámara.
3. Fije el parasol utilizando los tornillos proporcionados.

Sustitución de la cubierta del domo

La sustitución de la cubierta del domo solo es necesaria si desea usar una cubierta del domo ahumada o si la cubierta del domo se ha arañado o dañado. Su distribuidor de Axis puede proporcionarle las cubiertas del domo ahumadas y las normales de repuesto.

Utilice la guía de instalación que se incluye con la cubierta del domo.

Instalación de una tarjeta SD

La instalación de una tarjeta SD (no incluida) para la grabación local con almacenamiento extraíble es opcional.

1. Afloje los tornillos del anillo del domo y extraiga la cubierta del domo.
2. Inserte una tarjeta SD (no incluida) en la ranura de tarjetas SD.
3. Fije la cubierta del domo a la cubierta superior y apriete los tornillos (par de torsión de 3,2 Nm).

AVISO

Para evitar que las grabaciones resulten dañadas, es preciso desmontar la tarjeta SD antes de expulsarla. Para desmontarla, vaya a **Setup > System Options > Storage > SD Card (Configuración > Opciones del sistema > Almacenamiento > Tarjeta SD)** y haga clic en **Unmount (Desmontar)**.

Presurización de la cámara (recomendado)

La carcasa de la cámara puede rellenarse con nitrógeno para evitar la condensación.

El proceso de llenado se repite tres veces, liberando la presión entre los distintos llenados, para asegurarse de que se purga todo el aire y la humedad de la carcasa.

Nota

La carcasa de la cámara tiene una válvula disipadora de presión que limita la presión de llenado a 0,5 bar. Durante el uso normal, la presión del interior de la carcasa de la cámara puede ser inferior a dicha presión. Para una protección total, asegúrese de que la presión sea superior a los 0,2 bar.

1. Establezca el regulador del cilindro de gas en 0,5 bar.
2. Retire las tapas de la válvula de entrada y la válvula disipadora de presión.
3. Coloque la abrazadera en la válvula de entrada y presione para rellenar la cámara con nitrógeno.
4. Cuando la presión del interior de la carcasa de la cámara alcance los 0,5 bar, la válvula disipadora de presión se abrirá. Coloque la mano sobre la válvula disipadora de presión para comprobar que fluye el gas.
5. Mantenga el flujo de gas a través de la carcasa de la cámara durante un minuto antes de retirar la abrazadera de la válvula de entrada.
6. Levante la válvula disipadora de presión para que el exceso de presión salga de la unidad de la cámara.
7. Repita el proceso de llenado un total de 3 veces de forma que, la última vez, la cámara quede presurizada.
8. Vuelva a colocar las tapas en la válvula de entrada y la válvula disipadora de presión.

Instalación de la fuente de alimentación y del conmutador de conversión de medios

El conmutador de conversión de medios suministrado permite al cable multiconector enviar corriente de la fuente de alimentación (se vende por separado) y enviar y recibir datos desde los dispositivos de alarma externos y la red y hacia ellos.

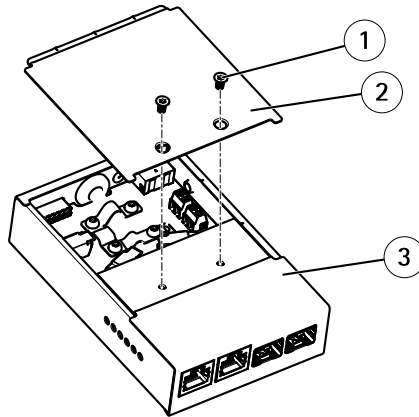
AVISO

- Asegúrese de que un profesional con experiencia haya realizado las conexiones a los conductos y a la alimentación de red según las instrucciones del fabricante y de acuerdo con las normativas locales.
- La fuente de alimentación (se vende por separado) y el conmutador de conversión de medios deben instalarse en un entorno protegido contra el polvo y el agua, por ejemplo en interiores o en una cabina apropiada.
- Debido a la normativa local o a las condiciones ambientales y eléctricas en las que se vaya a utilizar el producto, puede que sea adecuado u obligatorio el uso de un cable de red blindado (STP). Todos los cables que conectan el producto a la red y que se utilicen en exteriores o en entornos eléctricos exigentes deberán estar blindados y diseñados para su uso específico. Asegúrese de que los dispositivos de red estén instalados de conformidad con las instrucciones del fabricante. Para obtener información sobre los requisitos normativos, vea *Regulatory Information on page 2*.

Importante

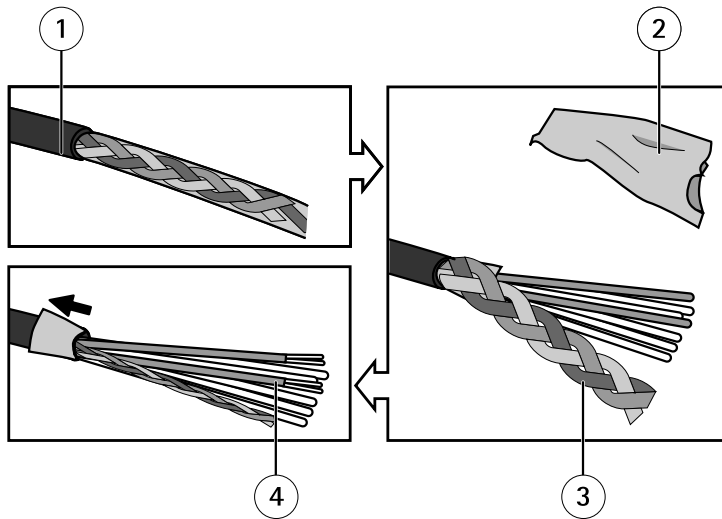
Axis solo puede garantizar una funcionalidad completa con el conmutador de conversión de medios suministrado. No son compatibles otros dispositivos.

1. Asegúrese de que la alimentación de red esté apagada.
2. Monte la fuente de alimentación y el conmutador de conversión de medios en la pared, o si correspondiera, fíjelos a un rail DIN de la cabina. Si es necesaria la perforación, asegúrese de usar brocas, tornillos y tapones apropiados para el material.
3. Afloje los tornillos y extraiga la cubierta del conmutador de conversión de medios.



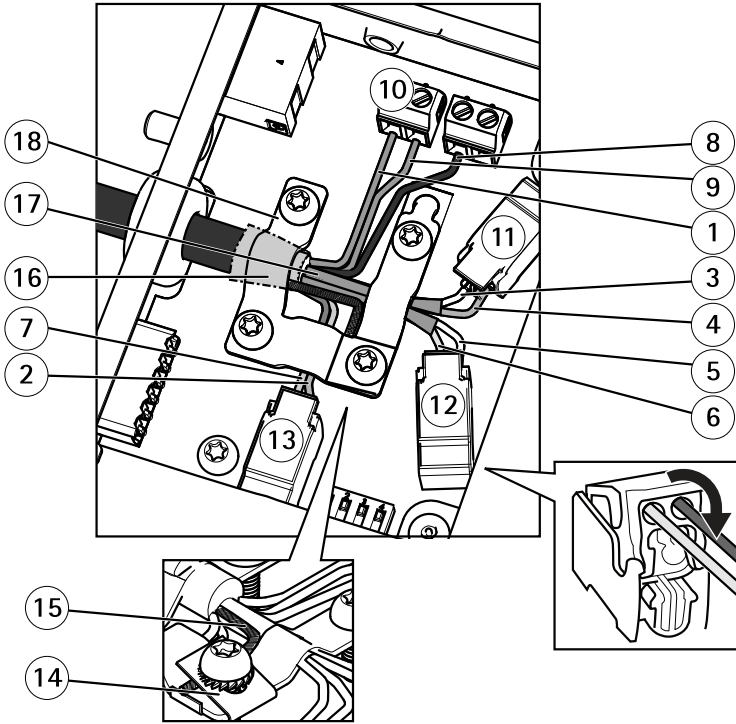
- 1 Tornillo (2x)
- 2 Cubierta
- 3 Conmutador de conversión de medios

4. Pele 40 mm de la cubierta del cable multiconector.
5. Mantenga la cubierta trenzada intacta, pero corte 30 mm de la cubierta blindada exterior.
6. Vuelva a desplegar la cubierta blindada exterior sobrante y enrolle la cubierta trenzada en una bobina.
7. Corte aproximadamente 7–8 mm de la cubierta blindada de cable Ethernet.
8. Pele aproximadamente 4–5 mm de las cubiertas del cable de alimentación.



- 1 Cubierta del cable multiconector
- 2 Cubierta blindada exterior
- 3 Cubierta trenzada
- 4 Cubierta blindada del cable Ethernet (2x)

- 9. Conecte la red y los cables de E/S a la red interna y a los conectores de E/S. Abra la tapa, inserte los cables y ciérrela.
- 10. Conecte los cables de tierra y alimentación al conector de alimentación (salida CC).



- 1 Cable de alimentación (rojo)
- 2 Cable de E/S digital (azul)
- 3 Cable Ethernet (verde/blanco)
- 4 Cable Ethernet (verde)
- 5 Cable Ethernet (naranja/blanco)
- 6 Cable Ethernet (naranja)
- 7 Cable de E/S digital (amarillo)
- 8 Cable de tierra (negro)
- 9 Cable de alimentación (rojo)
- 10 Conector de corriente (salida de CC)
- 11 Conector Ethernet (interno)
- 12 Conector Ethernet (interno)
- 13 Conector de E/S (interno)
- 14 Clip de tierra
- 15 Bobina de cubierta trenzada
- 16 Cubierta blindada exterior
- 17 Cubierta blindada Ethernet (2x)
- 18 Abrazadera

11. Asegúrese de que la abrazadera esté bien colocada, inserte la bobina de la cubierta trenzada en el clip de tierra y apriete los tornillos.

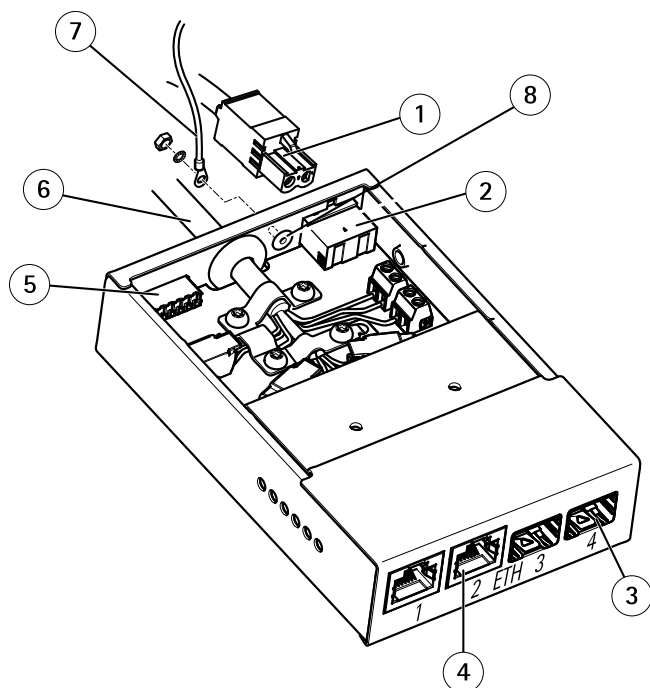
AVISO

- Las superficies de las abrazaderas y las cubiertas deben estar totalmente en contacto para que el cable multiconector se conecte a tierra.
- Asegúrese de que la cubierta del cable multiconector se fija con firmeza mediante la abrazadera.
- Asegúrese de que todas las superficies y contactos estén limpios y que no contengan material de desecho de la cubierta.

12. Conecte los cables de red a los conectores de red externos (RJ45 y SFP) como corresponda.

Nota

Se debe utilizar un módulo SFP (no incluido) al conectar un cable de fibra óptica.



- 1 Cable de alimentación (entrada de CC)
- 2 Conector de corriente (entrada de CC)
- 3 Conector de red SFP (externo) (2x)
- 4 Conector de red RJ45 (externo) (2x)

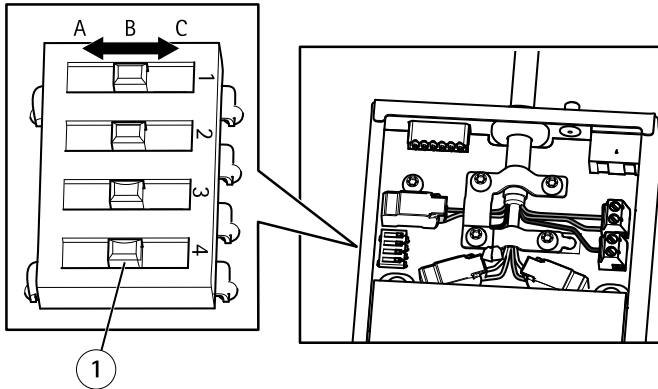
- 5 Conector de E/S (externo)
- 6 Cable multiconector IP66
- 7 Cable de tierra
- 8 Tornillo de tierra

13. Conecte un dispositivo de E/S al conector de E/S externo, si corresponde.
14. Conecte el cable de alimentación (entrada de CC) al conector de alimentación (entrada de CC) mediante la conexión del bloque de terminales.
15. Conecte el cable de tierra al tornillo de tierra (posición 8 de la ilustración).
16. Si se conectan varios conmutadores de conversión de medios en una conexión en cadena, establezca el conmutador DIP de cada puerto del conector de red saliente que se conecta con otro conmutador de conversión de medios en la posición C.

Deje el conmutador DIP en la posición predeterminada (posición B) cuando conecte el puerto directamente a la red. Para obtener más información, vea *Conectores del conmutador de conversión de medios en la página 135* y el manual de usuario.

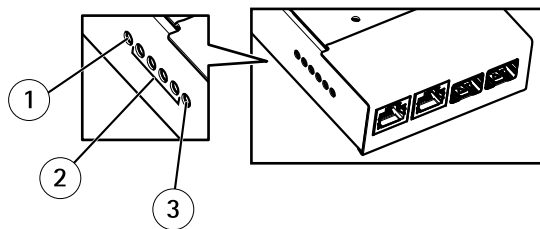
Importante

Si no se ha definido el sistema, use la configuración del conmutador DIP predeterminada (posición B).



1 Conmutador DIP (4x)

17. Conecte la cubierta al conmutador de conversión de medios.
18. Active la alimentación de red.
19. Asegúrese de que los indicadores LED del conmutador de conversión de medios indican las condiciones correctas. Para obtener más información, vea *Indicadores LED del conmutador de conversión de medios en la página 132*.



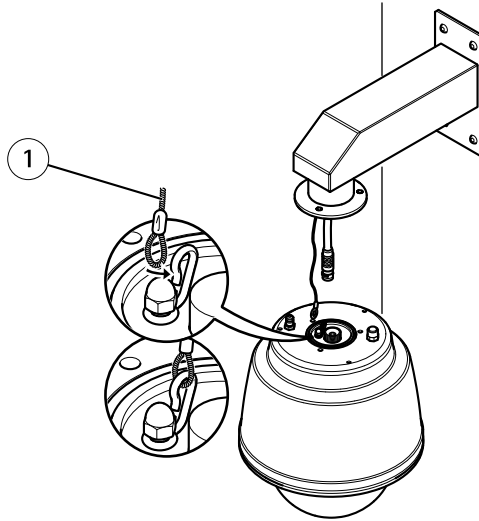
- 1 *Indicador LED de corriente*
- 2 *Indicador LED de red (4x) ETH 1/2/3/4*
- 3 *Indicador LED de la cámara*

Instalación de la cámara de red

AVISO

Para cumplir con el diseño de la clasificación IP66 de la cámara y mantener la protección IP66, debe usarse el cable multiconector suministrado.

1. Instale el soporte seleccionado (se vende por separado) de acuerdo con las instrucciones que se suministran con el soporte. Si es necesaria la perforación, asegúrese de usar brocas, tornillos y tapones apropiados para el material. Para obtener información sobre los accesorios de montaje disponibles, vea www.axis.com.
2. Pase el cable multiconector por los orificios del soporte de montaje.
3. Fije la cámara con el cable de seguridad suministrado.



Ejemplo de montaje (el soporte de pared se vende por separado)

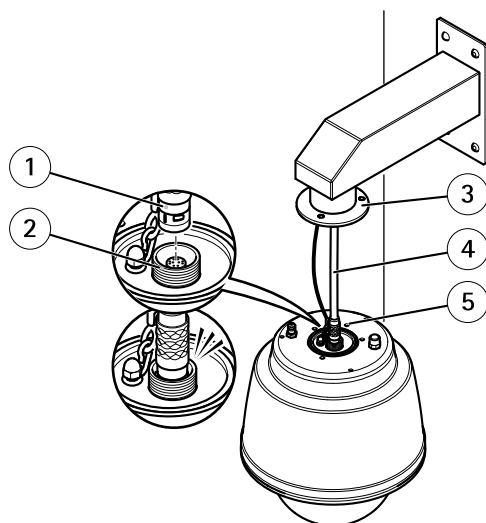
1 Cable de seguridad

4. Extraiga la tapa de protección que cubre el multiconector de la cámara.
5. Enchufe el cable multiconector al conector de la cámara. Utilice los indicadores de alineación para averiguar la posición correcta.

AVISO

Asegúrese de no dañar el cable multiconector cuando la conecte.

6. Alinee el orificio guía de la cámara con el pin guía de la pestaña y fije la cámara de red al soporte de montaje con los tornillos.



Ejemplo de montaje (el soporte de pared se vende por separado)

- 1 *Indicador de alineación: cable multiconector*
- 2 *Indicador de alineación: cámara*
- 3 *Pestaña*
- 4 *Cable multiconector*
- 5 *Orificio guía*

Acceso al producto

Utilice las herramientas suministradas en el CD del software de instalación y gestión para asignar una dirección IP, establecer la contraseña y acceder a la transmisión de vídeo. Esta información también está disponible en las páginas de asistencia técnica en www.axis.com/techsup/

Restablecimiento a la configuración predeterminada de fábrica

Importante

Hay que tener cuidado al restablecer la configuración predeterminada de fábrica. Todos los valores, incluida la dirección IP, se restablecerán a la configuración predeterminada de fábrica.

Nota

Las herramientas del software de instalación y gestión están disponibles en el CD suministrado con el producto, así como en las páginas de asistencia técnica en www.axis.com/techsup.

Para restablecer el producto a la configuración predeterminada de fábrica:

1. Desconecte la alimentación del producto.
2. Mantenga pulsado el botón de control y vuelva a conectar la alimentación. Vea *Información general del hardware en la página 129*.
3. Mantenga pulsado el botón de control durante 15–30 segundos hasta que el indicador LED de estado parpadee en ámbar.
4. Suelte el botón de control. El proceso finaliza cuando el indicador LED de estado se pone verde. El producto se ha restablecido a la configuración predeterminada de fábrica. Si no hay ningún servidor DHCP disponible en la red, la dirección IP predeterminada es 192.168.0.90.
5. Utilice las herramientas del software de instalación y gestión para asignar una dirección IP, establecer la contraseña y acceder a la transmisión de vídeo.

También es posible restablecer los parámetros a los valores predeterminados de fábrica mediante la interfaz web. Para ello, vaya a **Setup > System Options > Maintenance (Configuración > Opciones del sistema > Mantenimiento)**.

Más información

El Manual de usuario se encuentra disponible en www.axis.com.

Visite www.axis.com/techsup para comprobar si existe un firmware actualizado disponible para su producto de red. Para ver la versión del firmware instalado actualmente, vaya a **Setup > About (Configuración > Acerca de)**.

Visite el centro de aprendizaje de www.axis.com/academy para consultar guías, tutoriales, seminarios web y cursos que pueden resultarle útiles.

Información de la garantía

Para obtener más información acerca de la garantía del producto Axis e información relacionada, visite www.axis.com/warranty/

安全情報

本製品を設置する前に、このインストールガイドをよくお読みください。インストールガイドは、後で参照できるように保管しておいてください。

危険レベル

▲危険

回避しない場合、死亡または重傷につながる危険な状態を示します。

▲警告

回避しない場合、死亡または重傷につながるおそれのある危険な状態を示します。

▲注意

回避しない場合、軽傷または中程度の怪我につながるおそれのある危険な状態を示します。

注記

回避しない場合、器物の破損につながるおそれのある状態を示します。

その他のメッセージレベル

重要

製品を正しく機能させるために不可欠な重要情報を示します。

注意

製品を最大限に活用するために役立つ有用な情報を示します。

安全手順

▲警告

- 本製品の設置は、訓練を受けた専門技術者が行ってください。

注記

- 本製品は、お使いになる地域の法律や規制に準拠して使用してください。
- 本製品は乾燥した換気のよい環境に保管してください。
- 本製品に衝撃または強い圧力を加えないでください。
- 本製品を不安定なブラケット、表面、または壁に設置しないでください。
- 本製品を設置する際には、適切な工具のみを使用してください。過剰な力がかかると、製品が損傷することがあります。
- 化学薬品、腐食剤、噴霧式クリーナーは使用しないでください。
- 清掃には、きれいな水に浸した清潔な布を使用してください。
- 製品の技術仕様に準拠したアクセサリーのみを使用してください。これらのアクセサリーは、Axisまたはサードパーティから入手できます。
- Axisが提供または推奨する交換部品のみを使用してください。
- 製品を自分で修理しないでください。修理については、Axisサポートまたは販売代理店にお問い合わせください。

輸送

注記

- 保護包装は保管しておいてください。本製品を輸送する際には、必ず保護包装を元の位置に戻してください。
- 本製品を運搬する際は、製品が損傷しないよう、元の梱包か同等の梱包を使用してください。

バッテリー

本製品は、内部リアルタイムクロック (RTC) 用電源として、3.0 V BR/CR2032 リチウムバッテリーを使用します。このバッテリーは、通常条件下で最低5年間使用できます。

バッテリーが低電力状態になると、RTCの動作に影響し、電源を入れるたびにRTCがリセットされます。バッテリーの交換が必要になると、製品のサーバーレポートにログメッセージが表示されます。サーバーレポートの詳細については、製品の設定ページを参照するか、Axisサポートまでお問い合わせください。

必要な場合以外はバッテリーを交換しないでください。バッテリーの交換が必要な場合は、Axisサポート (www.axis.com/techsup) までご連絡ください。

▲警告

- バッテリーは、正しく交換しないと爆発する危険があります。
- 交換用バッテリーとしては、同一品またはAxisが推奨するバッテリーのみを使用してください。
- 使用済みバッテリーは、地域の規制またはバッテリーメーカーの指示に従って廃棄してください。

ドームカバー

注記

- 画質低下の原因となるので、ドームカバーに傷や指紋を付けたり、損傷しないように注意してください。可能であれば、設置が完了するまでドームカバーに保護プラスチックを付けたままにしてください。
- 肉眼で見ても汚れがない場合は、ドームカバーを掃除しないでください。また、絶対に表面を磨かないでください。過度な清掃により、表面が破損することがあります。
- ドームカバーの通常のクリーニングには、磨耗防止タイプの無溶媒の中性石鹸またはきれいな水で薄めた洗剤と、柔らかい清潔な布を使用することをお勧めします。洗浄後、きれいなぬるま湯でよくすすいでください。水滴の跡が付かないよう、清潔な柔らかい布で拭いて乾かしてください。
- 強力な洗剤、アルコール（イソプロピル、ブチル、プロピル）は絶対に使用しないでください。また直射日光が当たる場所や気温が上昇する場所での、ドームカバーの清掃は避けてください。

インストールガイド

このインストールガイドでは、AXIS Q6042-S、AXIS Q6044-S、AXIS Q6045-S Mk II PTZ ドームネットワークカメラをお使いのネットワークにインストールする手順について説明します。製品の使用の詳細については、Axisのホームページ (www.axis.com) でユーザーズマニュアルを参照してください

設置手順

1. パッケージの内容、ツールなど、設置に必要な物がそろっているかを確認します。157ページを参照してください。
2. 「ハードウェアの概要」をよく読みます。159ページを参照してください。
3. 「仕様」をよく読みます。167ページを参照してください。
4. ハードウェアの設置。170ページを参照してください。
5. 製品にアクセスします。180ページを参照してください。

パッケージの内容

- AXIS Q6042-S、AXIS Q6044-S、AXIS Q6045-S Mk II PTZ ドームネットワークカメラ
- AXIS T8605メディアコンバータスイッチ
- マルチコネクタケーブル (IP66)、7 m
- DINレールクリップ
- インストール・管理ソフトウェアCD
- 印刷物
 - インストールガイド (本書)
 - 予備のシリアル番号ラベル×2
 - AVHS認証キー

推奨ツール

注記

ステンレススチールには耐腐食性がありますが、材質の取り扱いを誤ると、外側がさびる可能性があります。さび汚れや孔食を防ぐには、ステンレス製の工具を使用してください。

- トルクスT10ドライバー (蓋、メディアコンバータスイッチのケーブルランプ)
- トルクスT20ドライバー (ドーム交換)

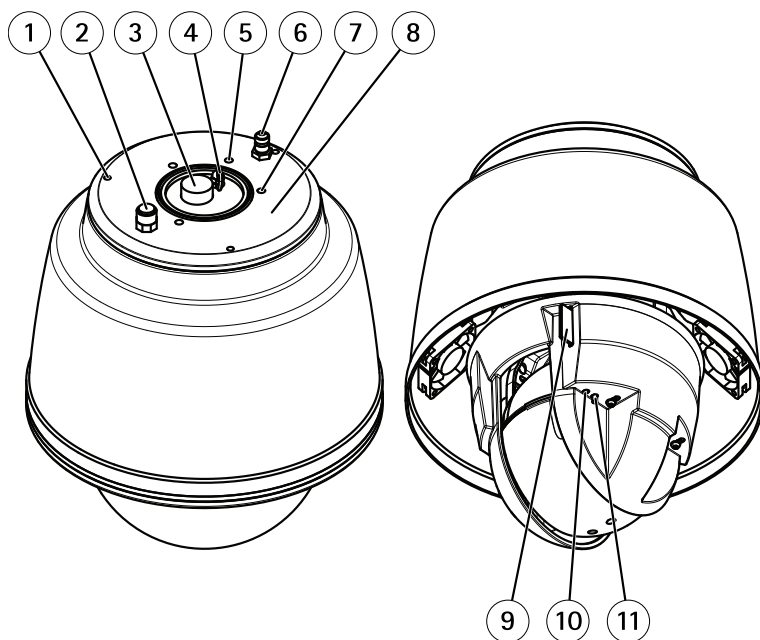
- トルクスT25ドライバー (ドーム交換)
- マイナスドライバー2.5 mm (ソケット、メディアコンバータスイッチ)
- 7 mmレンチ (アース端子ネジ、メディアコンバータスイッチ)
- 8 mm (5/16") レンチ/ソケット (サンシールド、支柱ブラケットT91C67 (ホースクランプ))
- 10 mm (3/8") レンチ/ソケット (ブラケットアダプターAXIS T91C61、AXIS T94S01D、支柱ブラケットT91C67)
- クリンピングプライヤー (グラウンドケーブル、メディアコンバータスイッチ)
- ニッパー (ケーブル)
- 電線ストリッパー (ケーブル接続)

オプションアクセサリー

- AXIS T91C61壁面取付金具
- AXIS T94S01Dペンダントキット
- AXIS T91C67ポール取付金具
- サンシールド
- スモークドームカバー
- AXIS T8008 PS12電源
- AXIS T8310ビデオ監視コントロールボード
- AXIS T90Bイルミネーター
- インストレーションディスプレイ

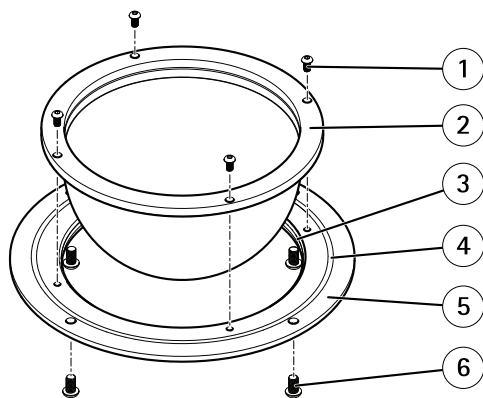
利用可能なアクセサリーについては、www.axis.comを参照してください。

ハードウェアの概要



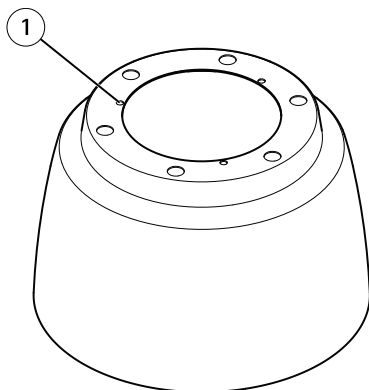
- 1 サンシールド用取り付け穴 (×3)
- 2 圧力安全バルブ
- 3 マルチコネクタ
- 4 安全ワイヤーフック
- 5 ガイド穴
- 6 吸入バルブ
- 7 取り付け穴 (×3)
- 8 型番 (P/N) とシリアル番号 (S/N)
- 9 SDカードスロット (SDHC)
- 10 ステータスLEDインジケータ
- 11 コントロールボタン

ドームカバー



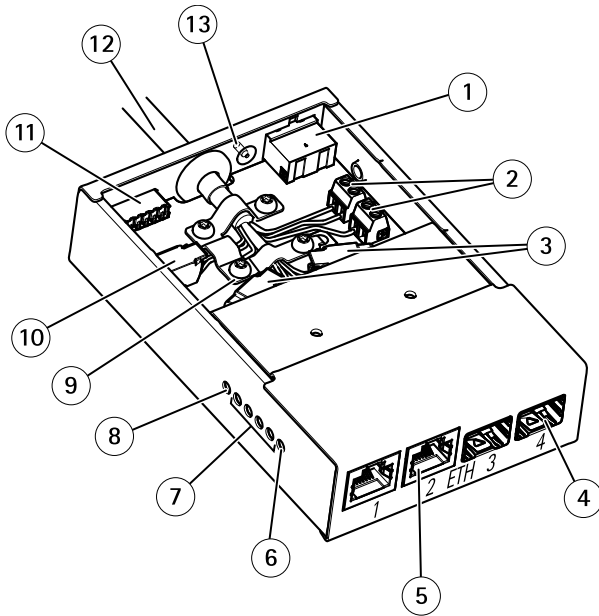
- 1 ドームブラケットネジ T25 (×4)
- 2 ドームカバー
- 3 ゴム製ガスケット
- 4 ゴム製ガスケット
- 5 ドームリング
- 6 ドームリングネジ T20 (×4)

サンシールド (別売)



- 1 ネジ穴

メディアコンバータスイッチ



- 1 電源コネクタ (DC入力)
- 2 電源コネクタ (DC出力)
- 3 内部ネットワークコネクタ
- 4 外部ネットワークスロット (SFP) (×2)
- 5 外部ネットワークコネクタ (RJ45) (×2)
- 6 カメラのLEDインジケータ
- 7 ネットワークLEDインジケータ (×4)
- 8 電源LEDインジケータ
- 9 グラウンドクリップ
- 10 内部I/Oコネクタ
- 11 外部I/Oコネクタ
- 12 マルチコネクタケーブル
- 13 アース端子ネジ

LEDインジケータ

LED	色	説明
ステータス	消灯	接続時と正常動作時は、無点灯のままです。
	黄	起動時に点灯し、ファームウェアのアップグレード時には点滅します。
	黄/赤	ネットワーク接続が利用できないか、失われた場合は、黄色/赤色で点滅します。
	赤	ファームウェアのアップグレードに失敗すると、赤色で点滅します。
	緑	再起動後、正常に動作する場合、10秒間、緑色で点灯します。

メディアコンバータスイッチのLEDインジケータ

LED	色	表示
電源	消灯	DC電源未接続または過電流保護 (電力過負荷状態) 時は、無点灯のままです。
	緑	DC電源接続時に点灯します。
ネットワーク (×4)	黄	10 Mbit 接続時に点灯します。通信時には点滅します。
	緑	100/1000 Mbit 接続時に点灯します。通信時には点滅します。
カメラ	緑	100 Mbit 接続時に点灯します。通信時には点滅します。

コネクタとボタン

仕様と動作条件については、167ページを参照してください。

ネットワークコネクタ

注記

本製品は、シールドネットワークケーブル (STP) を使用して接続してください。本製品は、用途に合ったケーブルを使用してネットワークに接続してください。ネットワーク装置がメーカーの指示どおりに設置されていることを確認します。法的要件については、*Electromagnetic Compatibility (EMC) on page 2*を参照してください。

マルチコネクタ

付属のメディアコンバータスイッチを接続する端末コネクタで、以下の信号を供給します。

- DC電源
- ネットワーク (Ethernet 10/100Base-T)
- 入出力 (I/O)

本製品のNEMA/IP定格を維持するため、付属のマルチコネクタケーブルが必要になります。詳細については、163ページの、マルチコネクタケーブルを参照してください。

SDカードスロット

最大64 GBのSDカードを使用することができます。最高の録画性能を確保するには、スピードクラス10のSDHCまたはSDXCカードを使用してください。

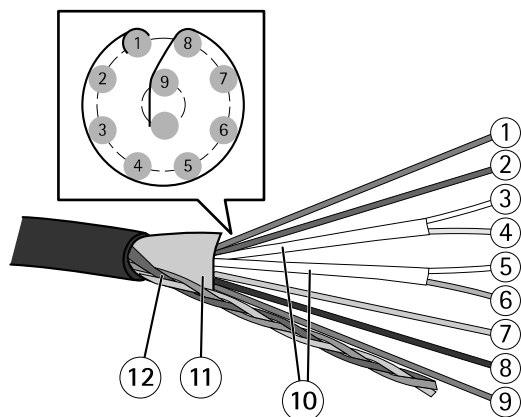
コントロールボタン

コントロールボタンは、以下の用途で使用します。

- 製品を工場出荷時の設定にリセットする。180ページを参照してください。
- AXIS Video Hosting SystemサービスまたはAXIS Internet Dynamic DNSサービスに接続する。これらのサービスの詳細については、ユーザズマニュアルを参照してください。

マルチコネクタケーブル

カメラのNEMA/IP定格を維持するため、付属のマルチコネクタケーブルが必要になります。



マルチコネクタケーブルの概要

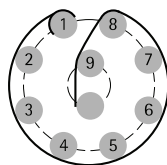
- 1 電源ワイヤー (赤)
- 2 デジタルI/Oワイヤー (青)
- 3 イーサネットワイヤー (緑/白)
- 4 イーサネットワイヤー (緑)
- 5 イーサネットワイヤー (橙/白)
- 6 イーサネットワイヤー (橙)
- 7 デジタルI/Oワイヤー (黄)
- 8 グランドワイヤー (黒)
- 9 電源ワイヤー (赤)
- 10 イーサネットワイヤーのフォイルシールド (×2)
- 11 外側のフォイルシールド
- 12 まとめた編組シールド

マルチコネクタケーブルはカメラのマルチコネクタに接続されています。159ページの、ハードウェアの概要を参照してください。

ワイヤーは付属のメディアコンバータスイッチに接続されています。161ページの、メディアコンバータスイッチを参照してください。

マルチコネクタケーブルは以下の信号を供給します。

- カメラへのDC電源
- ネットワーク (Ethernet 10/100Base-T)
- 入出力 (I/O)



機能	ピン - ワイヤ	備考	仕様
設定可能 (入力または出力)	2 - 青 7 - 黄	デジタル入力 - 動作させるにはピン8に接続し、動作させない場合はフロート状態 (未接続) のままにします。	0~30VDC (最大)
		デジタル出力 - 動作させるにはピン1に接続し、動作させない場合はフロート状態 (未接続) にします。誘導負荷 (例: リレー) とともに使用する場合は、過渡電圧から保護するため、ダイオードを負荷と並列に接続する必要があります。	0~30VDC (最大)、オープンドレイン、100 mA
RX+	3 - 緑/白	イーサネット - 受信	
RX-	4 - 緑	イーサネット - 受信	
TX+	5 - 橙/白	イーサネット - 送信	
TX-	6 - 橙	イーサネット - 送信	
0 V DC (-)	8 - 黒		0 V DC
DC 出力 (12 V)	1, 9 - 赤	カメラへの給電に使用	12-13.2 V DC

メディアコンバータスイッチのコネクタ

仕様については、167ページを参照してください。

注記

本製品は、シールドネットワークケーブル (STP) を使用して接続してください。本製品は、用途に合ったケーブルを使用してネットワークに接続してください。ネットワーク装置がメーカーの指示どおりに設置されていることを確認します。法的要件については、*Electromagnetic Compatibility (EMC) on page 2*を参照してください。

重要

メディアコンバータスイッチはホットスワップに対応していません。カメラを交換する前にスイッチの電源を切断してください。ホットスワップを行うと、スイッチがフリーズする原因となります。フリーズした場合は再起動を行う必要があります。

電源コネクタ (DC入力) - 電源入力用2ピンターミナルブロック。

電源コネクタ (DC出力) - 電源出力用2ピンターミナルブロック (×2) (ピン4は未使用)

外部ネットワークコネクタ (RJ45) - ネットワーク接続用のRJ45コネクタ (10/100Base-T) (×2)

外部ネットワークスロット (SFP) - ネットワーク接続用SFPスロット (100Base-FX/1000Base-X) (×2)

RJ45、SFPポートは、専用のディップスイッチを備えています。このDIPスイッチを使用して、ポートのデータ転送方法を制御することができます。詳細については、ユーザーズマニュアルを参照してください。

DIPスイッチの位置		説明
デフォルト (中央)	B	直接、もしくは、ルーターまたはネットワークスイッチを経由してネットワークに接続する場合。
左	A	ネットワークカメラまたはデータを表示しない装置と接続する場合。
右	C	別のメディアコンバータスイッチと接続する場合。

内部ネットワークコネクタ - 2ピンイーサネットターミナルブロック×2。

外部I/Oコネクタ - 6ピンの設定可能なI/Oターミナルブロック。マルチコネクタケーブルを使用して、カメラと接続します。外部装置を接続し、カメラに対するいたずらの警報、動体検知、イベントトリガー、低速度撮影、アラーム通知などを使用することができます。I/Oコネクタは、0V DC基準点と電力 (DC出力) に加えて、以下のインターフェースを提供します。

- **デジタル出力** - リレーやLEDなどの外部デバイスを接続します。接続されたデバイスは、VAPIX®アプリケーションプログラミングインターフェース (API)、[Live View] (ライブビュー) ページの出力ボタン、アクションルールを使用してアクティブにすることができます。アラームデバイスがアクティブな場合は、出力がactiveとして表示されます ([System Options - Port & Devices - Port Status] (システムオプション - ポートとデバイス - ポートの状態) で表示)。
- **デジタル入力** - オープンサーキットとクローズサーキットの切り替えが可能なデバイスを接続するためのアラーム入力。信号を受取ると状態が変化し、入力がactiveになります ([System Options - Ports & Devices - Port Status] (システムオプション - ポートとデバイス - ポートの状態) で表示)。

内部I/Oコネクタ - 2ピンI/Oターミナルブロック。

仕様

動作条件

本製品は屋外対応モデルです。

製品	等級	温度	湿度
AXIS Q6042-S	IEC 60721-4-3 Class 3K3 IEC/EN 60529 IP66 ISO 20653 IP6K9K	-30 ° C ~ 50 ° C	10-100% RH (結露可)
AXIS Q6044-S			
AXIS Q6045-S Mk II			

保管条件

本製品は屋外対応モデルです。

製品	温度
AXIS Q6042-S	-40 ° C ~ 60 ° C
AXIS Q6044-S	
AXIS Q6045-S Mk II	

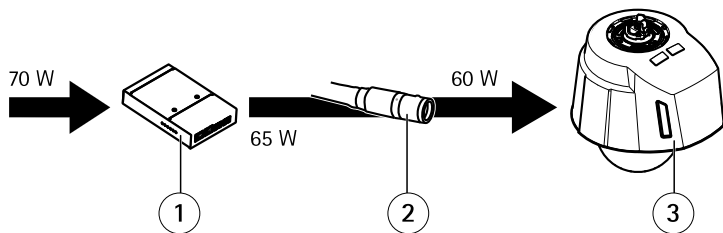
電気的仕様

注記

安全特別低電圧 (SELV) および制限電源 (LPS) の要件を満たすため、Axis推奨の電源 (別売) を使用してください。互換性のある電源アクセサリについては、www.axis.comを参照してください。

製品	機能	説明
AXIS Q6042-S AXIS Q6044-S AXIS Q6045-S Mk II	入力電力	12 V DC、最大60 W

メディアコンバータスイッチ	入力電圧	12.0–13.2 V DC
	入力電力	70 W (最小)
	出力可能電力	65 W (最小)
	通常出力電圧	12.5 V DC



- 1 メディアコンバータスイッチ
- 2 マルチコネクタケーブル
- 3 ネットワークカメラ

コネクター

SDカードスロット

最大64 GBのSDカードを使用することができます。最高の録画性能を確保するには、スピードクラス10のSDHCまたはSDXCカードを使用してください。

メディアコンバータスイッチのコネクタ

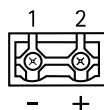
外部コネクタ

アース端子ネジ

メディアコンバータスイッチをアース線に接続するためのアース端子ネジ。アース線の両端がアース面と接触していることを確認してください。

電源コネクタ

電源入力用2ピンターミナルブロック。

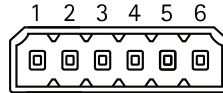


機能		ピン	備考	仕様
DC入力	0 V DC (-)	1		0 V DC
	12 V DC	2	電源 (別売) から電力供給	12.0 ~ 13.2 V DC、 最小75 W

I/Oターミナルコネクタ

6ピンターミナルブロック:

- デジタル入力/出力
- 電源 (DC出力)
- 0 V DC (-)

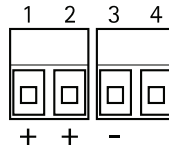


機能	ピン	備考	仕様
0 V DC (-)	1, 4, 6		0 V DC
DC出力	2	電源出力	12 V DC、50 mA
設定可能なI/O 1 (入力または出力)	3	デジタル入力	0~30 V DC (最大)
		デジタル出力 (トランジスター-オープンコレクター)	0~30 V DC (最大)、 オープンドレイン、100 mA
設定可能なI/O 2 (入力または出力)	5	デジタル入力	0~30 V DC (最大)
		デジタル出力 (トランジスター-オープンコレクター)	0~30 V DC (最大)、 オープンドレイン、100 mA

カメラコネクタ

電源コネクタ

電源出力用2ピンターミナルブロック×2 (ピン4は未使用)



機能		ピン	備考	仕様
DC出力	12 V DC	1, 2	カメラへの電源出力	12.0 ~ 13.2 V DC、 最小70 W
	0 V DC (-)	3		0 V DC
	N/A	4	N/A	

ネットワークコネクタ

2ピンイーサネットターミナルブロック×2。



I/Oターミナルコネクタ

2ピンターミナルブロック。



ハードウェアの設置

注記

- 本製品を使用する場所の地域条例、環境、電気的条件によっては、シールドネットワークケーブル (STP) の使用が推奨または必須になります。本製品をネットワークに接続して屋外または電氣的に厳しい環境に配線する場合は、用途に合ったネットワークケーブルを使用してください。ネットワーク装置がメーカーの指示どおりに設置されていることを確認します。法的要件については、*Regulatory Information on page 2*を参照してください。
- 本製品はドームカバーを下向きにして取り付けてください。
- 画質低下の原因となるので、ドームカバーに傷や指紋を付けたり、損傷しないように注意してください。可能であれば、設置が完了するまでドームカバーに保護プラスチックを付けたままにしてください。

本製品は、配線を壁や天井に沿って、あるいは中を通して設置することができます。

製品を取り付ける前に、すべての説明に目を通してください。一部の設置手順ではドームカバーを取り外さなければならない場合があるため、読んでおくと役に立ちます。

ハードウェアの設置については、以下の点に注意してください。

- 本製品には、透明ドームカバーが付属しています(装着済み)。スモークドームカバーは、必要に応じて入手できます。ドームカバーの交換方法については、171ページを参照してください。
- 標準または大容量のSDメモリーカード(非付属品)を使用すると、ローカルに録画を行えます。SDメモリーカードの装着方法については、171ページを参照してください。
- T91C61壁面取付金具(別売)を使用して製品を設置する方法については、178ページを参照してください。

サンシールドの取り付け

サンシールドは、必要に応じて取り付けます。サンシールドを取り付けることにより、カメラの内部を低温に保つことができます。

1. スクリュープラグをカメラユニットから取り外します。
2. サンシールドをカメラユニットの上に配置します。
3. 付属のネジを使用してサンシールドを固定します。

ドームカバーの交換

スモークドームカバーを使用したい場合や、ドームカバーに傷が付いたり、損傷した場合にのみ、ドームカバーの交換が必要になります。スモークドームカバーおよび交換用の透明ドームカバーは、Axisの販売代理店から購入できます。

ドームカバーに付属のインストールガイドを使用してください。

SDカードの装着

必要に応じて、SDメモリーカード(非付属品)を装着すると、ローカルに録画を行うことができます。

1. ドームリングネジをゆるめてドームカバーを取り外します。
2. SDカード(非付属品)をSDカードスロットに挿入します。
3. ドームカバーを上蓋に取り付け、ネジを締めます(トルク3.2 Nm)。

注記

SDカードは、取り外す前に、録画データが破損しないようにアンマウントする必要があります。SDカードをアンマウントするには、[Setup] (設定) > [System Options] (システムオプション) > [Storage] (ストレージ) > [SD Card] (SDカード) を選択し、[Unmount] (アンマウント) をクリックします。

カメラの加圧(推奨)

カメラの筐体に窒素ガスを充填することで結露を防止できます。

充填プロセスは3回繰り返しますが、充填間の圧力差が出ないようにすることで、空気および湿気を筐体からすべて排除します。

注意

カメラ筐体には充填圧を0.5バール (7 psi) に制限する圧力安全バルブが付いています。通常使用下では、カメラ筐体の内圧が低下してその圧力を下回ります。完全に防止するには、圧力が0.2バール (3 psi) を超えるようにしてください。

1. ガスシリンダのレギュレータゲージを0.5バール (7 psi) に設定します。
2. キャップを吸入バルブおよび圧力安全バルブから取り外します。
3. 吸入バルブにチャックを配置し、押しつけてカメラに窒素を入れます。
4. カメラ筐体の内圧が0.5 bar (7 psi) に達すると、圧力安全バルブが開きます。圧力安全バルブに手を当て、ガスが流出していることを確認します。
5. カメラ筐体にガスを1分間流したら、吸入バルブからチャックを取り外します。
6. 圧力安全バルブを持ち上げ、過剰圧力がカメラユニットから排出されるようにします。
7. 充填プロセスを計3回繰り返しますが、前回と同じ圧力になるようにしてカメラを加圧します。
8. キャップを吸入バルブおよび圧力安全バルブに戻します。

電源とメディアコンバータスイッチの取り付け

付属のメディアコンバータスイッチをマルチコネクタケーブルを使用して接続することにより、電源 (別売) からの電力をカメラに供給し、外部アラームデバイスやネットワークとデータを送受信することができます。

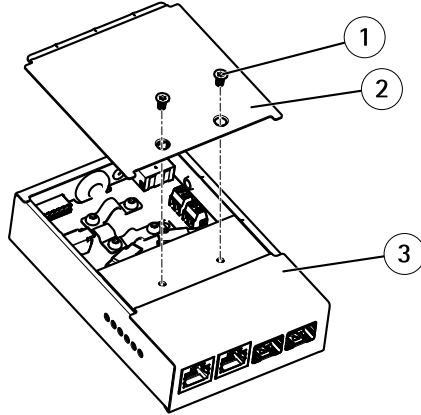
注記

- 主電源や電線管への接続は、地域条例を順守し、メーカーの指示に従って、訓練を受けた専門技術者が行ってください。
- 電源 (別売) とメディアコンバータスイッチの取り付けは、屋内や適切なデータ保管庫など、ほこりや水から保護された環境で行ってください。
- 本製品を使用する場所の地域条例、環境、電気的条件下によっては、シールドネットワークケーブル (STP) の使用が推奨または必須になります。本製品をネットワークに接続して屋外または電氣的に厳しい環境に配線する場合は、用途に合ったネットワークケーブルを使用してください。ネットワーク装置がメーカーの指示どおりに設置されていることを確認します。法的要件については、*Regulatory Information on page 2*を参照してください。

重要

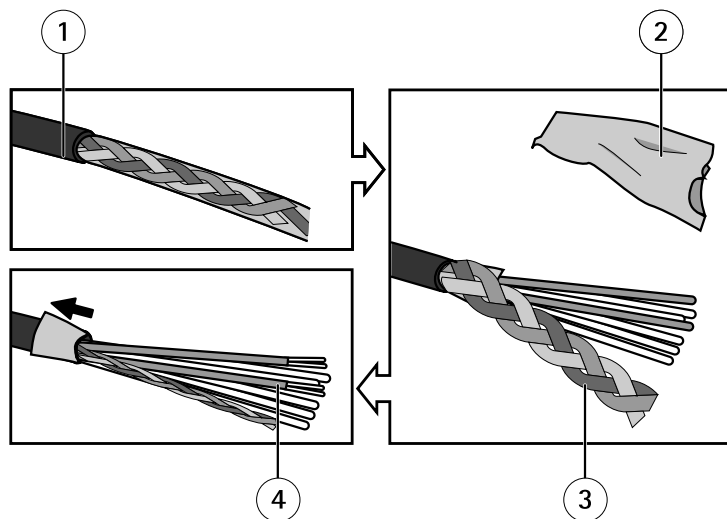
Axisは付属のメディアコンバータスイッチの機能の完全性のみを保証します。その他のデバイスはサポートされません。

1. 主電源のスイッチがオフになっていることを確認します。
2. 電源とメディアコンバータスイッチを壁、または可能であれば、キャビネットのDINレールに取り付けます。ドリルによる穴開けが必要な場合は、素材に適したドリルビット、ネジ、プラグを使用してください。
3. メディアコンバータスイッチのネジをゆるめ、カバーを外します。



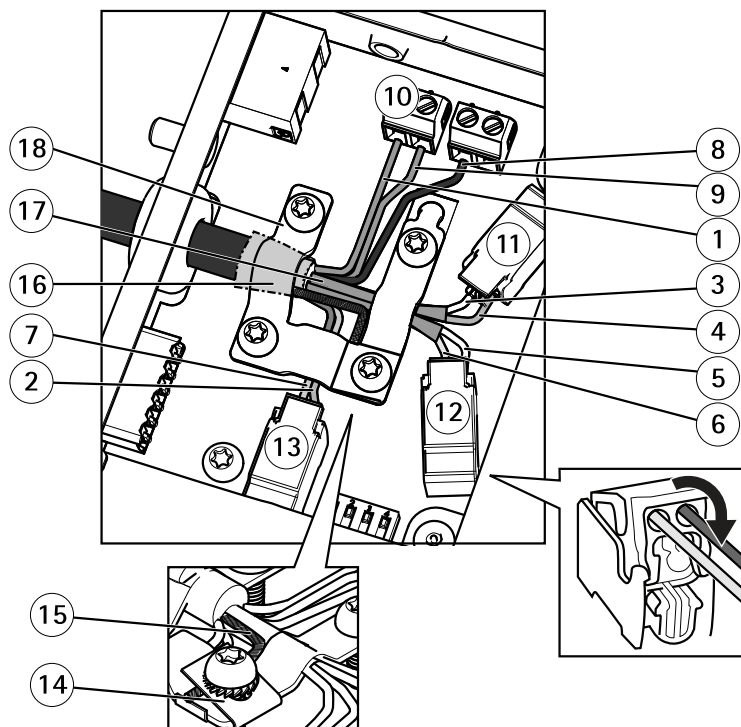
- 1 ネジ (×2)
- 2 カバー
- 3 メディアコンバータスイッチ

4. マルチコネクタケーブルの被覆を40 mm剥きます。
5. 編組シールドはそのまま残し、外側のフォイルシールドを30 mm切除します。
6. 残ったフォイルシールドは折り返し、編組シールドはねじってまとめます。
7. イーサネットワイヤーのフォイルシールドを約7-8 mm切除します。
8. 電源ワイヤーの被覆を約4-5 mm剥きます。



- 1 マルチコネクタケーブルの被覆
- 2 外側のフォイルシールド
- 3 編組シールド
- 4 イーサネットワイヤーのフォイルシールド(X2)

9. ネットワークワイヤーを内部ネットワークコネクタに、I/Oワイヤーを内部I/Oコネクタに接続します。コネクタの蓋を開き、ワイヤーを挿入し、蓋を閉じます。
10. グラウンドワイヤーと電源ワイヤーを電源コネクタ (DC出力) に接続します。



- 1 電源ワイヤー (赤)
- 2 デジタルI/Oワイヤー (青)
- 3 イーサネットワイヤー (緑/白)
- 4 イーサネットワイヤー (緑)
- 5 イーサネットワイヤー (橙/白)
- 6 イーサネットワイヤー (橙)
- 7 デジタルI/Oワイヤー (黄)
- 8 グラウンドワイヤー (黒)
- 9 電源ワイヤー (赤)
- 10 電源コネクタ (DC出力)
- 11 内部イーサネットコネクタ
- 12 内部イーサネットコネクタ
- 13 内部I/Oコネクタ
- 14 グラウンドクリップ
- 15 まとめた編組シールド
- 16 外側のフォイルシールド
- 17 イーサネットワイヤーシールド (×2)
- 18 クランプ

11. クランプを使用してケーブルを固定し、まとめた編組シールドはグラウンドクリップに挿入してネジを締めます。

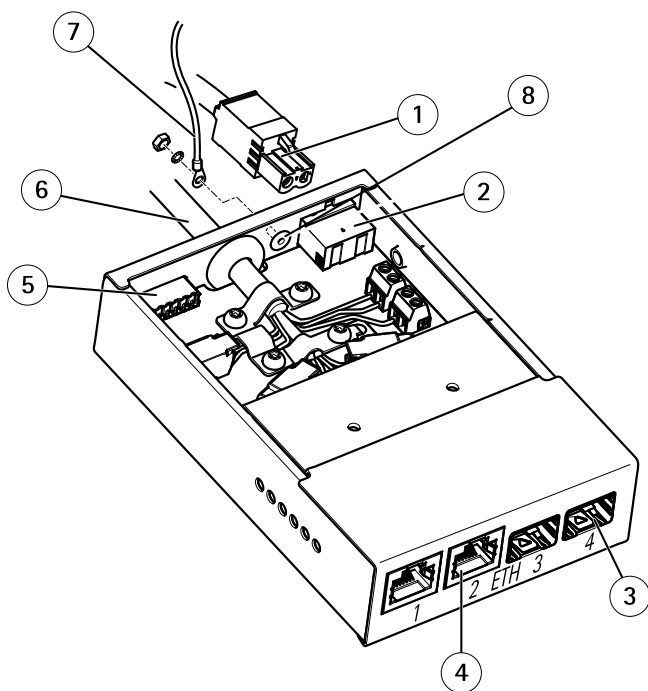
注記

- マルチコネクタケーブルが接地されるように、シールドとクランプを完全に接触させます。
- マルチコネクタケーブルの被覆がクランプでしっかりと固定されていることを確認します。
- すべての表面と接点が汚れておらず、シールド材の断片が落ちていないことを確認してください。

12. 必要に応じて、ネットワークケーブルを外部ネットワークコネクタ (RJ45、SFP) に接続します。

注意

オプションのファイバーケーブルを接続する場合は、SFPモジュール (非付属品) を使用する必要があります。



- 1 電源ケーブル (DC入力)
- 2 電源コネクタ (DC入力)

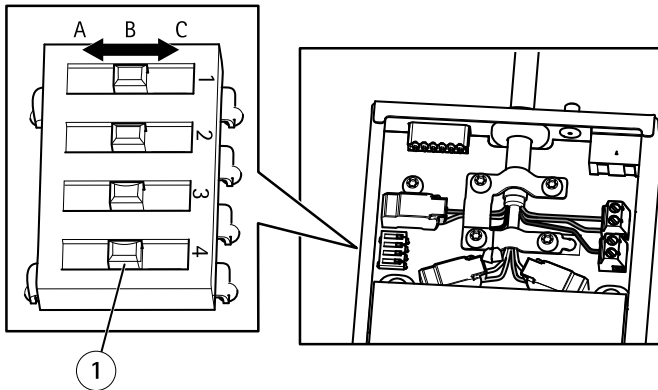
- 3 外部ネットワークコネクタ (SFP) (×2)
- 4 外部ネットワークコネクタ (RJ45) (×2)
- 5 外部I/Oコネクタ
- 6 マルチコネクタケーブルIP66
- 7 アース線
- 8 アース端子ネジ

13. 必要に応じて、I/Oデバイスを外部I/Oコネクタに接続します。
14. 電源ケーブル (DC入力) をターミナルブロックプラグから電源コネクタ (DC入力) に接続します。
15. 接地線をグラウンド端子ネジに取り付けます (図の位置8)。
16. 複数のメディアコンバータスイッチをデジチェーン接続する場合は、別のメディアコンバータスイッチに接続するネットワークコネクタポートのディップスイッチをCの位置に設定してください。

ネットワークに直接接続するポートのディップスイッチはデフォルトの位置 (B) のままにします。詳細については、165ページの、メディアコンバータスイッチのコネクタ、およびユーザーズマニュアルを参照してください。

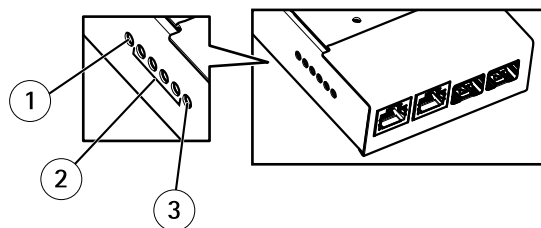
重要

システムが定義されていない場合は、デフォルトのディップスイッチ設定 (B) を使用してください。



1 DIPスイッチ (×4)

17. メディアコンバータスイッチのカバーを取り付けます。
18. 主電源のスイッチを入れます。
19. メディアコンバータスイッチのLEDインジケータが正しい状態を示しているかを確認します。詳細については、162ページの、メディアコンバータスイッチのLEDインジケータを参照してください。



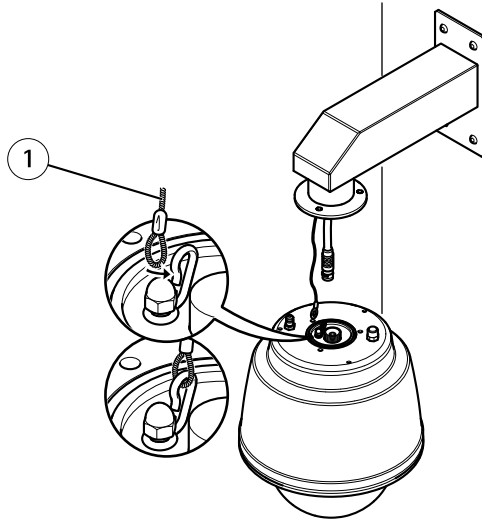
- 1 電源LEDインジケータ
- 2 ネットワークLEDインジケータ (×4) ETH 1/2/3/4
- 3 カメラのLEDインジケータ

ネットワークカメラの取り付け

注記

カメラのIP66対応設計に準拠し、IP66保護等級を維持するため、必ず付属のマルチコネクタケーブルを使用してください。

1. ブラケット (別売) に付属の説明書にしたがって、ブラケットを取り付けます。ドリルによる穴開けが必要な場合は、素材に適したドリルビット、ネジ、プラグを使用してください。利用可能なアクセサリについては、www.axis.comを参照してください。
2. マルチコネクタケーブルを取り付け用ブラケットの穴に通します。
3. 付属の安全ワイヤーを使用してカメラを固定します。



取り付け例 (別売の壁面ブラケットを使用)

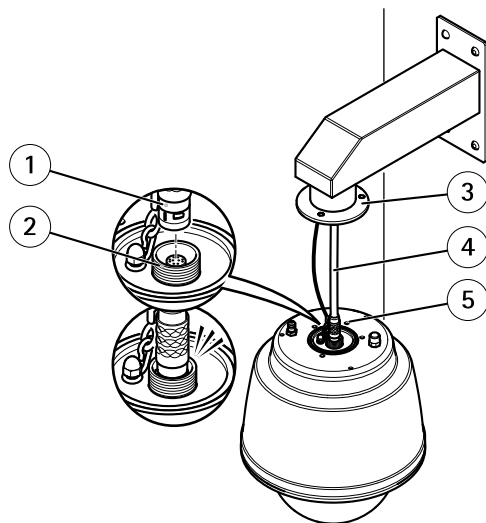
1 安全ワイヤー

4. カメラのマルチコネクタの保護キャップを取り外します。
5. マルチコネクタケーブルをカメラのコネクタに接続します。位置合わせ用インジケータを使用して、正しい位置に合わせます。

注記

接続時にマルチコネクタケーブルを傷つけないよう、注意してください。

6. カメラのガイド穴とフランジのガイドピンを揃えて、ネットワークカメラをネジで取り付けブラケットに固定します。



取り付け例 (別売の壁面ブラケットを使用)

- 1 位置合わせ用インジケータ－マルチコネクタケーブル
- 2 位置合わせ用インジケータ－カメラ
- 3 フランジ
- 4 マルチコネクタケーブル
- 5 ガイド穴

製品へのアクセス

IPアドレスの割り当て、パスワードの設定、ビデオストリームへのアクセスを行うには、インストール・管理ソフトウェアCDに収録されているツールを使用します。この情報は、Axisのサポートページ (www.axis.com/techsup) にも掲載されています。

工場出荷時の設定にリセットする

重要

工場出荷時の設定へのリセットは慎重に行ってください。工場出荷時の設定へのリセットを行うと、IPアドレスを含むすべての設定が工場出荷時の値にリセットされます。

注意

インストール・管理ソフトウェアツールは、製品に付属のCDと、www.axis.com/techsupのサポートページから入手できます。

本製品を工場出荷時の設定にリセットするには、以下の手順を実行します。

1. 本製品の電源を切ります。
2. コントロールボタンを押し続けながら電源を再投入します。「159ページの、ハードウェアの概要」を参照してください。
3. ステータスLEDインジケーターが黄色に点滅するまで、コントロールボタンを約15-30秒間押し続けます。
4. コントロールボタンを離します。プロセスが完了すると、ステータスLEDが緑色に変わります。これで本製品は工場出荷時の設定にリセットされました。ネットワーク上に利用可能なDHCPサーバーがない場合、デフォルトのIPアドレスは192.168.0.90になります。
5. インストール・管理ソフトウェアツールを使用して、IPアドレスの割り当て、パスワードの設定、ビデオストリームへのアクセスを行います。

Webインターフェースを使用して、各種パラメーターを工場出荷時の設定に戻すこともできます。**[Setup - System Options - Maintenance] (設定 - システムオプション - 保守)** を選択します。

関連情報

ユーザズマニュアルは、www.axis.comで入手できます。

www.axis.com/techsupにアクセスして、ご使用のネットワーク製品の新しいファームウェアがリリースされていないかを確認してください。現在インストールされているファームウェアのバージョンを確認するには、**[Setup - About] (設定 - バージョン情報)** を参照してください。

Axisラーニングセンター (www.axis.com/academy) にアクセスしてください。役に立つトレーニング、ウェブセミナー、チュートリアル、ガイドをご用意しています。

保証

Axisの製品保証と関連情報については、www.axis.com/warrantyをご覧ください。

