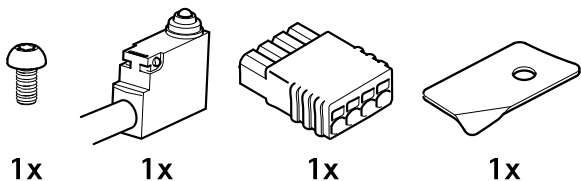
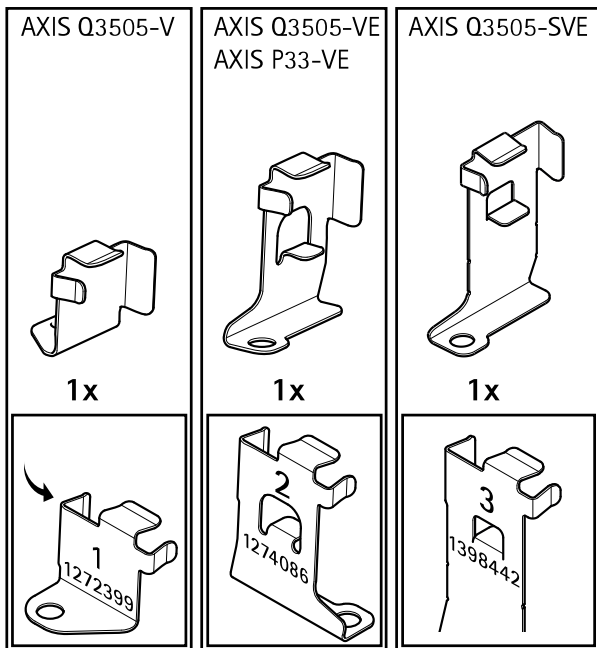
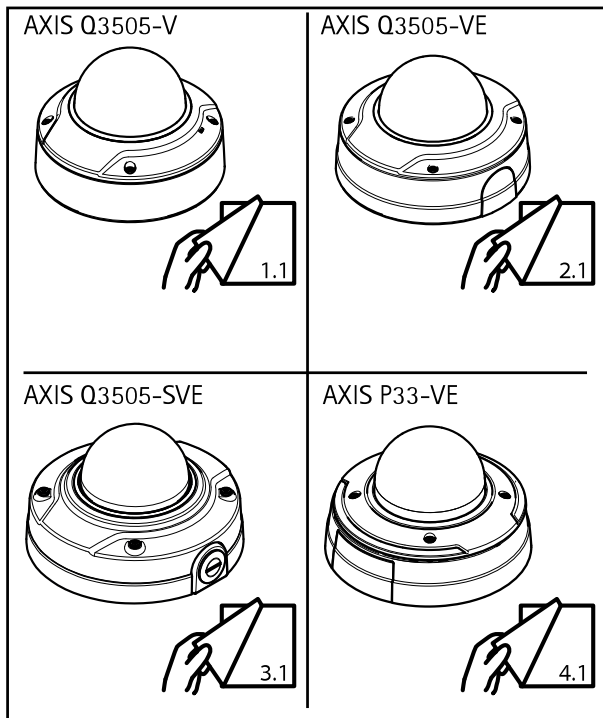


AXIS Intrusion Switch B

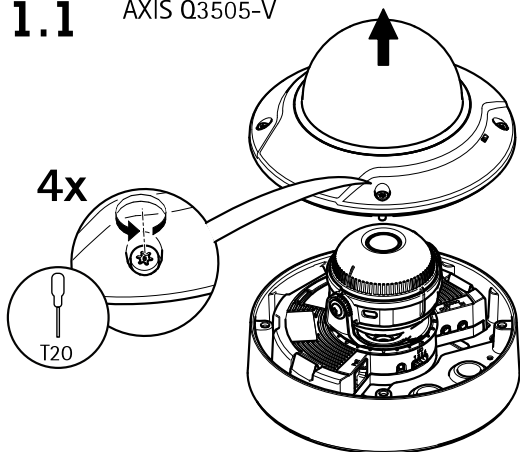
Installation Guide



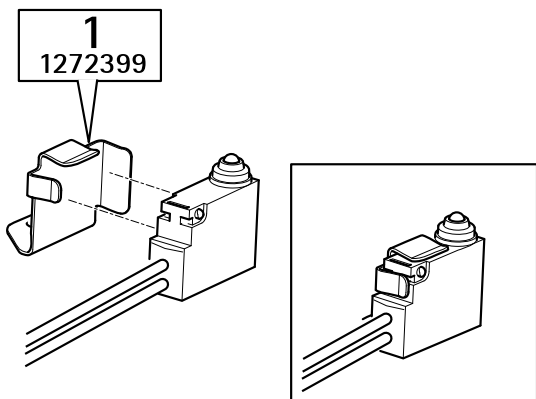
AXIS Intrusion Switch B



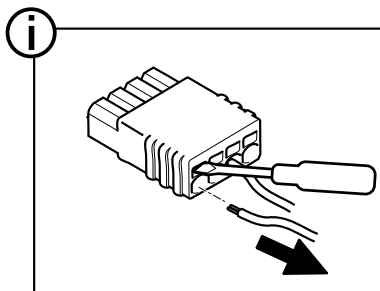
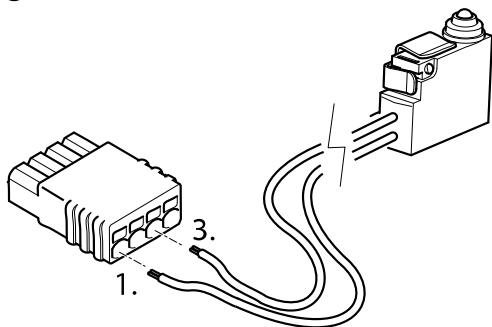
1.1 AXIS Q3505-V



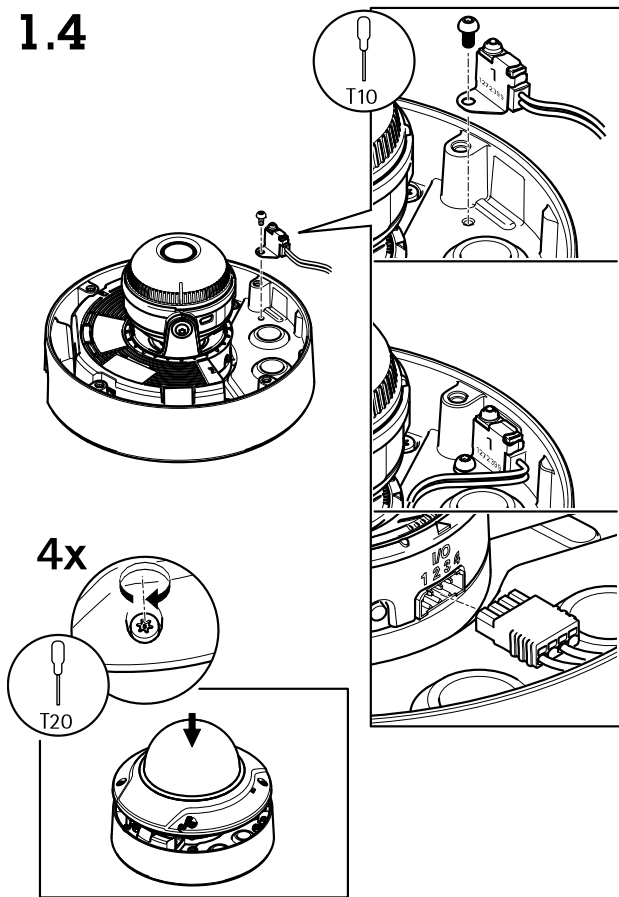
1.2



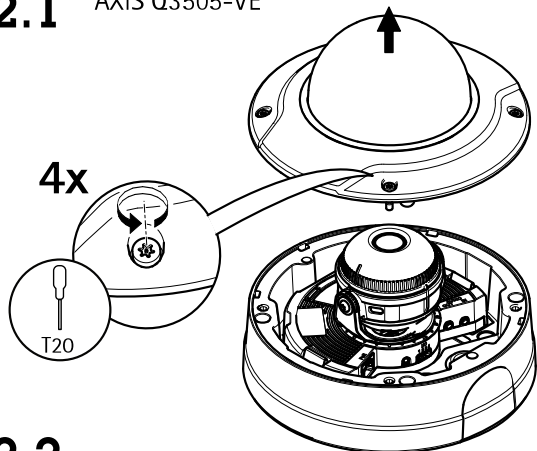
1.3



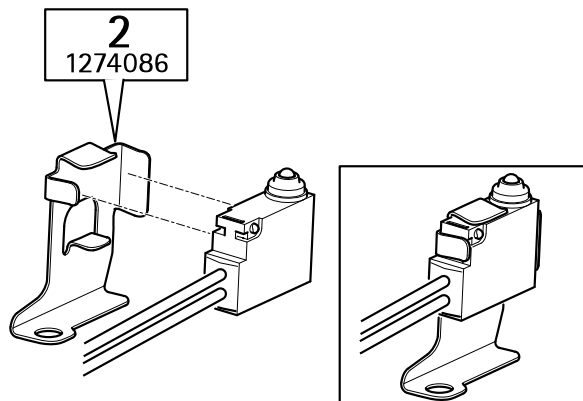
1.4



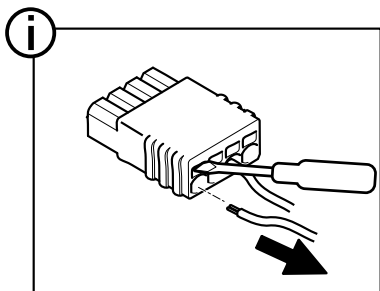
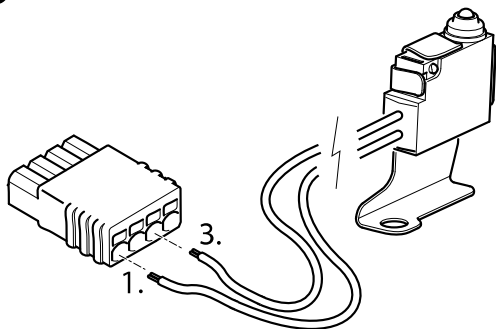
2.1 AXIS Q3505-VE



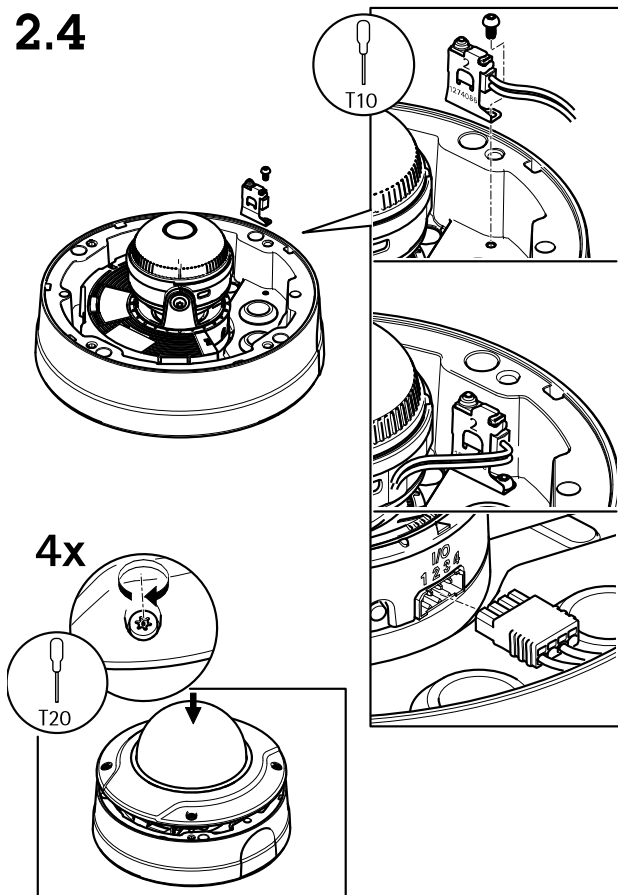
2.2



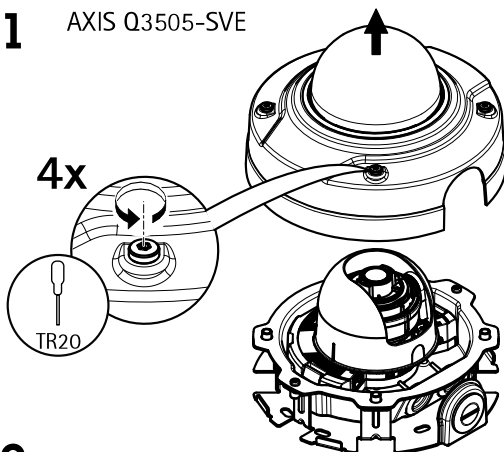
2.3



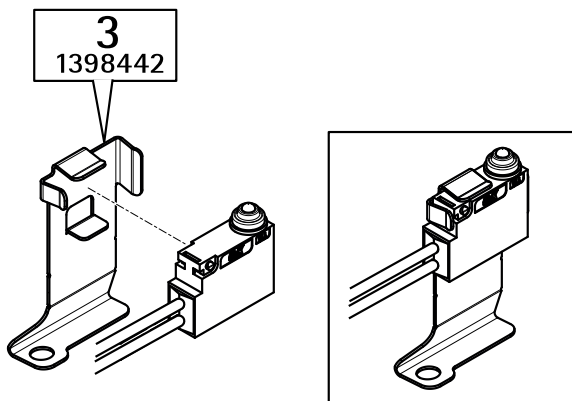
2.4



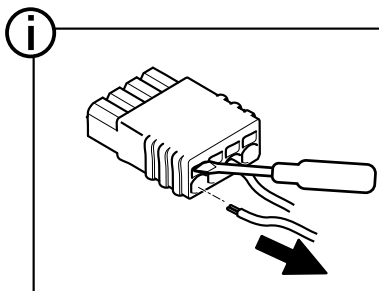
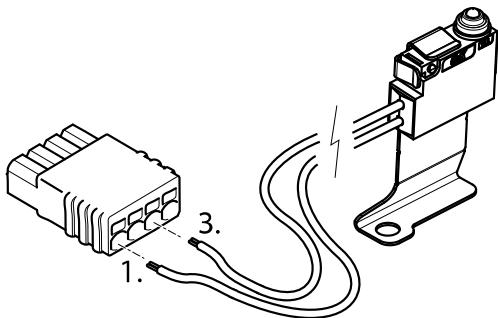
3.1 AXIS Q3505-SVE



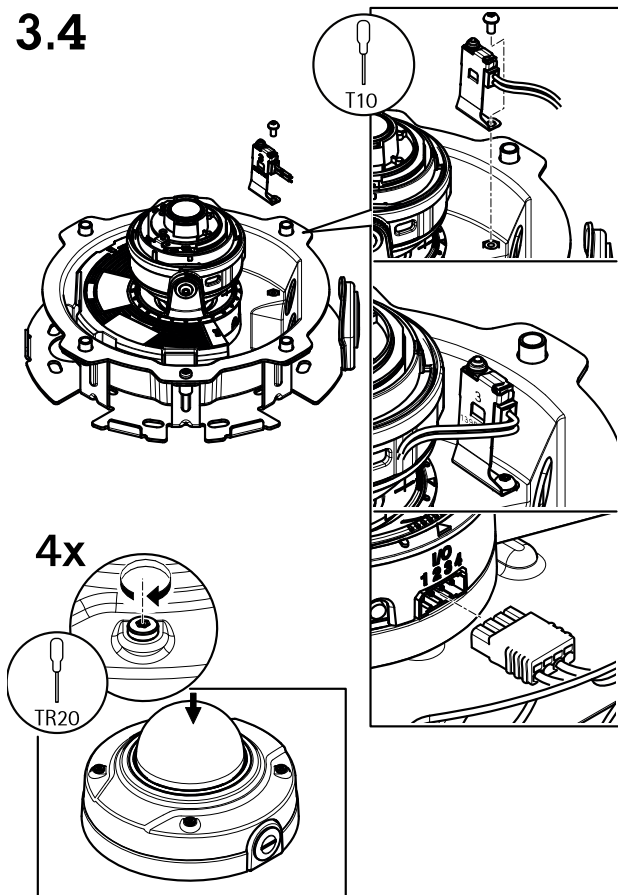
3.2



3.3

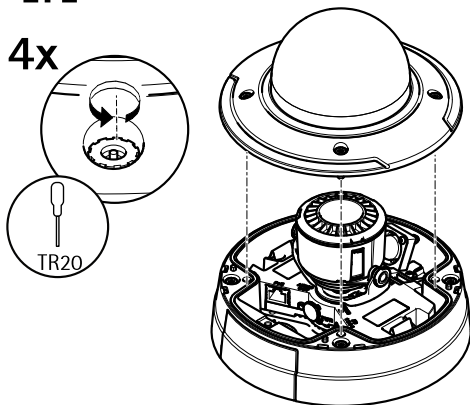


3.4

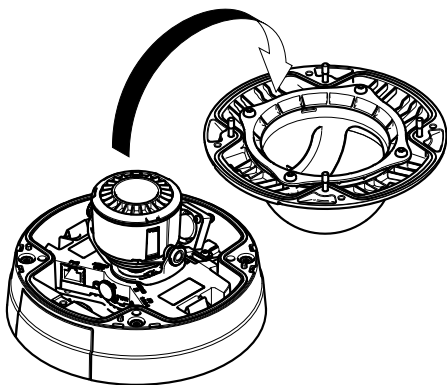


4.1 AXIS P33-VE

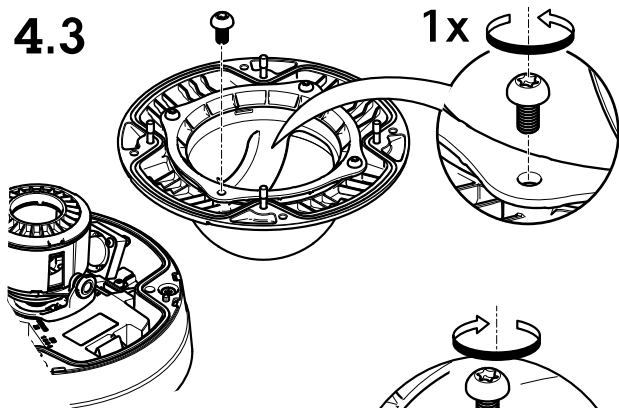
4x



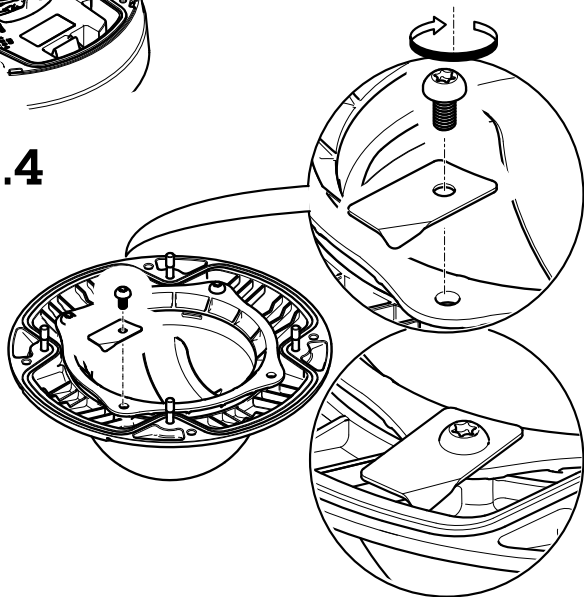
4.2



4.3

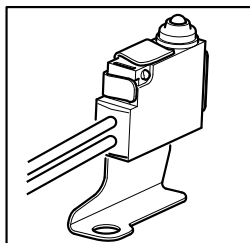
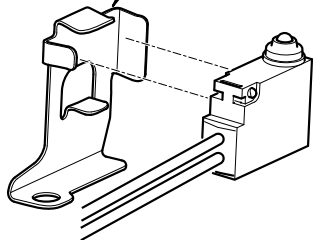


4.4

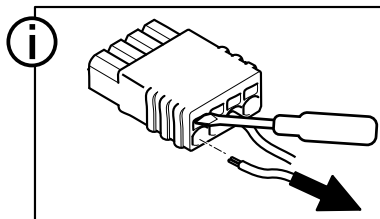
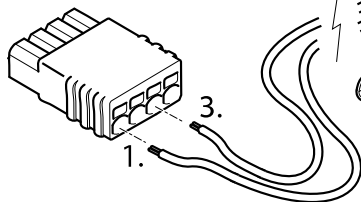


4.5

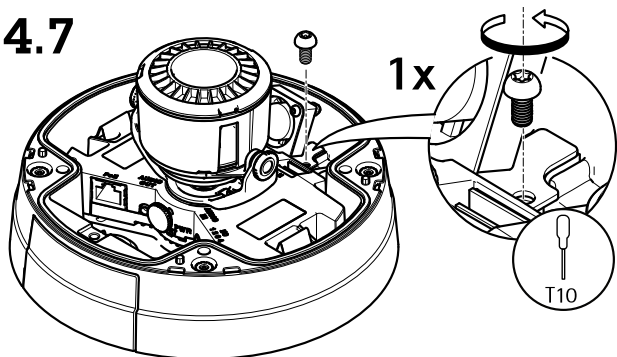
2
1274086



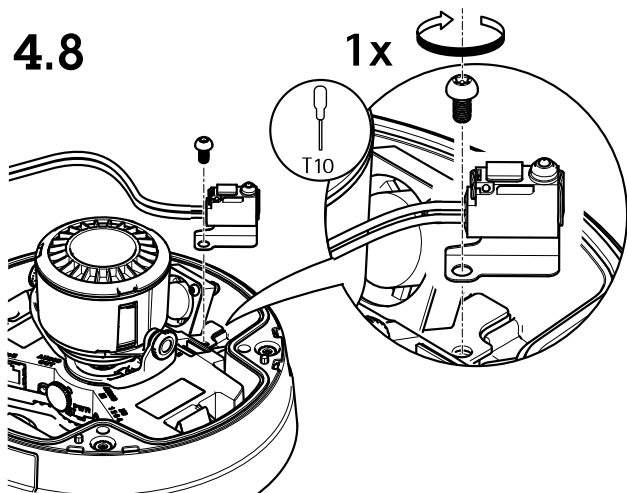
4.6



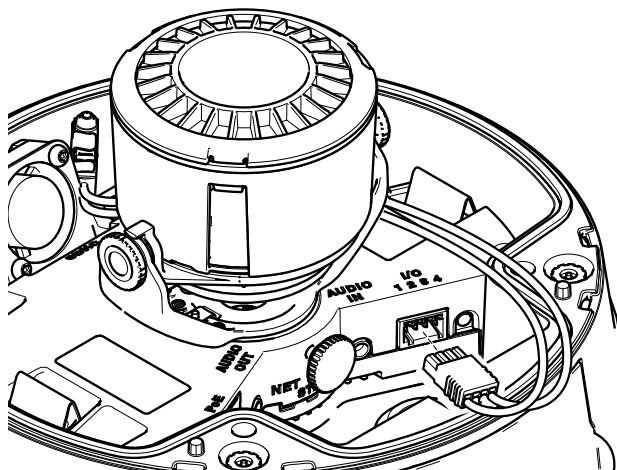
4.7



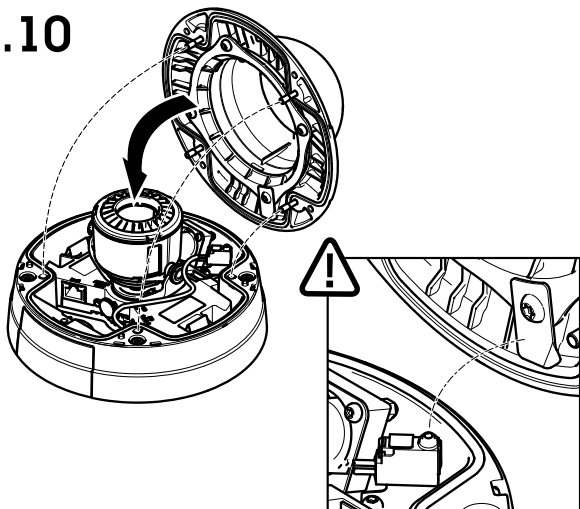
4.8



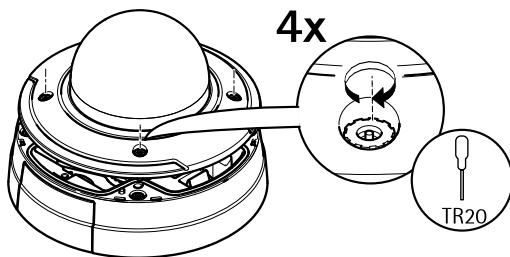
4.9



4.10



4.11



Installation Guide

AXIS Intrusion Switch B

© Axis Communications AB, 2016

Ver. M1.4

Date: September 2016

Part No. 1499197