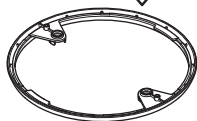
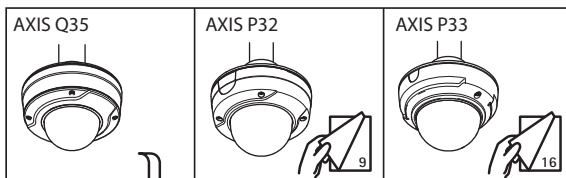
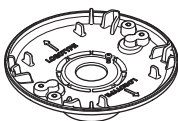


INSTALLATION GUIDE

AXIS T94K01D Pendant Kit



1x

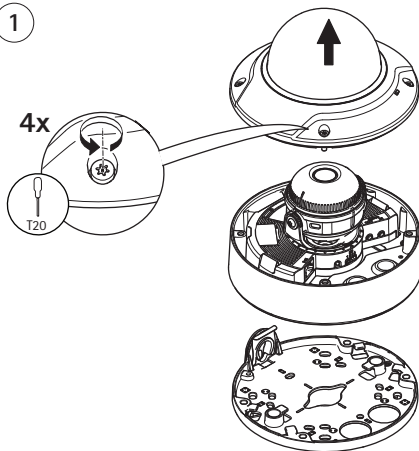


1x

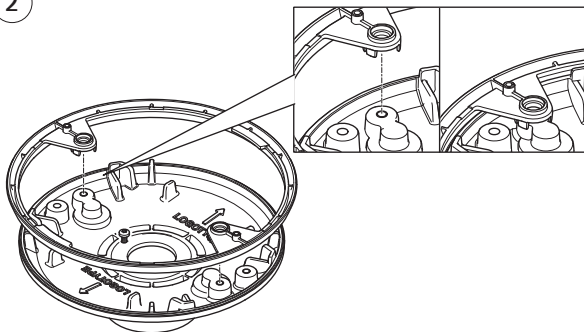


2x

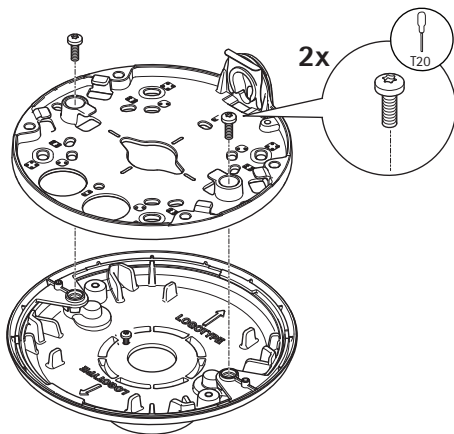
1

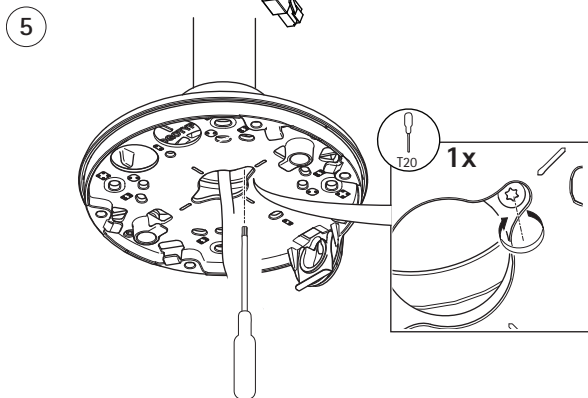
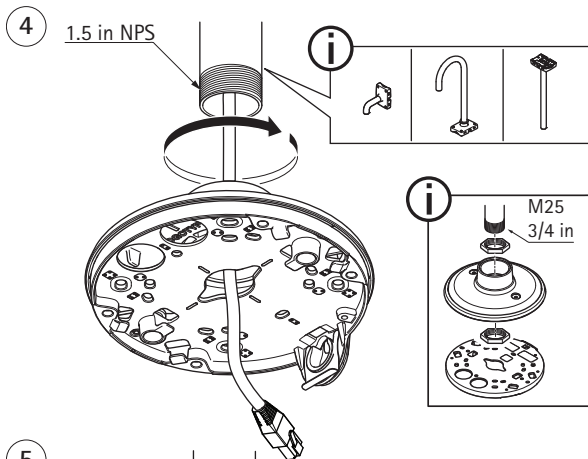


2

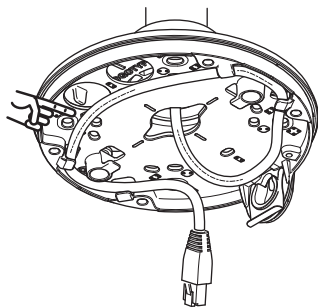


3

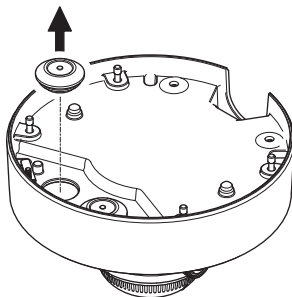




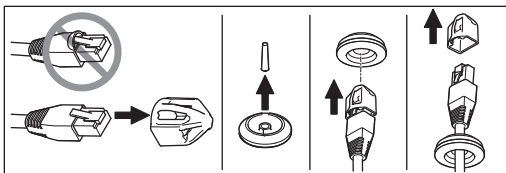
6



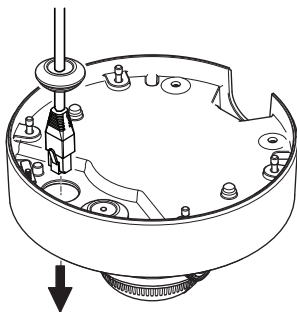
7



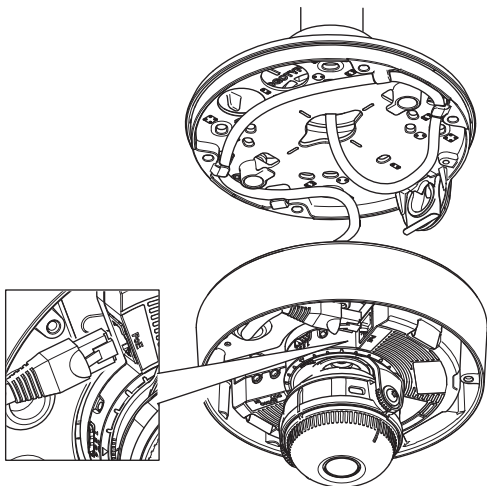
8

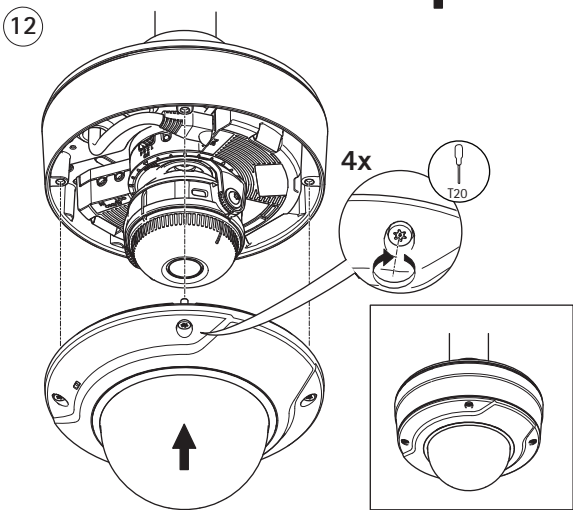
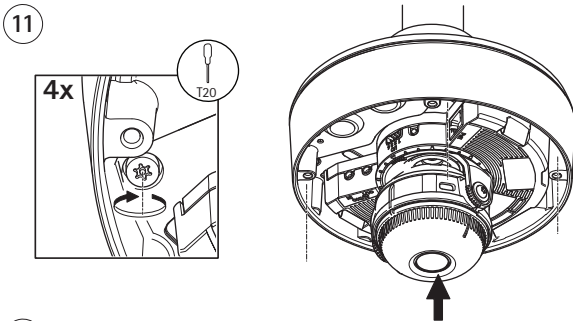


9

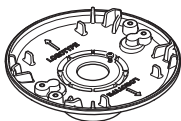
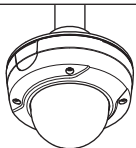


10





AXIS P32

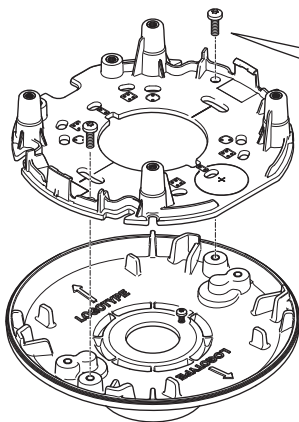


1x



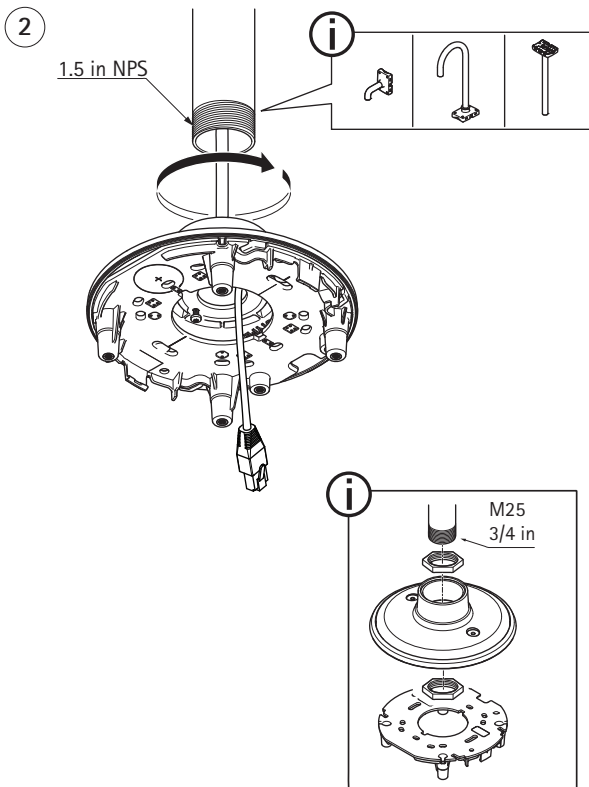
2x

1

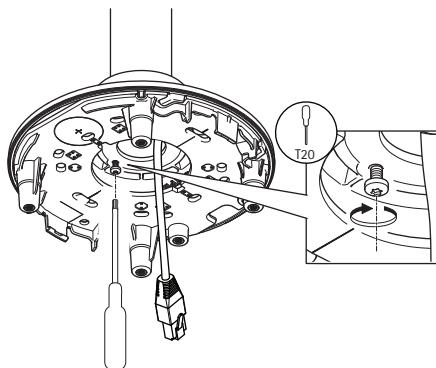


2x

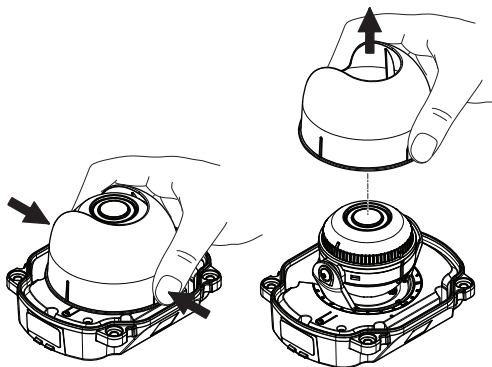
T20



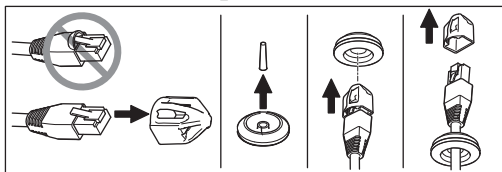
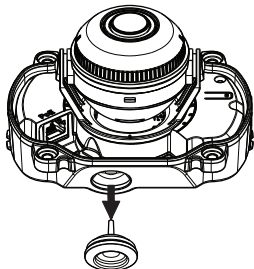
3



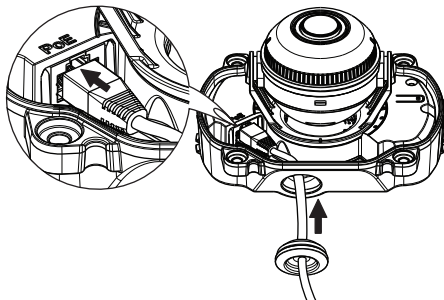
4



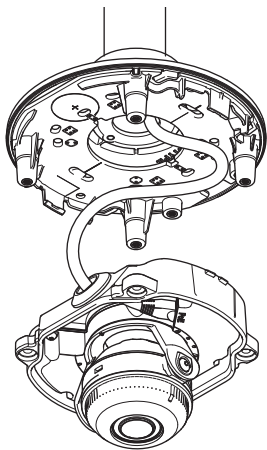
5



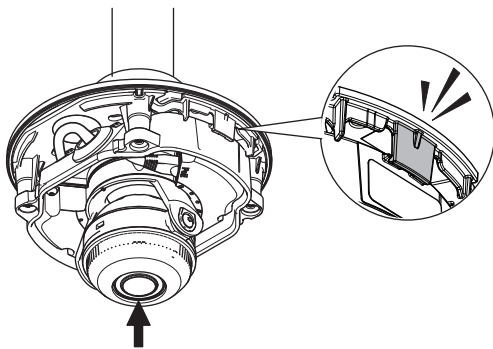
6



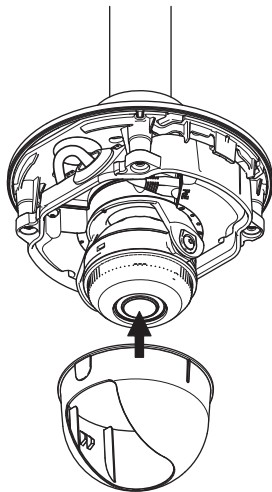
7



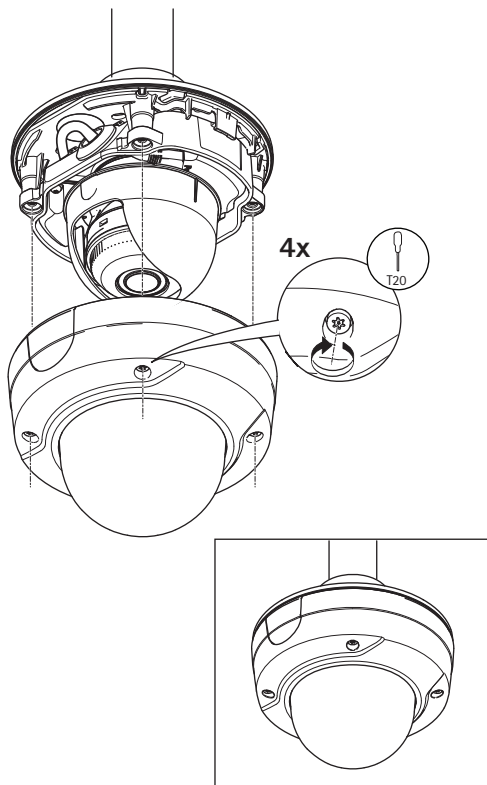
8



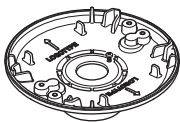
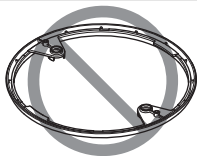
9



10



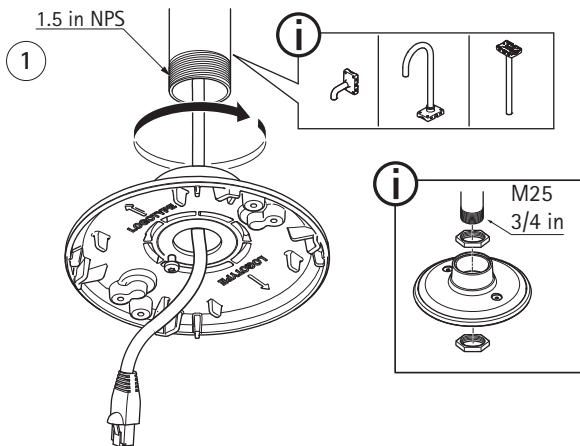
AXIS P33



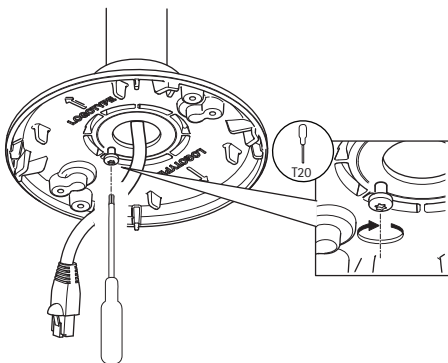
1x



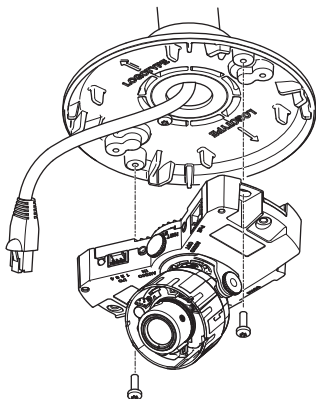
2x



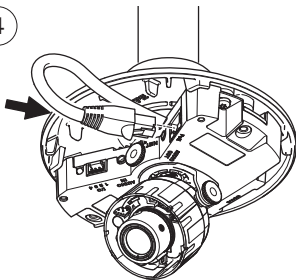
2



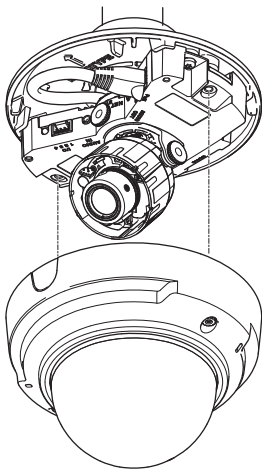
3



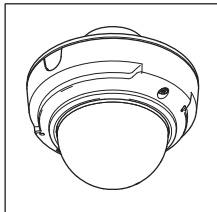
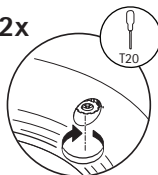
4



5



2x



Installation Guide

Ver.1.0

AXIS T94K01D Pendant Kit

Printed: July 2014

© Axis Communications AB, 2014

Part No. 55803