

AXIS M11-L Network Camera Series

Compact and affordable high-resolution cameras for professional surveillance.



- > Day & Night functionality
- > Built-in IR LEDs
- > Edge storage
- > H.264 and Motion JPEG
- > Power over Ethernet
- > I/O support

AXIS M11-L Network Cameras offer small and compact professional fixed cameras for day and night surveillance. These cameras are ideal for small video surveillance systems such as boutiques, restaurants, hotels and offices.

AXIS M11-L Network Cameras include both an SVGA-resolution camera model and an HDTV model providing 720p video at full frame rate. The cameras offer excellent image quality with progressive scan, providing crisp and clear images of moving objects. With their slim and compact design, the cameras enable quick and easy installation, for any indoor applications where surveillance is required round-the-clock.

Multiple H.264 streams, as well as Motion JPEG streams, can be provided at full frame rate, or each stream can be individually optimized for different quality requirements and bandwidth constraints.

AXIS M11-L Network Cameras offer built-in IR-LED illumination for optimal day and night surveillance. The illumination can be adjusted to match a selected viewing angle and illuminates automatically in darkness, at an event or when requested.

Power over Ethernet supplies power to the camera via the network, eliminating the need for power cables and reducing installation costs. The cameras also include a built-in SD/SDHC memory card slot for edge storage.



Affordable cameras with discreet built-in IR-LED illumination for optimal day and night surveillance.

AXIS M1143-L and AXIS M1144-L Network Cameras are specially designed for easy and discreet surveillance, making them ideal for a wide range of professional applications.

Flexible day and night surveillance

AXIS M11-L Series provides day and night varifocal boardmount lens and adjustable IR LED illumination for optimal light in selected viewing angles. With the highly efficient and discreet integration of IR LEDs, the cameras provide automatic illumination of a scene in complete darkness, at an event or when requested by a user. The IR LED illumination which is invisible to the human eye, is perfect for discovering objects in a range of up to 15 meters (50ft.)



As light diminishes below a certain level, the cameras can automatically switch to night mode to deliver quality images in dark environments.

Slim and compact design for easy installation

AXIS M1143-L and AXIS M1144-L cameras enable quick and easy installation, simple setup and a trouble-free round-the-clock surveillance solution. With their slim and compact design, these cameras are perfectly suited for professional surveillance in boutiques, restaurants, hotels and offices.



Power over Ethernet

The cameras are powered with Power over Ethernet (PoE, IEEE 802.3af standard) using a PoE-enabled switch or midspan over the same standard cable that transmits video. PoE provides multiple benefits, including reduced installation costs and flexibility in camera placement. In addition, the cameras can get centralized backup power which will ensure that the cameras will continue to operate even in the event of a power failure.

Reliable video surveillance systems

AXIS M11-L offer support for edge storage that enables recording video directly to a storage device such as a microSD/microSDHC card, thereby creating a more robust, reliable and flexible video surveillance system. The cameras can record video locally when the central system is not available, or continuously record in parallel. Missing video clips are later retrieved and merged with the central storage, thereby ensuring seamless, uninterrupted video recordings.

Axis Corridor Format

The unique Axis Corridor Format allows getting a vertically oriented, "portrait"-shaped video stream from the camera. The video is adapted perfectly to the monitored area, maximizing image quality while eliminating bandwidth and storage waste.

Unique pixel counter feature

The pixel counter offered in AXIS M11-L cameras allows the installer to easily verify that the camera installation fulfills any regulatory or specific customer requirements, for example, calculating the pixel resolution of the face of a person passing a doorway monitored by the camera.



Unique pixel counter feature

Technical Specifications – AXIS M11-L Network Camera Series

Camera		System integration	
Models	AXIS M1143-L: Varifocal, DC-iris lens: SVGA resolution, IR illumination AXIS M1144-L: Varifocal, DC-iris lens: 1 MP / HDTV 720p, IR illumination	Application Programming Interface	Open API for software integration, including VAPIX® from Axis Communications available at www.axis.com . ONVIF specification available at www.onvif.org Support for AXIS Video Hosting System (AVHS) with One-Click Camera connection
Image sensor	Progressive scan RGB CMOS 1/4"	Intelligent video	Video motion detection, active tampering alarm
Lens	AXIS M1143-L: Varifocal 2.5-6 mm: 72°-34° view*, F1.4 AXIS M1144-L: Varifocal 2.5-6 mm: 87°-40° view*, F1.4 *horizontal angle of view	Event triggers	Intelligent video, edge storage events External input
Minimum illumination	Color: 0,6 lux, F1.4, B/W: 0,08 lux, F1.4 0 lux with IR illumination on	Event actions	File upload: FTP, HTTP, network share and email; notification: email, HTTP and TCP; external output activation; video recording to edge storage; pre- and post-alarm video buffering
Shutter time	1/8000 to 1/6 s	Data streaming	Event data
Pan/Tilt/Zoom	Digital PTZ	General	
Video		Casing	Aluminium and PC/ABS Color: White NCS S 1002-B.
Video compression	H.264 Main Profile (MPEG-4 Part 10/AVC) Motion JPEG	Memory	256 MB RAM, 128 MB Flash
Resolutions	AXIS M1143-L: 800x600 to 352x240 AXIS M1144-L: 1280x800 to 352x240	Power	Power over Ethernet IEEE 802.3af Class 2; max. 5.9 W PoE enabled switch or midspan required (not included)
Frame rate H.264	30 fps in all resolutions	Connectors	RJ-45 10BASE-T/100BASE-TX 1 alarm input and 1 output
Frame rate Motion JPEG	30 fps in all resolutions	IR Illumination	Highly efficient IR LEDs with adjustable intensity and angle of illumination. Range up to 15 m (50ft.)
Video streaming	Multiple, individually configurable streams in H.264 and Motion JPEG Controllable frame rate and bandwidth VBR/CBR H.264	Edge storage	MicroSD/microSDHC/microSDXC slot supporting memory card up to 64 GB (card not included) Support for recording to network share (network-attached storage or file server)
Image settings	Compression, color, brightness, sharpness, contrast, white balance, exposure control Rotation: 0°, 90°, 180°, 270° Text and image overlay, privacy mask and mirroring of images Corridor Format	Operating conditions	0 °C to 40 °C (32 °F to 122 °F) Humidity 20 – 80% RH (non-condensing)
Network		Approvals	EN 55022 Class B, EN 55024, EN 60950-1, EN 61000-3-3, EN 61000-6-1, EN 61000-6-2, EN 61000-6-3, EN 61000-6-4, FCC Part 15 Subpart B Class B, C-tick AS/NZS CISPR 22, ICES-003 Class B, VCCI Class B, KN22, KN24, IEC62471, EU-RoHS 2002/95/EC
Security	Password protection, IP address filtering, HTTPS encryption, digest authentication, user access log	Weight	250g (0.21 lb.)
Supported protocols	IPv4/v6, HTTP, HTTPS, QoS Layer 3 DiffServ, FTP, CIFS/SMB, SMTP, Bonjour, UPnP™, SNMPv1/v2c/v3(MIB-II), DNS, DynDNS, NTP, RTSP, RTP, TCP, UDP, IGMP, RTCP, ICMP, DHCP, ARP, SOCKS	Included accessories	Stand, Lever tool, Installation Guide, Installation and Management Software CD, Windows decoder 1-user license

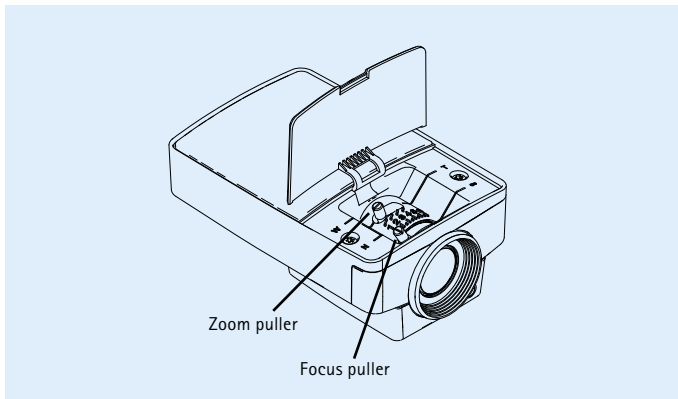
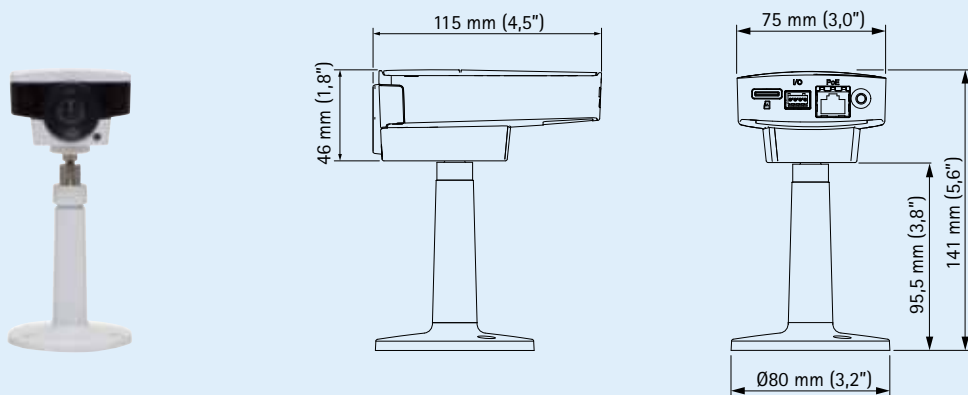
More information is available at www.axis.com

Model Specifications – AXIS M11 Network Camera Series

	CS mount	DC iris	Edge storage	Day and night	IR LEDs	I/O	Outdoor
AXIS M1103	✓						Requires housing
AXIS M1104	✓						Requires housing
AXIS M1113	✓	✓					Requires housing
AXIS M1113-E	✓						✓
AXIS M1114	✓	✓					Requires housing
AXIS M1114-E	✓						✓
AXIS M1143-L		✓	✓	✓	✓	✓	
AXIS M1144-L		✓	✓	✓	✓	✓	

Dimensions - AXIS M11-L Network Camera Series

Dimensions



Accessories - AXIS M11-L Network Camera Series

Optional accessories

AXIS T8414
Installation Display



AXIS T8120 Midspan
1-port



AXIS PoE Midspan
8-port and 16-port



AXIS Camera Companion (included),
AXIS Camera Station and video
management software from Axis'
Application Development Partners (not
included). For more information, see
www.axis.com/products/video/software