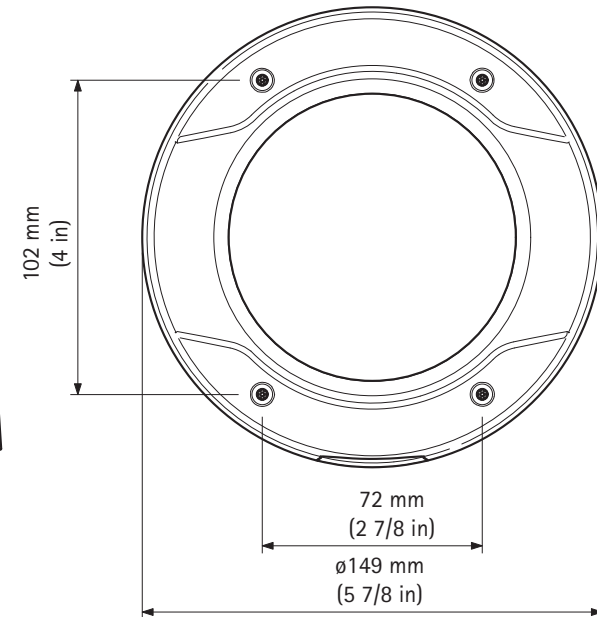
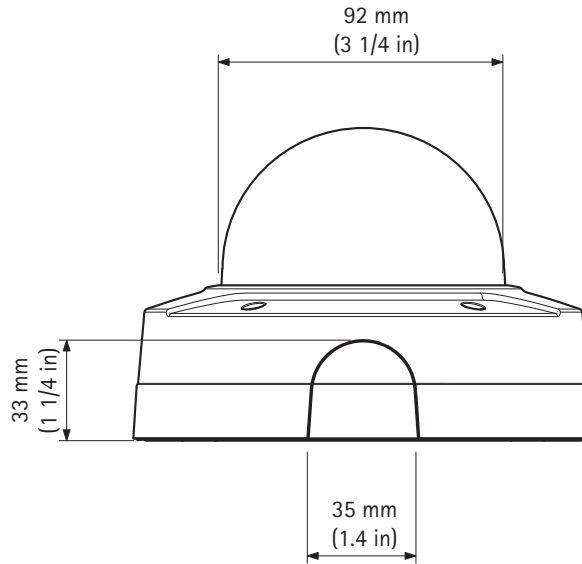
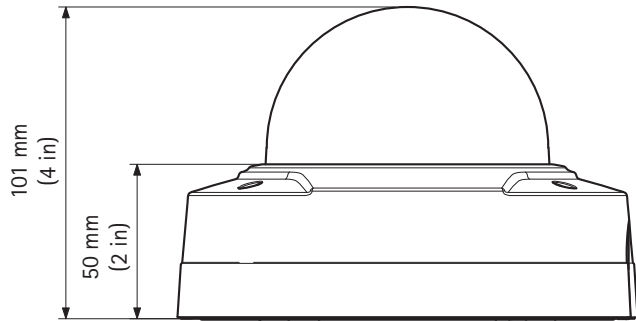
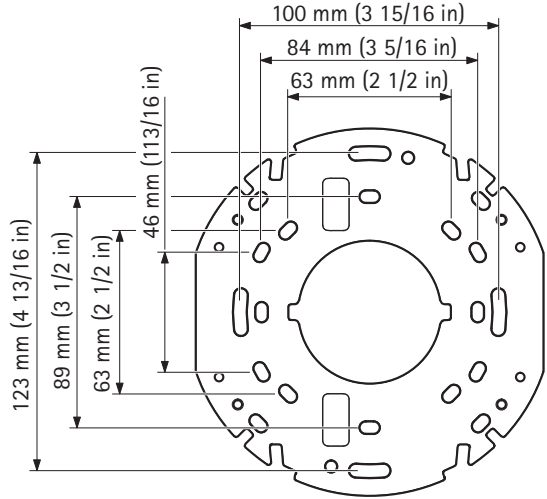


Detailed measurements



# AXIS P3224-LV, P3225-LV

## Network Camera

13 MARCH, 2015