

USER'S GUIDE

AXIS T92E Housing Series

AXIS T92E05 Protective Housing

AXIS T92E20 Outdoor Housing

ENGLISH

FRANÇAIS

DEUTSCH

ITALIANO

ESPAÑOL

Legal Considerations

Video and audio surveillance can be prohibited by laws that vary from country to country. Check the laws in your local region before using this product for surveillance purposes.

Trademark Acknowledgments

Apple, Boa, Bonjour, Ethernet, Internet Explorer, Linux, Microsoft, Mozilla, Netscape Navigator, OS/2, Real, SMPTE, QuickTime, UNIX, Windows, WWW are registered trademarks of the respective holders. Java and all Java-based trademarks and logos are trademarks or registered trademarks of Sun Microsystems, Inc. in the United States and other countries. Axis Communications AB is independent of Sun Microsystems Inc. UPnP™ is a certification mark of the UPnP™ Implementers Corporation.

Electromagnetic Compatibility (EMC)

This equipment generates, uses and can radiate radio frequency energy and, if not installed and used in accordance with the instructions, may cause harmful interference to radio communications. However, there is no guarantee that interference will not occur in a particular installation.

If this equipment does cause harmful interference to radio or television reception, which can be determined by turning the equipment off and on, the user is encouraged to try to correct the interference by one or more of the following measures: Re-orient or relocate the receiving antenna. Increase the separation between the equipment and receiver. Connect the equipment to an outlet on a different circuit to the receiver. Consult your dealer or an experienced radio/TV technician for help. Shielded (STP) network cables must be used with this unit to ensure compliance with EMC standards.

USA – This equipment has been tested and found to comply with the limits for a Class B computing device pursuant to Subpart B of Part 15 of FCC rules, which are designed to provide reasonable protection against such interference when operated in a commercial environment. Operation of this equipment in a residential area is likely to cause interference, in which case the user at his/her own expense will be required to take whatever measures may be required to correct the interference.

Canada – This Class B digital apparatus complies with Canadian ICES-003.

Europe – CE This digital equipment fulfills the requirements for radiated emission according to limit B of EN55022, and the requirements for immunity according to EN55024 residential and commercial industry.

Japan – This is a class B product based on the standard of the Voluntary Control Council for Interference from Information Technology Equipment (VCCI). If this is used near a radio or television receiver in a domestic environment, it may cause radio interference. Install and use the equipment according to the instruction manual.

Australia – This electronic device meets the requirements of the Radio communications (Electromagnetic Compatibility) Standard AS/NZS CISPR22:2002.

Korea – 이 기기는 가정용(B급) 전자파적합기기로써 주로 가정에서 사용하는 것을 목적으로 하며, 모든 지역에서 사용할 수 있습니다.

Safety

Complies to EN 60950-1 (IEC 60950-1), Safety of Information Technology Equipment.

Equipment Modifications

This equipment must be installed and used in strict accordance with the instructions given in the user documentation. This equipment contains no user-serviceable components. Unauthorized equipment changes or modifications will invalidate all applicable regulatory certifications and approvals.

Liability

Every care has been taken in the preparation of this document. Please inform your local Axis office of any inaccuracies or omissions. Axis Communications AB cannot be held responsible for any technical or typographical errors and reserves the right to make changes to the product and documentation without prior notice. Axis Communications AB makes no warranty of any kind with regard to the material contained within this document, including, but not limited to, the implied warranties of merchantability and fitness for a particular purpose. Axis Communications AB shall not be liable nor responsible for incidental or consequential damages in connection with the furnishing, performance or use of this material.

RoHS

This product complies with both the European RoHS directive, 2002/95/EC, and the Chinese RoHS regulations, ACPEIP.



WEEE Directive

The European Union has enacted a Directive 2002/96/EC on Waste Electrical and Electronic Equipment (WEEE Directive). This directive is applicable in the European Union member states. The WEEE marking on this product (see right) or its documentation indicates that the product must not be disposed of together with household waste. To prevent possible harm to human health and/or the environment, the product must be disposed of in an approved and environmentally safe recycling process. For further information on how to dispose of this product correctly, contact the product supplier, or the local authority responsible for waste disposal in your area. Business users should contact the product supplier for information on how to dispose of this product correctly. This product should not be mixed with other commercial waste.



Support

Should you require any technical assistance, please contact your Axis reseller. If your questions cannot be answered immediately, your reseller will forward your queries through the appropriate channels to ensure a rapid response. If you are connected to the Internet, you can:

- download user documentation and firmware updates
- find answers to resolved problems in the FAQ database. Search by product, category, or phrases
- report problems to Axis support by logging in to your private support area

Safeguards

Please read through this User's Guide carefully before installing the product. Keep the User's Guide for further reference.

CAUTION!

- When transporting the Axis product, use the original packaging or equivalent to prevent damage to the product.
- Store the Axis product in a dry and ventilated environment.
- Avoid exposing the Axis product to vibration, shocks or heavy pressure and do not install the camera on unstable brackets, unstable or vibrating surfaces or walls, since this could cause damage to the product.
- Only use handtools when installing the Axis product, the use of electrical tools or excessive force could cause damage to the product.
- Do not use chemicals, caustic agents, or aerosol cleaners. Use a damp cloth for cleaning.
- Only use accessories and spare parts provided or recommended by Axis.
- Do not attempt to repair the product by yourself, contact Axis or your Axis reseller for service matters.

IMPORTANT!

- This Axis product must be used in compliance with local laws and regulations.

AXIS T92E05/T92E20 User's Guide

This User's Guide provides instructions for installing AXIS T92E05 Protective Housing and AXIS T92E20 Outdoor Housing.

To install the camera on the network, please see the Installation Guide provided with the camera. For other details about the camera, see the User's Manual, available from the CD provided with the camera, or from www.axis.com.

Installation steps

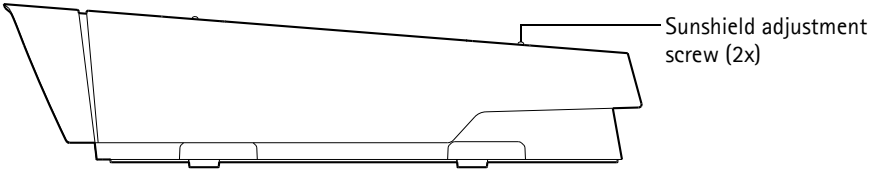
1. Check the package contents against the list below.
2. Hardware overview. See page 6.
3. Install the hardware. See page 7.

1 Package contents

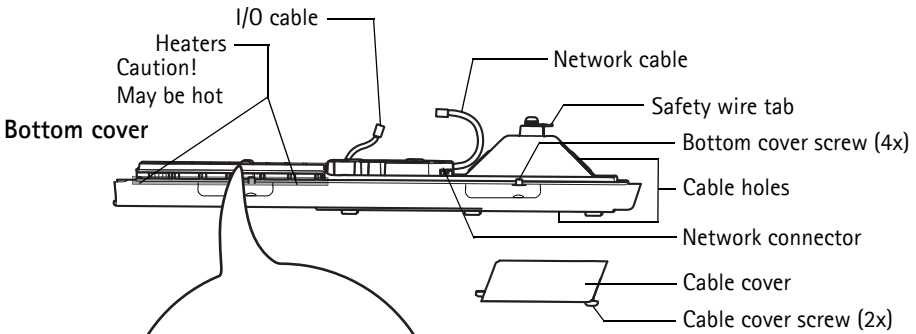
Item	Models/variants/notes
Housing	AXIS T92E05/T92E20
Wall bracket	Wall bracket with internal cable channel
Network cable	Outdoor network cable 5 m (16 ft.) with gasket M20 Cable gland for IP66 (3x) 2x short Ethernet cables (AXIS T92E20 only)
Tools	Torx T20 screw driver Allen key
Holder mounting kit	Stabilizing screw Camera screw and washer
Printed materials	AXIS T92E05/T92E20 User's Guide (this document) Drill template Axis Warranty Document
Optional accessories	See www.axis.com for information on power accessories, product documentation, installation tools and other software.

2 Hardware overview

Sunshield and top cover



Sunshield adjustment screw (2x)



Heaters
Caution!
May be hot

Bottom cover

I/O cable

Network cable

Safety wire tab

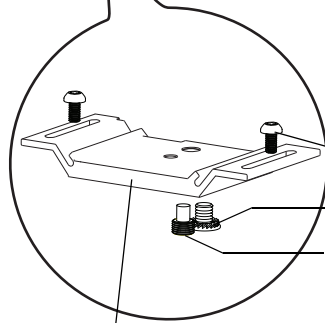
Bottom cover screw (4x)

Cable holes

Network connector

Cable cover

Cable cover screw (2x)

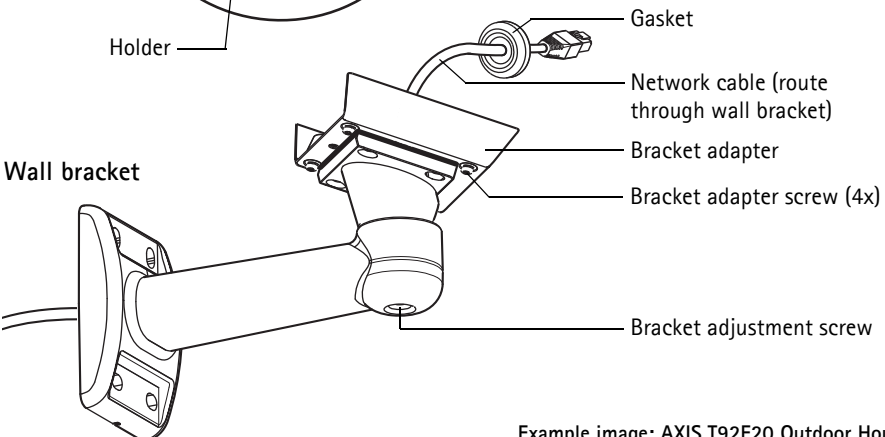


Holder screw (2x)

Camera screw and washer

Stabilizing screw

Holder



Gasket

Network cable (route through wall bracket)

Bracket adapter

Bracket adapter screw (4x)

Wall bracket

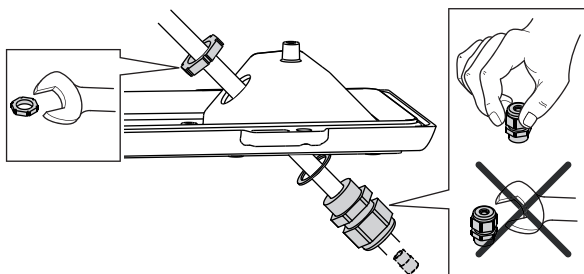
Bracket adjustment screw

3 Install the hardware

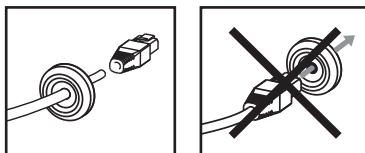
Prepare the network cable

The provided network cable can be connected in several ways. The first option is to use the cable as is, with the pre-mounted rubber gasket.

The second option is to use the provided plastic M20 cable gland, which must be used to achieve an IP66 rating. Using any other cable gland may cause water to seep in and damage the camera.



If a cable other than the provided cable is used, you need to prepare a shielded network cable with a gasket. Gently force the cable through the gasket provided and attach a network connector. It may be necessary to pierce a hole in the gasket with the supplied screwdriver.

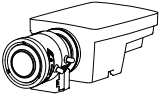
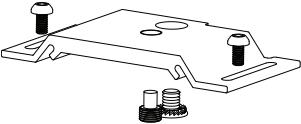
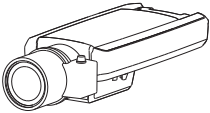
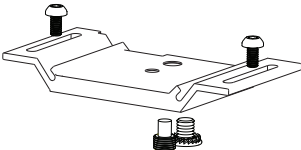
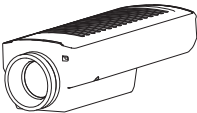
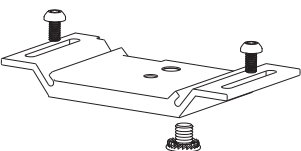


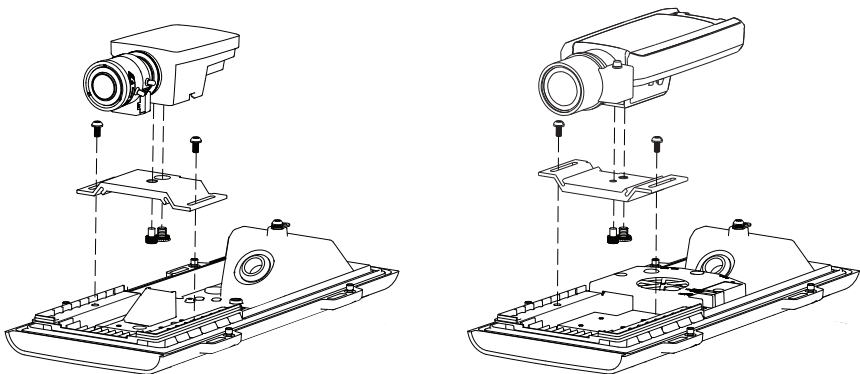
Notes:

- Do not force the network connector into the gasket.
- Do not pierce the gasket with a knife or other sharp object.
- Always use a shielded network cable (STP) intended for outdoor use between the camera and the end point and ensure that the end point is properly grounded. Installations of Axis cameras using a shielded network cable (STP) and a properly grounded end point have been tested to comply with industry immunity standards' levels such as surge protection. Any other installation method will void the warranty and leave the unit at a risk.

Install the camera in the housing

1. Loosen the bottom cover screws and remove the top cover.
2. Loosen the holder screws and remove the holder.
3. Secure the camera and holder with the screws and washer according to the illustrations and table below. Tighten the stabilizing screw just lightly and tighten the camera screw to 2 Nm. Be careful not to overtighten the screws.

Camera model	AXIS T92E05/AXIS T92E20	AXIS T92E20	
	Holder position and fasteners	I/O cable	Cold Startup Delay
		No	Off (0)
		Yes	Off (0)
		Yes	On (I)



Example images: AXIS M1114 Network camera and AXIS T92E05 Protective Housing
 AXIS P1343 Network camera and AXIS T92E20 Outdoor Housing

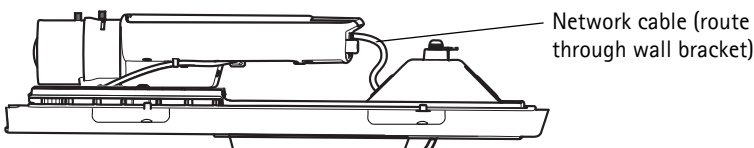
4. If applicable, connect the network cable and the I/O cable, which are pre-installed in the outdoor housing, to the camera, see illustration on page 10 and table on page 8.
5. Fit the holder on the bottom cover and adjust its position. Allow just enough distance, approximately 5–10 mm (0.2–0.4 in.), between the camera lens and the front end of the plastic inner housing to fit the top cover without the window scratching the lens.
6. Tighten the screws.
7. Optionally insert an SD memory card (not included) into the SDHC (Secure Digital High Capacity) card slot. A standard or high capacity SD card is required to store images locally in the camera.
8. If applicable, set the Cold Startup Delay switch to the correct position, see table on page 8 and *Cold Startup Delay Switch*, on page 11.

Install the wall bracket

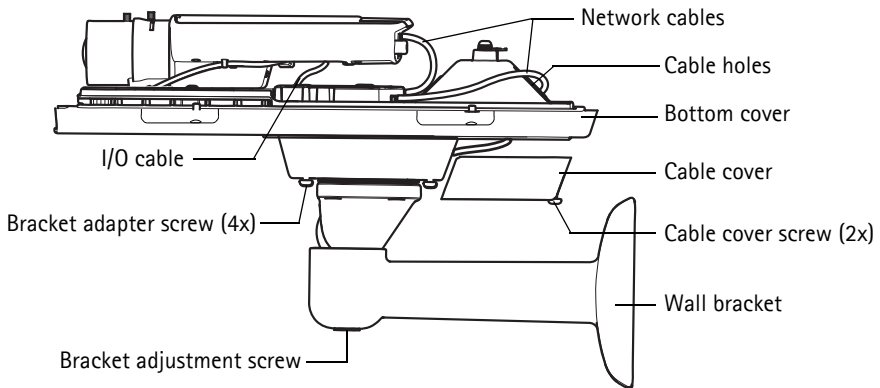
1. Use the supplied drill template to prepare a wall or pole for installation of the wall bracket.
2. Route the network cable through the wall bracket according to the wall bracket illustration in *Hardware overview*, on page 6. Leave approximately 30 cm (11.8") of cable for connecting the camera.
3. Install the wall bracket on a wall or pole and make sure that the screws and plugs are appropriate for the material (e.g. wood, metal, sheet rock, stone).

Install the camera on the bracket

1. Loosen the cable cover screws and remove the cable cover from the bottom cover.
2. Install the camera with the bottom cover on the bracket and tighten the bracket adapter screws.
3. Remove the gasket from one of the holes in the bottom cover, see illustrations on page 6 and page 10.
4. Route the cable through the hole and attach the cable gasket to the hole.

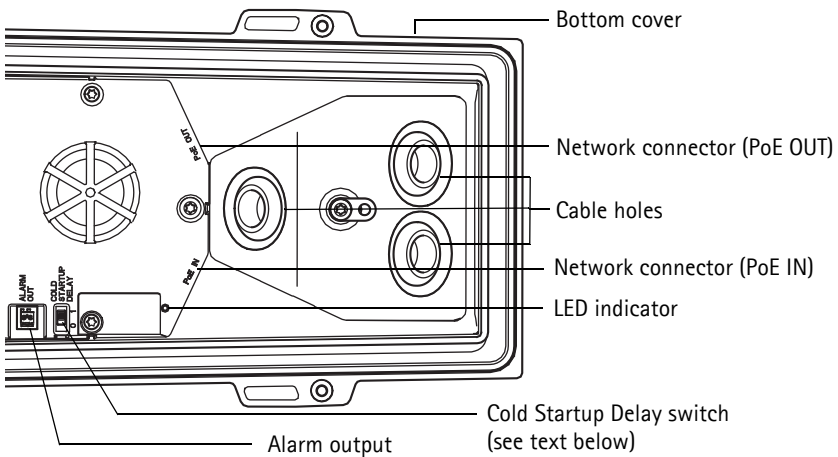


Example image: AXIS P1343 Network Camera and AXIS T92E05 Protective Housing



Example image: AXIS P1343 Network Camera and AXIS T92E20 Outdoor Housing

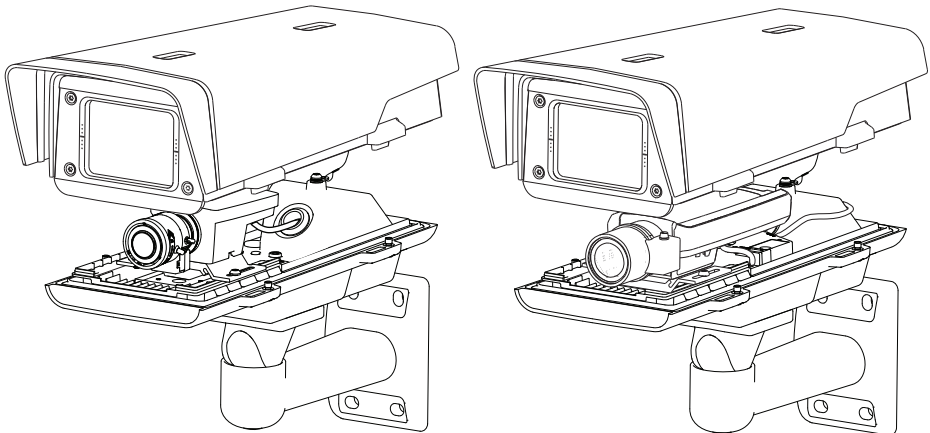
5. Install the cable cover and tighten the cable cover screws.
6. Connect the camera to the network. Depending on the type of housing, connect the network cable to the network connector on the camera or the housing, see illustrations on page 9 and page 10.
7. If applicable, check that the Status LEDs indicate the correct conditions. See table on page 12 for further details. Note that the Status LED can be configured to be unlit during normal operation.



Example image: AXIS T92E20 Outdoor Housing

8. Loosen the bracket adjustment screw to aim the camera to the point of interest and focus the camera according to the instructions in the Installation Guide provided with the camera.
9. Take the top cover and attach the safety wire to the tab on the bottom cover.

10. Install the top cover. Make sure to tighten diagonally opposite bottom cover screws a few turns at a time until all are tight. This will help ensure that the bottom cover gasket is compressed evenly. Do not attempt to tighten the screws completely the first time.



Example images: AXIS M1114 Network Camera and AXIS T92E05 Protective Housing
 AXIS P1343 Network Camera and AXIS T92E20 Outdoor Housing

11. Loosen the sunshield adjustment screws and adjust the sunshield to the desired position.

Further information

See the Installation Guide provided with the camera for information on how to assign an IP address, set the password and access the video stream. The Installation Guide is also available from the Axis Web site at www.axis.com

Cold Startup Delay Switch

AXIS T92E20 features Arctic Temperature Control, which is enabled by setting the Cold Startup Delay switch to I (ON). When enabled, this function controls when the camera restarts after a power cut, when temperatures are below 0 °C (32 °F); the camera is first heated to approximately 0 °C (32 °F) before it initializes. This prevents damage to camera models that include moving parts.

Note: The switch should be disabled for cameras without moving parts, since they do not require this function, see table on page 8.

Status LED on housing electronics (fan/heater)

LED	Color	Indication
Power	Green	OK
	Flashing green	Single flash: Heater error Double flash: Fan error Triple flash: General error Note: Alarm events will be triggered through the camera's input port. See the User's Manual, available on the CD provided with the camera, or from www.axis.com Contact your Axis reseller for information about spare parts and troubleshooting.

Technical Specifications

Function/group	Item	Specification
	Models	AXIS T92E05 Protective Housing AXIS T92E20 Outdoor Housing
General	Casing	Aluminium casing, polycarbonate sunshield and cable cover. IP66- and NEMA 4X-rated, IK10 impact-resistant aluminum enclosure
	Operating conditions	AXIS T92E05: -20°C to 55°C (-4°F to 131°F)* Humidity 15 – 100% (condensing) AXIS T92E20: -40°C to 50°C (-40°F to 122°F)* Humidity 15 – 100% (condensing) * Operating temperatures may vary depending on camera, see the User's Manual, available from the CD provided with the camera, or from www.axis.com
	Approvals	AXIS T92E05: IEC 60068-2-6, IEC 60068-2-27 AXIS T92E20: EN 55022 Class B, EN 61000-3-2, EN 61000-3-3, EN 55024, EN 61000-6-1, EN 61000-6-2, EN 60950-22, IEC 60068-2-6, IEC 60068-2-27, FCC Part 15, Subpart B, Class B, VCCI, Class B ITE, C-tick AS/NZS CISPR 22, ICES-003, Class B, KCC Class B
	Dimensions (HxWxD)	120 x 161 x 404 mm (4.7" x 6.4" x 15.9")
	Weight	AXIS T92E05: 2.4 kg (5.1 lb.) AXIS T92E20: 2.5 kg (5.5 lb.)
	Included accessories	VT wall bracket, sunshield, 5 m (16 ft.) Ethernet cable with pre-mounted gasket, 2x short Ethernet cables (AXIS T92E20 only), User's Guide

Mesures de sécurité

Lisez attentivement le présent guide d'utilisation avant d'installer le produit. Conservez le guide d'utilisation si vous souhaitez le consulter ultérieurement.

ATTENTION !

- Pour éviter d'endommager le produit Axis, utilisez l'emballage d'origine ou un équivalent pour le transporter.
- Stockez le produit Axis dans un environnement sec et aéré.
- Évitez d'exposer le produit Axis à des vibrations, des chocs ou une trop forte pression et ne l'installez pas sur des supports instables, ou des surfaces ou des murs instables ou vibrants. Cela risque de l'endommager.
- Utilisez uniquement des outils manuels pour l'installation du produit Axis, l'utilisation d'outils électriques ou l'usage excessif de la force risque de l'endommager.
- N'utilisez ni produits chimiques, ni substances caustiques, ni nettoyeurs àérosol. Utilisez un linge humide pour le nettoyage.
- Utilisez uniquement des accessoires et des pièces de rechange fournis ou recommandés par Axis.
- Ne tentez pas de réparer le produit vous-même, contactez Axis ou votre revendeur Axis pour tout problème lié au service.

IMPORTANT !

- Ce produit Axis doit être utilisé conformément aux lois et réglementations locales en vigueur.

AXIS T92E05/T92E20

Guide d'utilisation

Ce guide d'utilisation fournit des instructions relatives à l'installation du caisson de protection AXIS T92E05 et du caisson d'extérieur AXIS T92E20.

Pour installer la caméra sur le réseau, veuillez vous référer au guide d'installation fourni avec la caméra. Pour en savoir plus sur la caméra, consultez le manuel de l'utilisateur, disponible sur le CD fourni avec la caméra ou sur le site www.axis.com.

Procédure d'installation

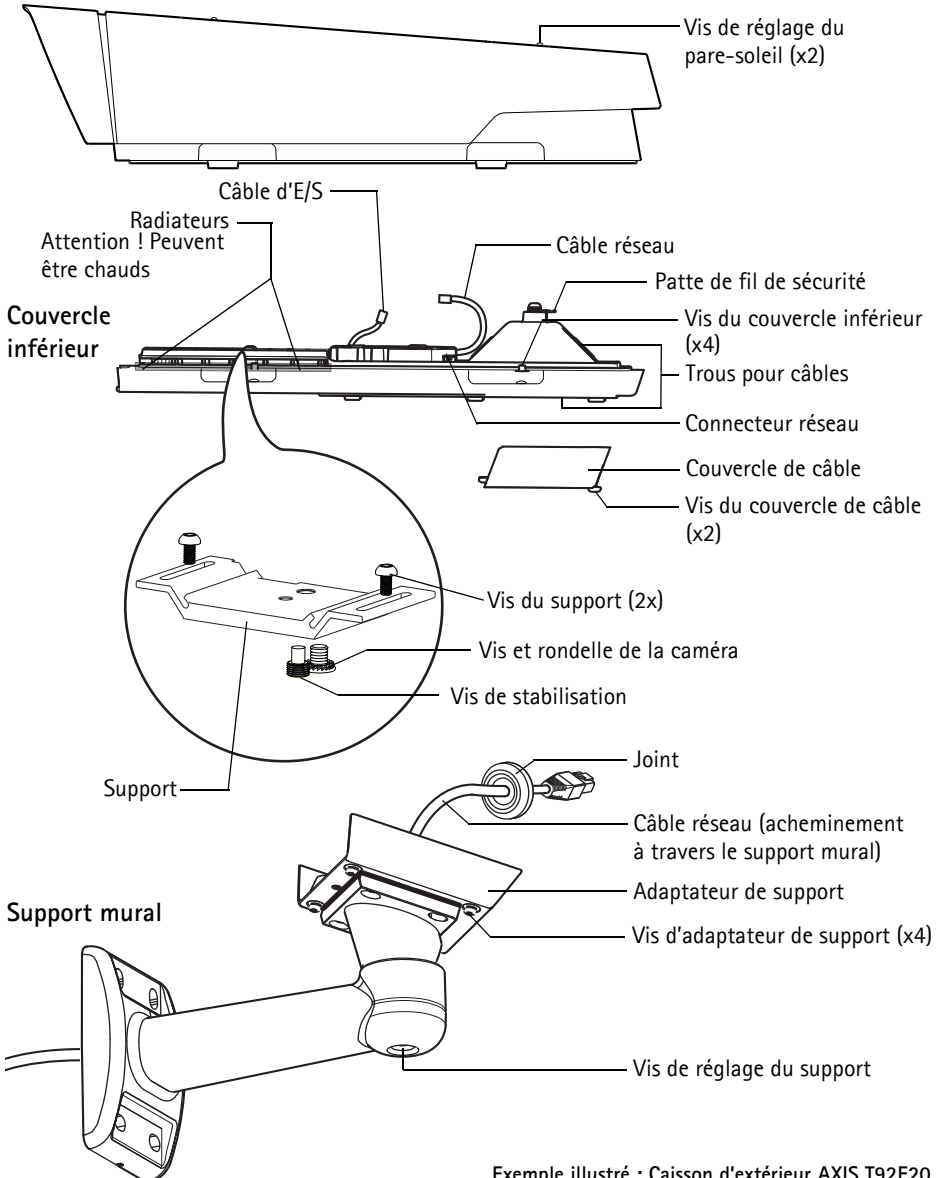
1. Vérifiez le contenu de l'emballage par rapport à la liste ci-dessous.
2. Vue d'ensemble du matériel. Reportez-vous à la page 16.
3. Installation du matériel. Reportez-vous à la page 17.

1 Contenu de l'emballage

Élément	Modèles/variantes/remarques
Caisson	AXIS T92E05/T92E20
Support mural	Support mural avec chemin de câble interne
Câble réseau	Câble réseau d'extérieur 5 m avec joint Presse-étoupe M20 pour IP66 (3x) 2x câble Ethernet court (Axis T92E20 seulement)
Outils	Tournevis Torx T20 Clé hexagonale
Kit de montage du support	Vis de stabilisation Vis et rondelle de la caméra
Documentation imprimée	Guide d'utilisation de l'AXIS T92E05/T92E20(ce document) Gabarit de perçage Document de garantie d'Axis
Accessoires en option	Consultez le site www.axis.com pour plus d'informations sur les accessoires d'alimentation, la documentation, les outils d'installation et les autres logiciels.

2 Vue d'ensemble du matériel

Pare-soleil et couvercle supérieur



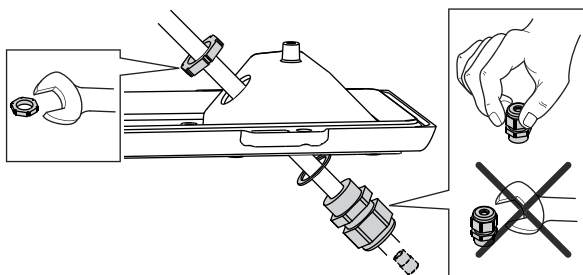
Exemple illustré : Caisson d'extérieur AXIS T92E20

3 Installation du matériel

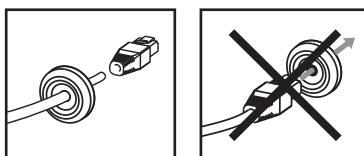
Préparation du câble réseau

Le câble réseau fourni peut être connecté de plusieurs façons. La première option consiste à utiliser le câble tel quel, avec le joint en caoutchouc prémonté.

La deuxième option consiste à utiliser le presse-étoupe M20 en plastique fourni (obligatoire pour l'obtention d'une classification IP66). L'utilisation de tout autre presse-étoupe risque d'entraîner une infiltration d'eau et d'endommager la caméra.



Si vous utilisez un câble autre que celui fourni, il est nécessaire de préparer un câble réseau avec un joint. Faites passer délicatement le câble à travers le joint fourni et complétez-le par un connecteur réseau. Il peut être nécessaire de percer un trou dans le joint à l'aide du tournevis fourni.

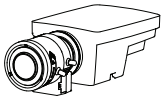
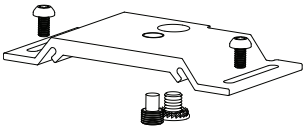
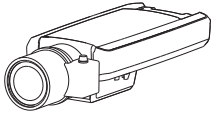
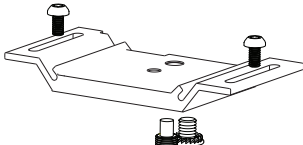
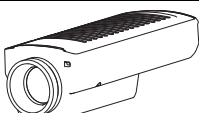
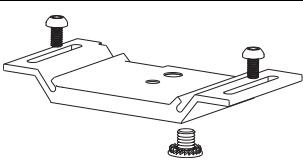


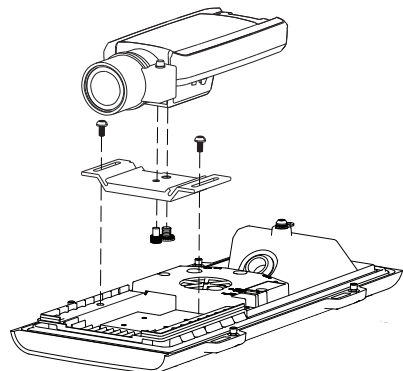
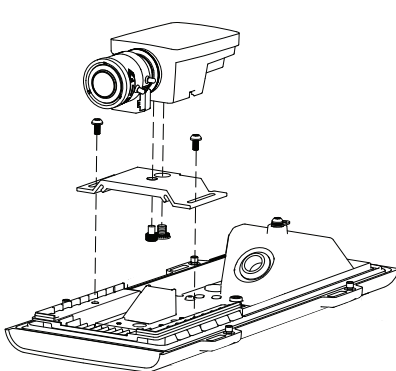
Remarques :

- Ne forcez pas l'entrée du connecteur réseau dans le joint.
- Ne percez pas le joint avec un couteau ou tout autre objet tranchant.
- Utilisez toujours un câble réseau à paires torsadées blindé à usage extérieur pour la liaison entre la caméra et le point terminal. Assurez-vous également que le point terminal soit correctement mis à la terre. Les installations des caméras Axis à l'aide d'un câble réseau à paires torsadées blindé et du point terminal correctement mis à terre ont été soumises à des tests rigoureux, conformément aux niveaux de la norme relative à l'immunité de l'industrie, notamment la protection contre les surtensions. Toute autre méthode d'installation annule la garantie et expose le produit à des risques. Utilisez un câble réseau blindé.

Installation de la caméra dans le caisson

1. Desserrez les vis du couvercle inférieur et retirez le couvercle supérieur.
2. Desserrez les vis du support pour pouvoir le retirer.
3. Fixez la caméra et le support à l'aide des vis et des rondelles, conformément aux illustrations et au tableau ci-dessous. Serrez la vis de stabilisation légèrement et serrez la vis de la caméra avec un couple de 2 Nm. Veillez à ne pas trop les serrer.

Modèle de caméra	AXIS T9E05/AXIS T9E20	AXIS T9E20	
	Position du support et des éléments de fixation	Câble d'E/S	Report de démarrage à froid
		Non	Désactivé (0)
		Oui	Désactivé (0)
		Oui	Activé (I)



Exemples illustrés : Caméra réseau AXIS M1114 et caisson de protection AXIS T9E05
Caméra réseau AXIS P1343 et caisson d'extérieur AXIS T9E20

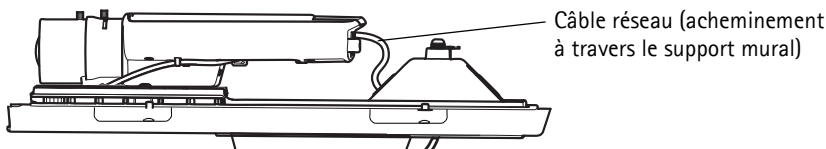
4. Le cas échéant, branchez le câble réseau et le câble d'E/S, qui sont préinstallés dans le caisson extérieur, à la caméra ; reportez-vous à l'illustration à la page 20 et au tableau à la page 18.
5. Positionnez le support sur le couvercle inférieur, puis ajustez sa position. Prévoyez une distance suffisante, d'environ 5 à 10 mm, entre l'objectif de la caméra et l'extrémité avant du caisson intérieur en plastique pour positionner le couvercle supérieur sans que la fenêtre ne raye l'objectif.
6. Serrez les vis.
7. Si vous le souhaitez, insérez une carte mémoire SD (non fournie) dans le logement de carte SDHC (Secure Digital High Capacity). Une carte SD standard ou haute capacité est requise pour stocker des images en local sur la caméra.
8. Le cas échéant, mettez le commutateur de report de démarrage à froid sur la position appropriée ; reportez-vous au tableau à la page 18 et à la *Commutateur de report de démarrage à froid*, page 21.

Installation du support mural

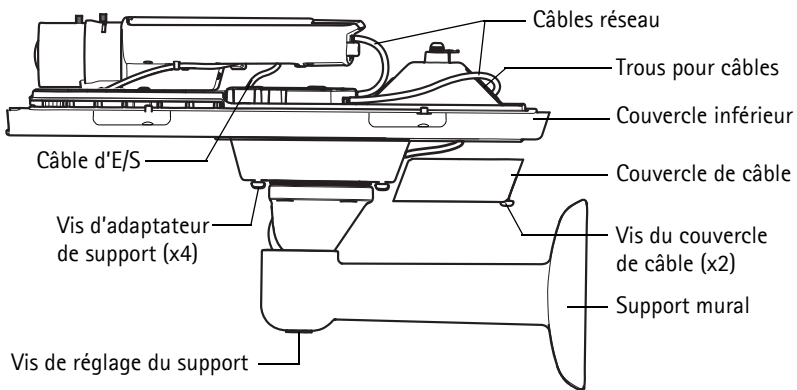
1. Préparez le mur ou le poteau de montage pour installer le support mural à l'aide du gabarit de perçage fourni.
2. Acheminez le câble réseau dans le support mural, conformément à l'illustration du support mural à la section *Vue d'ensemble du matériel*, page 16. Laissez environ 30 cm de câble pour la connexion de la caméra.
3. Fixez le support mural au mur ou sur un poteau et assurez-vous que les vis et les fiches sont adaptées au matériau (par exemple du bois, du métal, du carton-plâtre, de la pierre).

Installation de la caméra sur le support

1. Desserrez les vis du couvercle de câble pour pouvoir le retirer du couvercle inférieur.
2. Installez la caméra avec le couvercle inférieur sur le support et serrez les vis de l'adaptateur de support.
3. Retirez le joint de l'un des trous du couvercle inférieur. Reportez-vous aux illustrations de la page 16 et page 20.
4. Acheminez le câble dans le trou et fixez le joint du câble au trou.

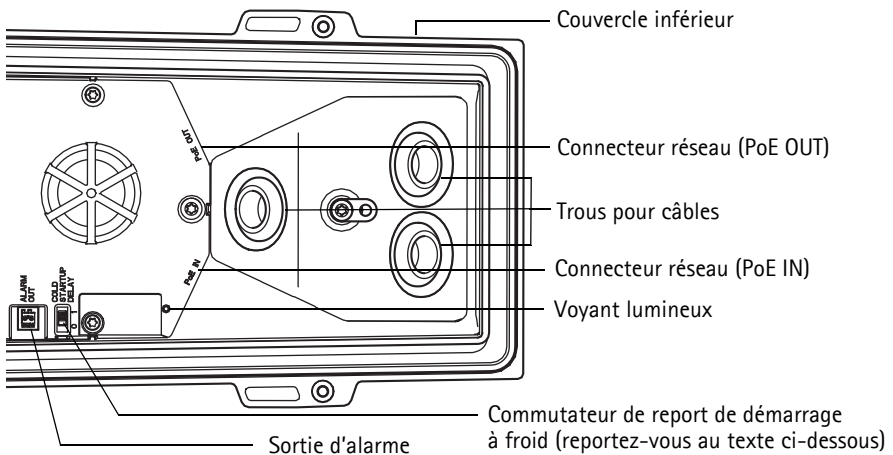


Exemple illustré : caméra réseau AXIS P1343 et caisson de protection AXIS T92E05



Exemple illustré : Caméra réseau AXIS P1343 et caisson d'extérieur AXIS T9E20

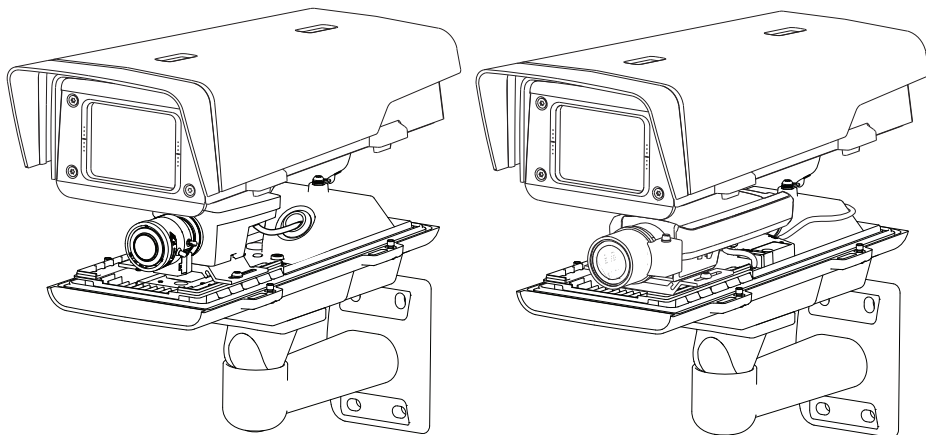
5. Installez le couvercle du câble et serrez-en les vis.
6. Connectez la caméra au réseau. En fonction du boîtier, branchez le câble réseau au connecteur réseau de la caméra ou du caisson. Reportez-vous aux illustrations de la page 19 et page 20.
7. Le cas échéant, vérifiez si les voyants d'état indiquent les conditions correctes. Pour plus d'informations, consultez le tableau à la page 22. Notez que le voyant d'état peut être configuré pour être éteint au cours du fonctionnement normal.



Exemple illustré : caisson d'extérieur AXIS T9E20

8. Desserrez la vis de réglage du support afin d'orienter la caméra dans la direction voulue et effectuez la mise au point de la caméra conformément aux instructions décrites dans le guide d'installation fourni avec la caméra.
9. Ouvrez le couvercle supérieur et attachez le fil de sécurité à la patte sur le couvercle inférieur.

10. Installez le couvercle supérieur. Assurez-vous de serrer les vis opposées en diagonale du couvercle inférieur de quelques tours jusqu'à ce qu'elles soient bien serrées. Cela permettra de garantir que le joint du couvercle inférieur est comprimé de façon régulière. Ne tentez pas de serrer complètement les vis dès votre première tentative.



Exemples illustrés : Caméra réseau AXIS M1114 et caisson de protection AXIS T9E05
Caméra réseau AXIS P1343 et caisson d'extérieur AXIS T9E20

11. Desserrez les vis de réglage du pare-soleil pour pouvoir l'ajuster et l'orienter vers la position souhaitée.

Plus d'informations

Consultez le guide d'installation fourni avec la caméra pour plus d'informations sur l'attribution d'une adresse IP, la configuration d'un mot de passe et l'accès au flux de données vidéo. Le guide d'installation est également disponible sur le site Web d'Axis à l'adresse www.axis.com.

Commutateur de report de démarrage à froid

AXIS T9E20 est doté d'un contrôle de température froide, qui est activé en définissant le commutateur de report de démarrage à froid sur I (ON). Lorsqu'elle est activée, cette fonction contrôle le moment du redémarrage de la caméra après une coupure ou celui de la baisse des températures en dessous de 0 °C ; la caméra est d'abord chauffée à environ 0 °C avant de démarrer. Cela évite d'endommager les modèles de caméra comportant des pièces amovibles.

Remarque : Le commutateur doit être désactivé dans le cas des caméras sans aucune pièce amovible puisque cette fonction n'est pas requise. Reportez-vous au tableau de la page 18.

Voyant d'état des éléments électroniques du boîtier (ventilateur/radiateur)

Voyant	Couleur	Indication
Alimentation	Vert	OK
	Vert clignotant	Clignote une fois : erreur de radiateur. Clignote deux fois : erreur de ventilateur. Clignote trois fois : erreur générale. Remarque : les événements d'alarme seront déclenchés via le port d'entrée de la caméra. Reportez-vous au manuel d'utilisation de la caméra, que vous trouverez sur le CD joint ou sur le site www.axis.com . Vous pouvez également contacter votre revendeur Axis pour plus d'informations sur les pièces de rechange et le dépannage.

Caractéristiques techniques

Fonction/ groupe	Élément	Caractéristiques techniques
	Modèle	AXIS T9E05 Caisson de protection AXIS T9E20 Caisson d'extérieur
Général	Caisson	Boîtier en aluminium, pare-soleil en polycarbonate et cache-câbles. Norme IP66 et NEMA 4X, IK10 boîtier en aluminium résistant aux chocs
	Conditions d'utilisation	AXIS T9E05: -20°C à 55°C * Humidité 15 – 100% (condensation) AXIS T9E20: -40°C à 50°C * Humidité 15 – 100% (condensation) * Les températures de fonctionnement peuvent varier d'une caméra à l'autre, consultez le manuel de l'utilisateur, disponible sur le CD fourni avec la caméra ou sur le site www.axis.com .
	Homologations	AXIS T9E05: IEC 60068-2-6, IEC 60068-2-27 AXIS T9E20: EN 55022 Classe B, EN 61000-3-2, EN 61000-3-3, EN 55024, EN 61000-6-1, EN 61000-6-2, EN 60950-22, IEC 60068-2-6, IEC 60068-2-27, FCC Partie 15, Sous-partie B, Classe B, VCCI, Classe B ITE, C-tick AS/NZS CISPR 22, ICES-003, Classe B, KCC Classe B
	Dimensions (HxLxP)	120 x 161 x 404 mm
	Poids	AXIS T9E05: 2.4 kg AXIS T9E20: 2.5 kg
	Accessoires fournis	VT support mural, pare-soleil, câble Ethernet 5 m avec joint pré-monté, 2x câble Ethernet court (Axis T9E20 seulement), Guide d'utilisation

Sicherheitsvorkehrungen

Bitte lesen Sie zunächst dieses Benutzerhandbuch vollständig durch, bevor Sie mit der Installation Ihres Produkts beginnen. Halten Sie das Benutzerhandbuch bereit, falls Sie darauf zurückgreifen müssen.

VORSICHT!

- Transportieren Sie das Axis-Produkt nur in der Originalverpackung bzw. in einer vergleichbaren Verpackung, damit das Produkt nicht beschädigt wird.
- Lagern Sie das Axis-Produkt in einer trockenen und belüfteten Umgebung.
- Achten Sie darauf, dass das Axis-Produkt keinen Erschütterungen, Stößen oder starkem Druck ausgesetzt ist und montieren Sie die Kamera nicht auf instabilen Halterungen oder auf instabilen und vibrierenden Oberflächen oder Wänden. Dies könnte zu Beschädigungen des Produkts führen.
- Verwenden Sie keine elektrischen Werkzeuge zur Montage des Axis-Produkts, da diese das Produkt beschädigen könnten.
- Verwenden Sie keine chemischen, ätzenden oder Aerosol-Reinigungsmittel. Verwenden Sie zur Reinigung ein feuchtes Tuch.
- Verwenden Sie nur Zubehör und Ersatzteile, die von Axis empfohlen bzw. bereitgestellt wurden.
- Versuchen Sie nicht, das Produkt selbst zu reparieren. Wenden Sie sich bei Service-Angelegenheiten an Axis oder an Ihren Axis-Händler.

WICHTIG!

- Verwenden Sie dieses Axis-Produkt unter Beachtung der geltenden rechtlichen Bestimmungen.

AXIS T92E05/T92E20 Bedienungsanleitung

Dieses Bedienungsanleitung enthält Anweisungen für die Installation des AXIS T92E05 Schutzgehäuses und des AXIS T92E20 Außengehäuses.

Anweisungen zur Installation der Kamera im Netzwerk finden Sie in der Installationsanleitung zu Ihrer Kamera. Weitere Angaben zur Kamera finden Sie im Benutzerhandbuch, das auf der CD, die im Lieferumfang der Kamera enthalten ist, sowie auf unserer Website unter „www.axis.com“ zur Verfügung steht.

Installationsschritte

1. Prüfen Sie, ob alle in der nachfolgenden Liste aufgeführten Komponenten vorhanden sind.
2. Sehen Sie sich die Hardwareübersicht an. Siehe Seite 26.
3. Installieren Sie die Hardware. Siehe Seite 27.

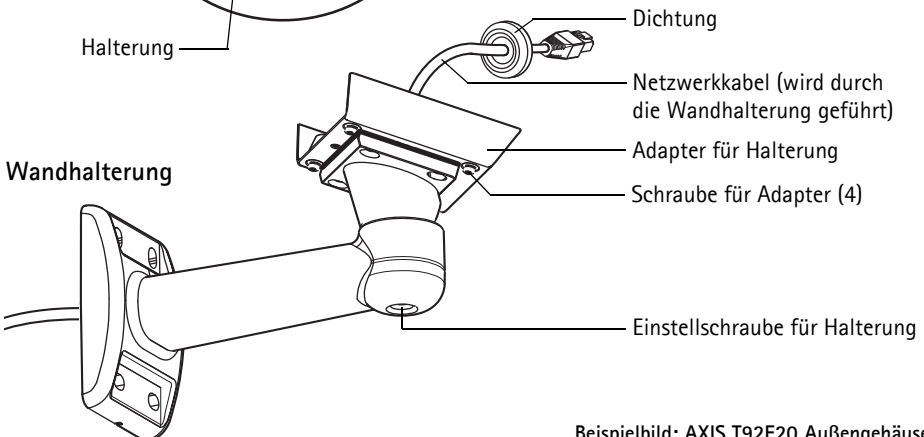
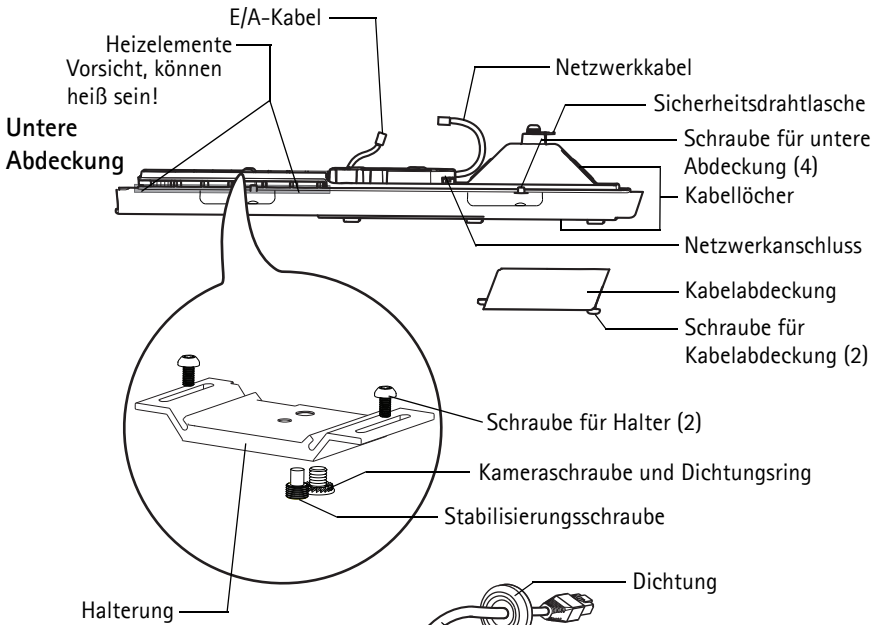
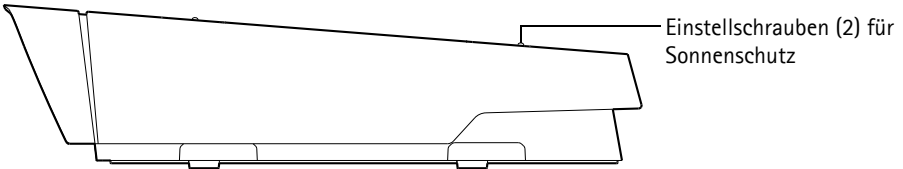
1 Inhalt des Produktpakets

Komponente	Modelle/Varianten/Anmerkungen
Gehäuse	AXIS T92E05/T92E20
Wandhalterung	Wandhalterung mit internem Kabelschacht
Netzwerkkabel	5 Meter langes Netzwerkkabel mit Dichtung für den Außenbereich M20-Kabelverschraubung für IP66 (3x) 2x kurze Ethernet-Kabel (nur AXIS T92E20)
Tools	Torx T20-Schraubendreher Inbusschlüssel
Montagesatz für Halter	Stabilisierungsschraube Kameraschraube und Dichtungsring
Gedruckte Dokumente	AXIS T92E05/T92E20 Bedienungsanleitung (dieses Dokument) Bohrschablone Axis-Garantieerklärung

Optionales Zubehör	Weitere Informationen zur Produktdokumentation sowie zu Stromversorgungszubehör, Installationswerkzeugen und anderer Software finden Sie unter „www.axis.com“.
--------------------	--

2 Hardwareübersicht

Sonnenschutz und obere Abdeckung



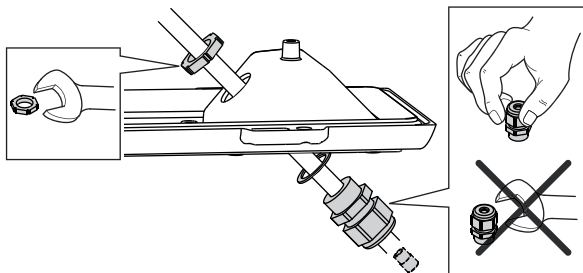
Beispielbild: AXIS T92E20 Außengehäuse

3 Installation der Hardware

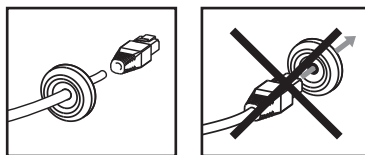
Vorbereiten des Netzkabels

Das mitgelieferte Netzkabel kann auf verschiedene Weise angeschlossen werden. Sie können es entweder in der ursprünglichen Ausführung mit der vormontierten Gummidichtung anschließen

oder die beiliegende M20-Kabelverschraubung, die zur Erzielung der Schutzklasse IP66 erforderlich ist, verwenden. Wenn Sie eine andere Kabelverschraubung verwenden, sickert möglicherweise Wasser ein und beschädigt die Kamera.



Falls ein anderes als das mitgelieferte Kabel verwendet wird, müssen Sie ein abgeschirmtes Netzkabel mit einer Dichtung vorbereiten. Führen Sie das Kabel vorsichtig durch die mitgelieferte Dichtung und bringen Sie einen Netzwerkstecker am Kabel an. Möglicherweise müssen Sie mit dem beiliegenden Schraubendreher ein Loch in die Dichtung stechen.

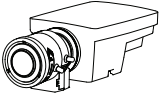
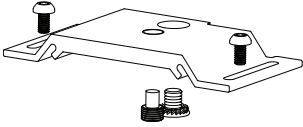
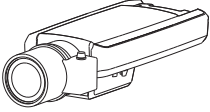
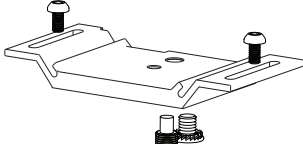
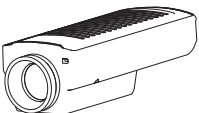
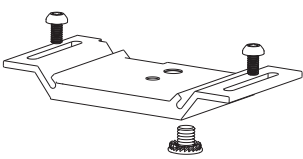


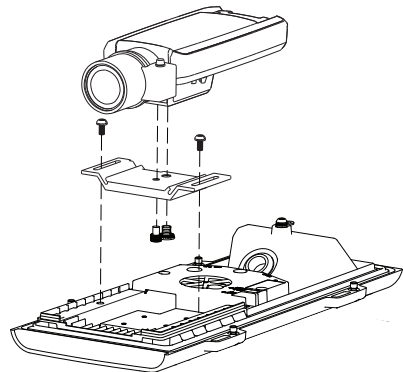
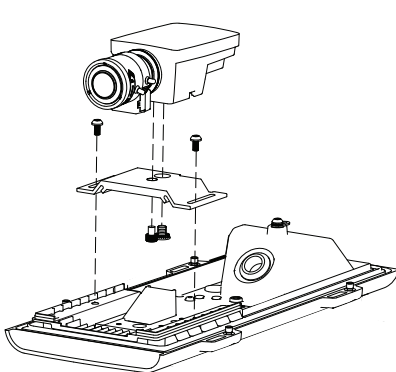
Hinweise:

- Versuchen Sie nicht, den Netzwerkstecker durch die Dichtung zu führen.
- Stechen Sie nicht mit einem Messer oder einem anderen scharfen Gegenstand in die Dichtung.
- Verbinden Sie die Kamera immer über ein für den Außenbereich geeignetes abgeschirmtes Netzkabel mit dem Endpunkt. Stellen Sie sicher, dass der Endpunkt ordnungsgemäß geerdet ist. Die Verwendung eines abgeschirmten Netzkabels und eines geerdeten Endpunkts für die Installation von Axis Kameras wurde sorgfältig getestet und erfüllt die Industriennormen bezüglich Störfestigkeit, z. B. Überspannungsschutz. Wenn Sie andere Installationsmethoden verwenden, erlischt die Garantie und der sichere Betrieb des Geräts ist nicht gewährleistet.

Anbringung der Kamera im Gehäuse

1. Lösen Sie die Schrauben der unteren Abdeckung und nehmen Sie die obere Abdeckung ab.
2. Lösen Sie die Schrauben des Halters und entfernen Sie den Halter.
3. Sichern Sie die Kamera und den Halter mit den Schrauben und dem Dichtungsring, wie in den folgenden Abbildungen und in der Tabelle dargestellt. Ziehen Sie die Stabilisierungsschraube nur leicht an und ziehen Sie die Kameraschraube fest (Drehmoment 2 Nm). Achten Sie darauf, dass Sie die Schrauben nicht überdrehen.

Kameramodell	AXIS T92E05/AXIS T92E20	AXIS T92E20	
	Halterposition und Befestigungsmittel	E/A-Kabel	Kaltstartverzögerung
		Nein	Aus (0)
		Ja	Aus (0)
		Ja	Ein (I)



Beispielbilder: AXIS M1114 Netzwerk-Kamera und AXIS T92E05 Schutzgehäuse
 AXIS P1343 Netzwerk-Kamera und AXIS T92E20 Außengehäuse

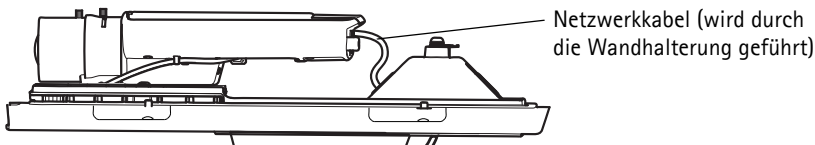
4. Schließen Sie ggf. das im Außengehäuse vormontierte Netzwerk- bzw. E/A-Kabel an die Kamera an, siehe Abbildung auf Seite 30 und Tabelle auf Seite 28.
5. Setzen Sie den Halter auf die untere Abdeckung und richten Sie ihn aus. Halten Sie einen ausreichenden Abstand (etwa 5 bis 10 mm) vom Kameraobjektiv zur Vorderseite des inneren Kunststoffgehäuses ein, sodass die obere Abdeckung passt, ohne das Objektiv zu zerkratzen.
6. Ziehen Sie die Schrauben fest.
7. Schieben Sie ggf. eine SD-Speicherkarte (separat erhältlich) in den SDHC-Speicherkartenschacht. Wenn Sie Bilder lokal in der Netzwerk-Kamera speichern möchten, benötigen Sie eine SD- oder SDHC-Speicherkarte.
8. Schieben Sie, falls nötig, den Kaltstartverzögerungsschalter in die richtige Position. Weitere Informationen hierzu finden Sie in der Tabelle auf Seite 28 und unter *Schalter für Kaltstartverzögerung*, auf Seite 31.

Installation der Wandhalterung

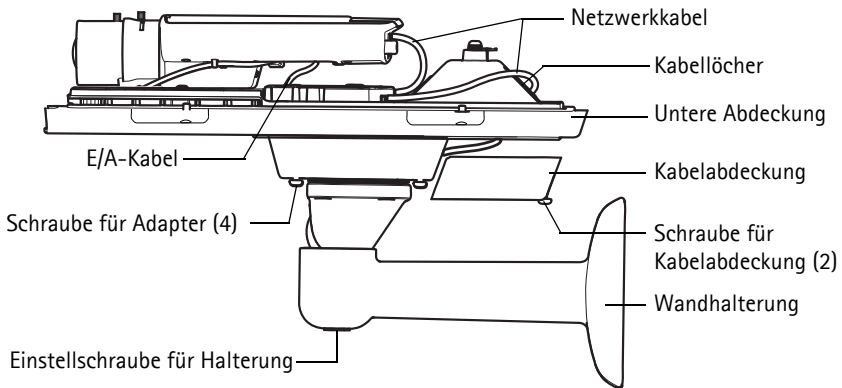
1. Bereiten Sie die Befestigung der Wandhalterung an der Wand oder an einem Mast vor und markieren Sie die Position der Bohrlöcher mithilfe der mitgelieferten Bohrschablone.
2. Führen Sie das Netzkabel durch die Wandhalterung gemäß der Abbildung im Abschnitt *Hardwareübersicht*, auf Seite 26. Sie benötigen noch etwa 30 cm Kabel für den Anschluss an die Kamera.
3. Montieren Sie die Wandhalterung an einer Wand oder einem Mast. Stellen Sie sicher, dass Sie für das Material (z. B. Holz, Metall, Gipskarton, Stein) die geeigneten Schrauben und Dübel verwenden.

Anbringen der Kamera an der Halterung

1. Lösen Sie die Schrauben der Kabelabdeckung und nehmen Sie die Kabelabdeckung von der unteren Abdeckung ab.
2. Montieren Sie die Kamera mit der unteren Abdeckung an der Halterung und ziehen Sie die Schrauben des Halterungsadapters fest.
3. Entfernen Sie die Dichtung aus einem der Bohrlöcher in der unteren Abdeckung, siehe Abbildungen auf Seite 26 und Seite 30.
4. Führen Sie das Kabel durch das Loch und setzen Sie die Kabeldichtung wieder in das Loch ein.

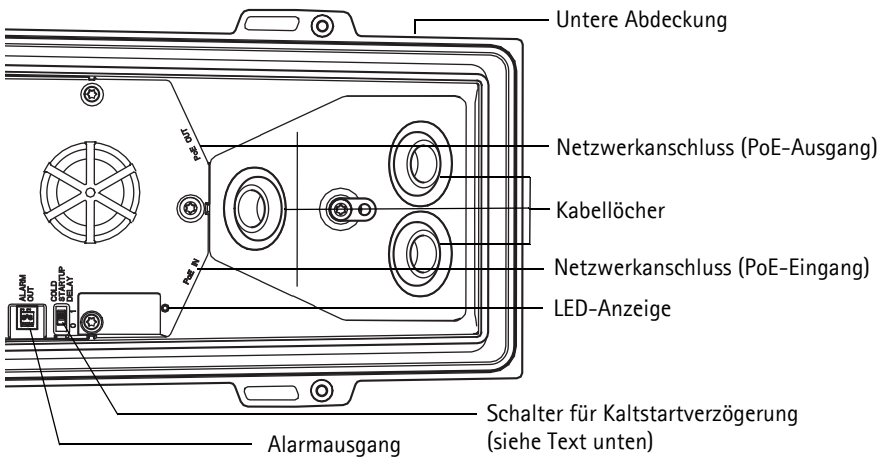


Beispielbild: AXIS P1343 Netzwerk-Kamera und AXIS T92E05 Schutzgehäuse



Beispielbild: AXIS P1343 Netzwerk-Kamera und AXIS T92E20 Außengehäuse

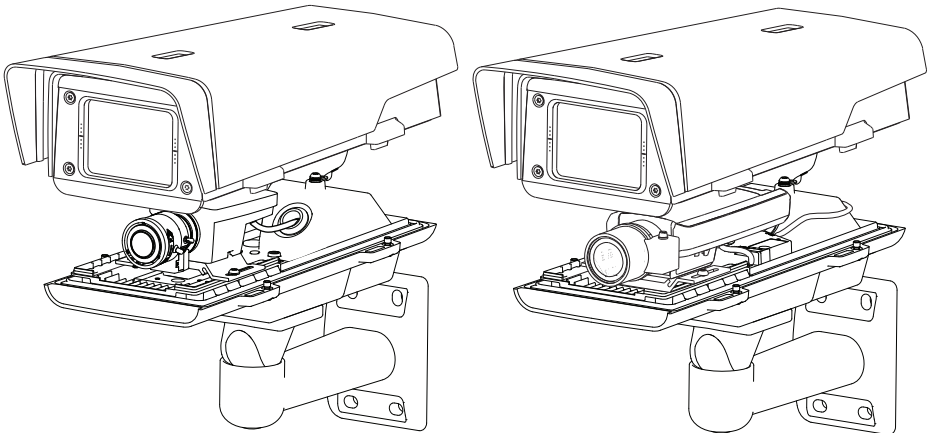
5. Bringen Sie die Kabelabdeckung an und ziehen Sie die Schrauben der Kabelabdeckung fest.
6. Verbinden Sie die Kamera mit dem Netzwerk. Schließen Sie das Netzwerkkabel je nach Gehäusetypp am Netzwerkanschluss der Kamera oder des Gehäuses an, siehe Abbildungen auf Seite 29 und Seite 30.
7. Überprüfen Sie ggf., ob die Status-LEDs die Betriebszustände korrekt angeben. Weitere Informationen hierzu finden Sie in der Tabelle auf Seite 32. Beachten Sie, dass die Status-LED so konfiguriert werden kann, dass sie bei normalem Betrieb nicht leuchtet.



Beispielbild: AXIS T92E20 Außengehäuse

8. Lösen Sie die Einstellschraube der Halterung und richten Sie die Kamera auf das gewünschte Ziel aus. Führen Sie die Fokussierung der Kamera gemäß den Anweisungen in der Installationsanleitung zu Ihrer Kamera durch.

9. Nehmen Sie die obere Abdeckung ab und befestigen Sie den Sicherheitsdraht an der Lasche an der unteren Abdeckung.
10. Bringen Sie die obere Abdeckung an. Ziehen Sie abwechselnd die jeweils diagonal gegenüberliegenden Schrauben der unteren Abdeckung einige Drehungen fest, bis alle Schrauben festgezogen sind. Somit wird sichergestellt, dass die Dichtung der unteren Abdeckung gleichmäßig angepresst wird. Versuchen Sie nicht, die Schrauben sofort vollständig festzuziehen.



Beispielbilder: AXIS M1114 Netzwerk-Kamera und AXIS T92E05 Schutzgehäuse
 AXIS P1343 Netzwerk-Kamera und AXIS T92E20 Außengehäuse

11. Lösen Sie die Einstellschrauben des Sonnenschutzes und bringen Sie den Sonnenschutz in die gewünschte Position.

Weitere Informationen

Im Installationshandbuch zu Ihrer Kamera finden Sie Informationen zum Zuweisen einer IP-Adresse und Festlegen des Kennworts sowie zum Zugriff auf den Videostrom. Das Benutzerhandbuch steht ebenfalls auf der Website von Axis unter „www.axis.com“ zur Verfügung.

Schalter für Kaltstartverzögerung

Das AXIS T92E20 ist mit der Funktion „Arctic Temperature Control“ (Steuerung bei arktischen Temperaturen) ausgestattet, die durch das Einstellen des Kaltstartverzögerungsschalters auf „I (EIN)“ aktiviert wird. Wenn diese Funktion aktiviert ist und die Kamera nach einer Stromunterbrechung bei Temperaturen unter 0 °C neu gestartet werden muss, wird die Kamera zunächst auf etwa 0 °C aufgeheizt, bevor die Initialisierung gestartet wird. Damit wird verhindert, dass Kameramodelle mit beweglichen Teilen beschädigt werden.

Hinweis: Da die Funktion für Kameramodelle ohne bewegliche Teile nicht benötigt wird, sollten Sie sie für diese Modelle deaktivieren, siehe Tabelle auf Seite 28.

Status-LED an der Gehäuseelektronik (Lüfter/Heizung)

LED	Farbe	Bedeutung
Betriebs- anzeige	Grün	OK
	Blinkt grün	Einzelnes Blinken: Probleme mit der Heizung Doppeltes Blinken: Probleme mit dem Lüfter Dreifaches Blinken: Allgemeiner Fehler Hinweis: Alarmereignisse werden über den Eingangsport der Kamera ausgelöst. Weitere Informationen hierzu finden Sie im Benutzerhandbuch, das auf der CD, die im Lieferumfang der Kamera enthalten ist, sowie auf unserer Website unter „www.axis.com“ zur Verfügung steht. Wenden Sie sich an Ihren Axis-Händler, wenn Sie Informationen zu Ersatzteilen oder Hilfe bei der Lösung von Problemen benötigen.

Technische Daten

Funktion/ Gruppe	Komponente	Spezifikation
	Modell	AXIS T92E05 Schutzgehäuse AXIS T92E20 Außengehäuse
Allgemein	Gehäuse	Aluminiumgehäuse, Polycarbonat Sonnenschutzdach und Kabelabdeckung. IP66 und NEMA 4X, IK10 schlagfestes Aluminiumgehäuse
	Betriebsbedingungen	AXIS T92E05: -20°C bis 55°C * Luftfeuchtigkeit 15 bis 100% (kondensierend) AXIS T92E20: -40°C bis 50°C * Luftfeuchtigkeit 15 bis 100% (kondensierend) * Die Betriebstemperaturen können je nach Kameramodell variieren. Informationen hierzu finden Sie im Benutzerhandbuch, das auf der CD, die im Lieferumfang der Kamera enthalten ist, zur Verfügung steht, sowie auf unserer Website unter „www.axis.com“.
	Zulassungen	AXIS T92E05: IEC 60068-2-6, IEC 60068-2-27 AXIS T92E20: EN 55022 Klasse B, EN 61000-3-2, EN 61000-3-3, EN 55024, EN 61000-6-1, EN 61000-6-2, EN 60950-22, IEC 60068-2-6, IEC 60068-2-27, FCC Abschnitt 15, Teil B, Klasse B, VCCI, Klasse B ITE, C-tick AS/NZS CISPR 22, ICES-003, Klasse B, KCC Klasse B
	Abmessung (HxBxT)	120 x 161 x 404 mm
	Gewicht	AXIS T92E05: 2.4 kg AXIS T92E20: 2.5 kg
	Im Lieferumfang- enthaltenes Zubehör	VT Wandhalterung, Sonnenschutz, 5 Meter langes Netzwerkkabel mit Dichtung für den Außenbereich, 2x kurze Ethernet-Kabel (nur AXIS T92E20), Bedienungsanleitung

Precauzioni

Leggere per intero e con attenzione questa Guida per l'utente prima di installare il prodotto. Conservare la Guida per l'utente per ulteriori riferimenti.

ATTENZIONE!

- Quando si trasporta un prodotto Axis, utilizzare l'imballo originale o un imballo equivalente per evitare danni al prodotto.
- Conservare il prodotto Axis in un ambiente asciutto e ventilato.
- Evitare di esporre il prodotto Axis a vibrazioni, urti o pressioni eccessive e non installare la telecamera su staffe instabili, superfici o pareti instabili o vibranti, poiché in tal modo si potrebbe danneggiare il prodotto.
- Per l'installazione del prodotto Axis, utilizzare solo attrezzi manuali, l'utilizzo di utensili elettrici o l'applicazione di una forza eccessiva potrebbero danneggiare il prodotto.
- Non utilizzare sostanze chimiche, agenti caustici o detergenti aerosol. Utilizzare un panno umido per la pulizia.
- Utilizzare solo accessori e parti di ricambio forniti o consigliati da Axis.
- Non tentare di riparare da soli il prodotto, ma contattare Axis o il rivenditore Axis per qualsiasi argomento relativo all'assistenza tecnica.

IMPORTANTE!

- Questo prodotto Axis deve essere utilizzato in conformità alle leggi e alle regolamentazioni locali.

Guida per l'utente di AXIS T92E05/T92E20

Questa Guida per l'utente fornisce le istruzioni per installare l'Alloggiamento di protezione AXIS T92E05 e l'Alloggiamento per esterni AXIS T92E20.

Per installare la telecamera nella rete, vedere la Guida all'installazione fornita con la telecamera. Per tutte le altre informazioni relative all'uso della telecamera, consultare la Guida per l'utente, disponibile sul CD fornito con la telecamera o sul sito www.axis.com.

Procedura di installazione

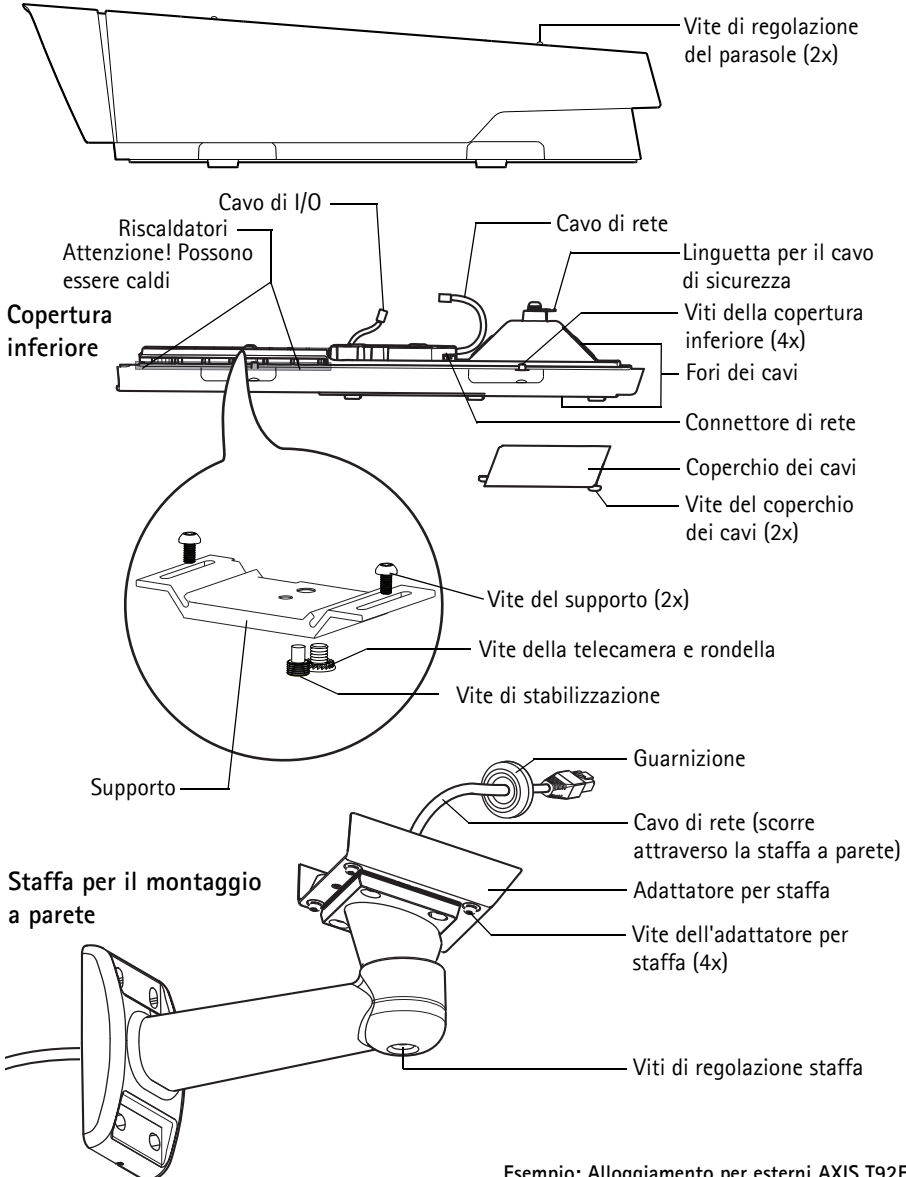
1. Controllare il contenuto della confezione con l'elenco che segue.
2. Panoramica dell'hardware. Vedere pagina 36.
3. Installazione dell'hardware. Vedere pagina 37.

1 Contenuto della confezione

Elemento	Modelli/varianti/note
Alloggiamento	AXIS T92E05/T92E20
Staffa per il montaggio a parete	Staffa per il montaggio a muro con canalina interna per cavi
Cavo di rete	Cavo di rete per esterni 5 m con guarnizione Pressacavi M20 per IP66 (3x) Due cavi di rete corti (solo per AXIS T92E20)
Strumenti	Cacciavite Torx T20 Chiave Allen
Kit di montaggio del supporto	Vite di stabilizzazione Vite della telecamera e rondella
Materiali stampati	Guida per l'utente di AXIS T92E05/T92E20 (questo documento) Maschera per la foratura Documento di garanzia Axis
Accessori opzionali	Per informazioni sugli accessori per l'alimentazione, la documentazione del prodotto, gli attrezzi per l'installazione e altro software, visitare il sito web www.axis.com

2 Panoramica dell'hardware

Parasole e copertura superiore



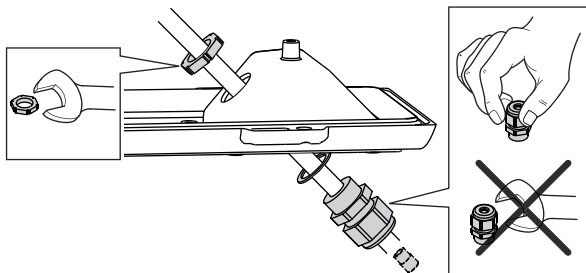
Esempio: Alloggiamento per esterni AXIS T92E20

3 Installazione dell'hardware

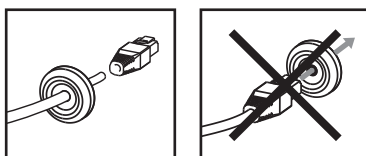
Preparazione del cavo di rete

Il cavo di rete fornito può essere connesso in svariati modi. La prima opzione consiste nel montare il cavo così com'è, con la guarnizione in gomma preinstallata.

La seconda opzione consiste nell'usare il pressacavo in plastica M20 fornito, che deve essere utilizzato per ottenere una protezione di classe IP66. L'utilizzo di qualsiasi altro pressacavo può causare infiltrazioni d'acqua che possono danneggiare la telecamera.



Se si utilizza un cavo diverso da quello fornito, è necessario un cavo di rete schermato e una guarnizione. Spingere delicatamente il cavo nella guarnizione fornita e fissarlo al connettore di rete. Può talvolta essere necessario forare la guarnizione con il cacciavite fornito.

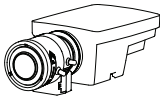
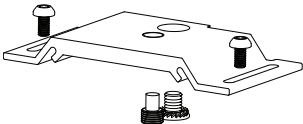
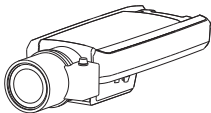
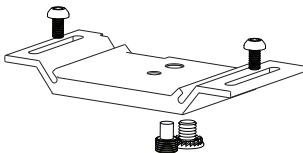
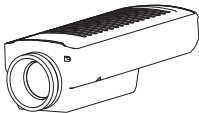
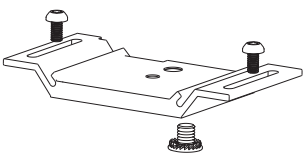


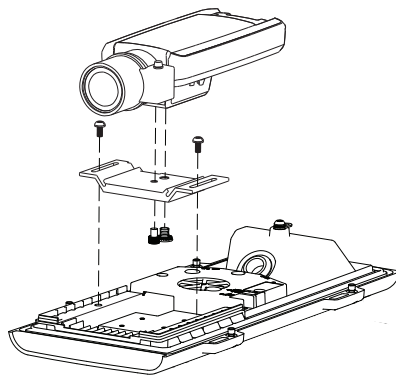
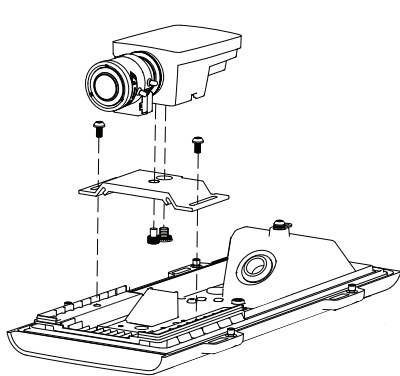
Note:

- Non spingere a forza il connettore di rete nella guarnizione.
- Non forare la guarnizione con un coltello o un altro oggetto appuntito.
- Usare sempre un cavo di rete schermato (STP) per ambienti esterni fra la telecamera e il punto terminale e assicurarsi che il punto terminale sia correttamente connesso a terra. Le installazioni delle telecamere Axis con un cavo di rete schermato (STP) e un punto terminale correttamente connesso a terra sono state collaudate in modo da soddisfare i livelli standard industriali, ad esempio per la protezione dai picchi di tensione. Qualsiasi altro metodo di installazione rende nulla la garanzia ed espone a rischi l'unità.

Installare la telecamera nell'alloggiamento

1. Allentare le viti della copertura inferiore e rimuovere la copertura superiore.
2. Allentare le viti del supporto e rimuoverlo.
3. Fissare la telecamera e il supporto con le viti e le rondelle, come mostrato nelle illustrazioni e nella tabella che seguono. Serrare leggermente la vite stabilizzatrice e serrare la vite della telecamera a 2 Nm. Fare attenzione a non serrare eccessivamente le viti.

Modello di telecamera	AXIS T92E05/AXIS T92E20	AXIS T92E20	
	Posizione del supporto e dei fissaggi	Cavo di I/O	Interruttore di ritardo per l'avvio a freddo
		No	Off (0)
		Si	Off (0)
		Si	On (I)



Immagini: Telecamera di rete AXIS M1114 e alloggiamento di protezione AXIS T92E05
 Telecamera di rete AXIS P1343 e alloggiamento per esterni AXIS T92E20

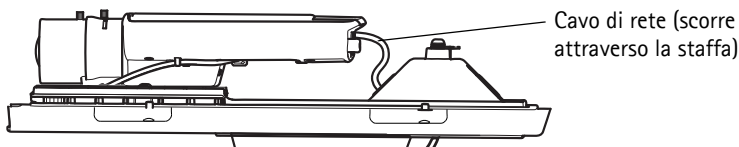
4. Se applicabile, connettere alla telecamera il cavo di rete e il cavo di I/O, preinstallati nell'alloggiamento per esterni, vedere l'illustrazione a pagina 40 e la tabella a pagina 38.
5. Montare il supporto sulla copertura inferiore e regolarne la posizione. Lasciare una distanza sufficiente, circa 5–10 mm, tra l'obiettivo della telecamera e l'estremità anteriore dell'alloggiamento interno in plastica, in modo che la copertura superiore possa essere montata senza graffiare l'obiettivo.
6. Serrare le viti.
7. Inserire facoltativamente una scheda di memoria SD (non inclusa) nell'alloggiamento SDHC (Secure Digital High Capacity). Per memorizzare localmente le immagini riprese dalla telecamera, è necessaria una scheda SD con capacità standard o elevata.
8. Se applicabile, impostare nella posizione corretta l'interruttore di ritardo per l'avvio a freddo, vedere la tabella a pagina 38 e *Interruttore di ritardo per l'avvio a freddo*, a pagina 41.

Installare la staffa di montaggio a parete

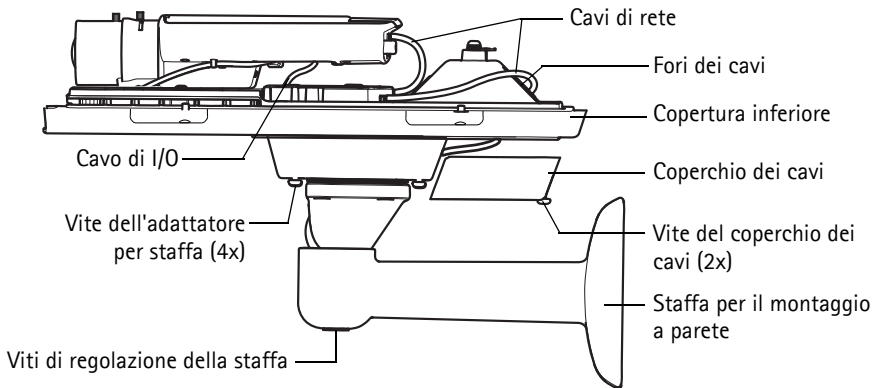
1. Utilizzare la maschera di foratura fornita per preparare una parete o un'asta per l'installazione della staffa a parete.
2. Inserire il cavo di rete attraverso la staffa per il montaggio a parete, come mostrato nell'illustrazione in *Panoramica dell'hardware*, a pagina 36. Lasciare circa 30 cm di cavo per collegare la telecamera.
3. Installare la staffa a parete su una parete o un'asta e assicurarsi che le viti e i connettori siano appropriati per il materiale (ad esempio legno, metallo, cartongesso, pietra).

Installare la telecamera sulla staffa

1. Allentare le viti della copertura del cavo inferiore e rimuovere la copertura del cavo dalla copertura inferiore.
2. Installare la telecamera con la copertura inferiore sulla staffa, quindi serrare le viti di regolazione della staffa.
3. Rimuovere la guarnizione da uno dei fori della copertura inferiore, vedere le illustrazioni a pagina 36 e a pagina 40.
4. Far passare il cavo attraverso il foro e applicare la guarnizione del cavo al foro.

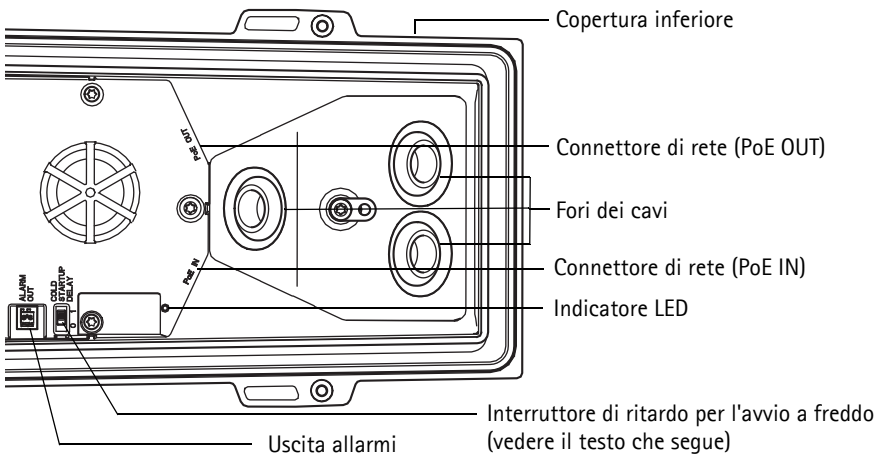


Esempio: Telecamera di rete AXIS P1343 e alloggiamento di protezione AXIS T92E05



Esempio: Telecamera di rete AXIS P1343 e alloggiamento per esterni AXIS T92E20

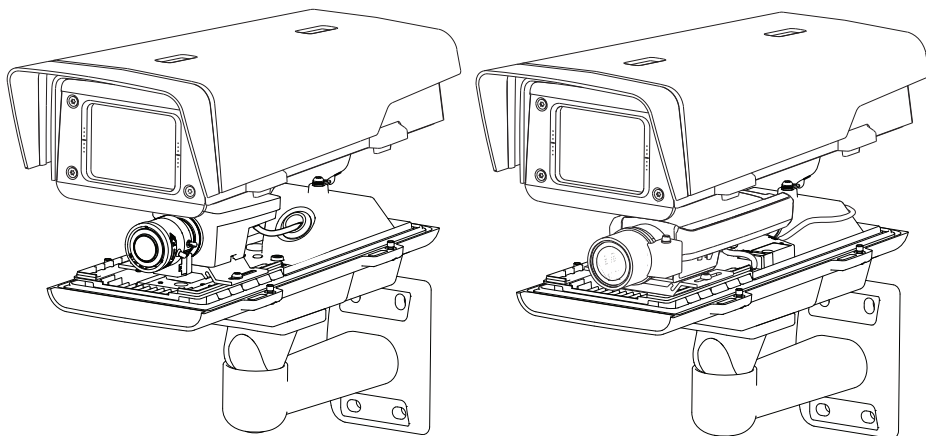
5. Installare il coperchio dei cavi e serrare le viti del coperchio dei cavi.
6. Collegare la telecamera alla rete. A seconda del tipo di alloggiamento, collegare il cavo di rete al connettore di rete della telecamera o dell'alloggiamento, vedere le illustrazioni a pagina 39 e a pagina 40.
7. Verificare che i LED di stato indichino le condizioni di funzionamento corrette. Per ulteriori dettagli, vedere la tabella a pagina 42. Si noti che è possibile configurare il LED di stato perché rimanga spento in condizioni d'utilizzo normali.



Esempio: Alloggiamento per esterni AXIS T92E20

8. Allentare la vite di regolazione della staffa per rivolgere la telecamera verso il punto desiderato e metterla a fuoco secondo le istruzioni fornite nella Guida all'installazione fornita con la telecamera.

9. Prendere la copertura superiore e fissare il cavo di sicurezza alla linguetta sulla copertura inferiore.
10. Montare la copertura superiore. Assicurarsi di serrare le viti del coperchio pochi giri per volta a coppie diagonalmente opposte, fino a che non sono tutte serrate. Questo aiuta a garantire che la guarnizione del coperchio inferiore sia compressa in modo uniforme. Non tentare di serrare subito completamente le viti.



Esempio: Telecamera di rete AXIS M1114 e alloggiamento di protezione AXIS T92E05
Telecamera di rete AXIS P1343 e alloggiamento per esterni AXIS T92E20

11. Allentare le viti di regolazione del parasole e regolarlo nella posizione desiderata.

Ulteriori informazioni

Vedere la Guida all'installazione fornita con la telecamera per informazioni sul modo per assegnare l'indirizzo IP, impostare la password a accedere al flusso video. La Guida all'installazione è disponibile sul sito web di Axis all'indirizzo www.axis.com.

Interruttore di ritardo per l'avvio a freddo

Il modello AXIS T92E20 è dotato di Arctic Temperature Control, che viene abilitato impostando su I (ON) l'interruttore di ritardo per l'avvio a freddo. Quando è abilitata, questa funzione controlla il riavvio della telecamera dopo una mancanza di corrente, quando le temperature sono inferiori a 0 °C, la telecamera viene prima riscaldata a circa 0 °C prima di essere inizializzata. Questo evita danni specialmente a quei modelli di telecamera che contengono parti in movimento.

Nota: L'interruttore dovrebbe essere disabilitato per le telecamere senza parti in movimento, poiché non richiedono questa funzione, vede la tabella pagina 38.

LED di stato nell'elettronica dell'alloggiamento (ventola/riscaldatore)

LED	Colore	Indicazione
Alimentazione	Verde	OK
	Verde lampeggiante	Lampeggio singolo: Errore riscaldatore Lampeggio doppio: Errore ventola Lampeggio triplo: Errore generale Nota: Gli eventi di allarme vengono attivati attraverso la porta di input della telecamera. Consultare la Guida per l'utente, disponibile sul CD fornito con il prodotto o all'indirizzo www.axis.com . Contattare il rivenditore Axis per informazioni sulle parti di ricambio e per la risoluzione dei problemi.

Specifiche tecniche

Funzione/ gruppo	Elemento	Specifica
	Modello	AXIS T92E05 Alloggiamento di protezione AXIS T92E20 Alloggiamento per esterni
Caratteristiche generali	Involucro	Rivestimento in Alluminio, schermo solare e copri cavo in polycarbonato. Certificazione IP66 e NEMA 4X, chiusura in alluminio anti impatto certificata IK10
	Condizioni operative	AXIS T92E05: -20°C a 55°C * Umidità 15 - 100% (con condensa) AXIS T92E20: -40°C a 50°C * Umidità 15 - 100% (con condensa) * Le temperature di funzionamento possono variare in funzione della telecamera, consultare la Guida per l'utente, disponibile sul CD fornito con la telecamera o sul sito www.axis.com
	Approvazioni	AXIS T92E05: IEC 60068-2-6, IEC 60068-2-27 AXIS T92E20: EN 55022 Classe B, EN 61000-3-2, EN 61000-3-3, EN 55024, EN 61000-6-1, EN 61000-6-2, EN 60950-22, IEC 60068-2-6, IEC 60068-2-27, FCC Parte 15, Sottosezione B, Classe B, VCCI, Classe B ITE, C-tick AS/NZS CISPR 22, ICES-003, Classe B, KCC Classe B
	Dimensioni (AxLxP)	120 x 161 x 404 mm
	Pesot	AXIS T92E05: 2.4 kg AXIS T92E20: 2.5 kg
	Accessori inclusi	Supporto a parete VT, parasole, cavo di rete da 5 m con guarnizione premontata, due cavi di rete corti (solo per AXIS T92E20), Guida per l'utente

Medidas preventivas

Lea atentamente la guía del usuario antes de instalar el producto. Guarde la guía del usuario para futuras consultas.

¡PRECAUCIÓN!

- A la hora de transportar el producto Axis, utilice el embalaje original o uno equivalente para no dañar el producto.
- Guarde el producto Axis en un entorno seco y ventilado.
- Evite exponer el producto Axis a vibraciones, golpes o presiones excesivas y no lo instale en soportes inestables, o en superficies o paredes inestables o con vibraciones, ya que esto podría dañar el producto.
- Utilice solo herramientas manuales a la hora de instalar el producto Axis, ya que el empleo de herramientas eléctricas o de una fuerza excesiva podría dañar el producto.
- No utilice productos químicos, agentes cáusticos ni limpiadores en aerosol. Utilice un paño húmedo para la limpieza.
- Utilice únicamente accesorios y piezas de recambio suministrados o recomendados por Axis.
- No intente reparar el producto por sí mismo, póngase en contacto con Axis o con el distribuidor de Axis para los temas de servicio técnico.

¡IMPORTANTE!

- Este producto Axis debe utilizarse de conformidad con la legislación y normativas locales.

La guía del usuario de AXIS T92E05/T92E20

Esta guía del usuario incluye las instrucciones necesarias para instalar la Carcasa protectora AXIS T92E05 y la Carcasa para exteriores AXIS T92E20.

Para instalar la cámara en la red, consulte la guía de instalación que acompaña a la cámara. Si desea obtener más información acerca de la cámara, consulte el manual del usuario, disponible en el CD que acompaña a la cámara o en www.axis.com.

Pasos para la instalación

1. Verifique el contenido del paquete con la lista que aparece más abajo.
2. Presentación del hardware. Consulte la página 46.
3. Instalación del hardware. Consulte la página 47.

1 Contenido del paquete

Artículo	Modelos/variantes/notas
Carcasa	AXIS T92E05/T92E20
Escuadra de pared	Escuadra de pared con canal de cable interno
Cable de red	Cable de red para exteriores de 5 m con junta Prensaestopas de cable M20 para IP66 (3) 2 latiguillos de cable Ethernet (sólo en la AXIS T92E20)
Herramientas	Destornillador Torx T20 Llave Allen
Kit de montaje del soporte	Tornillo estabilizador Tornillo de la cámara y arandela
Material impreso	Guía del usuario de AXIS T92E05/T92E20 (este documento) Plantilla para taladrar Documento de garantía de Axis

Accesorios opcionales	Consulte la página www.axis.com para obtener información sobre accesorios para alimentación, documentación de productos, herramientas de instalación y otro software.
-----------------------	---

2 Presentación del hardware

Parasol y cubierta superior

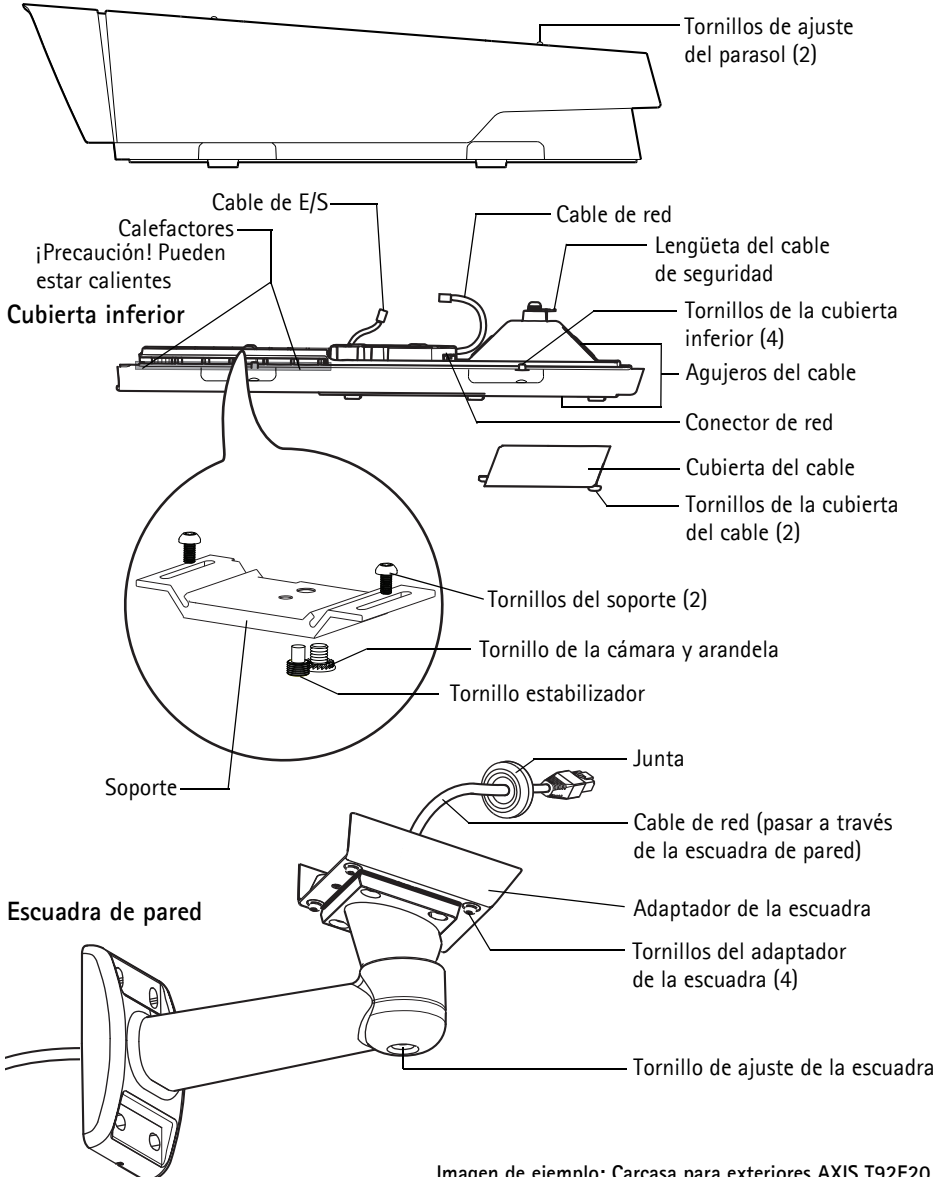


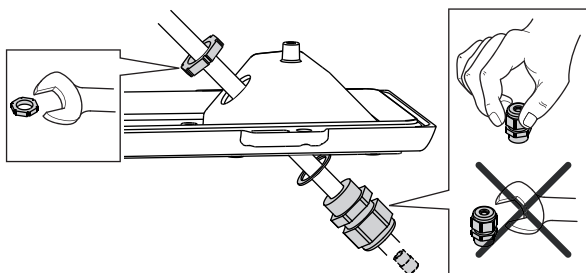
Imagen de ejemplo: Carcasa para exteriores AXIS T92E20

3 Instalación del hardware

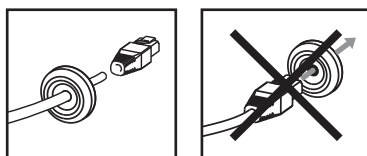
Preparación del cable de red

El cable de red suministrado se puede conectar de varias maneras. La primera opción es utilizar el cable como se entrega, con la junta de goma montada previamente.

La segunda opción es utilizar el prensaestopas de cable M20 de plástico suministrado, necesario para obtener la clasificación IP66. El uso de otros prensaestopas de cable puede provocar que se filtre agua, lo que dañaría la cámara.



Si se utiliza un cable diferente al suministrado, tendrá que preparar un cable de red blindado con una junta. Fuerce suavemente el cable a través de la junta suministrada y acople un conector de red. Puede que sea necesario perforar la junta con el destornillador proporcionado.

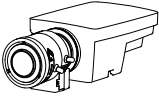
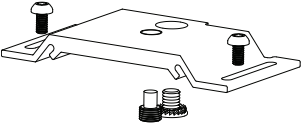
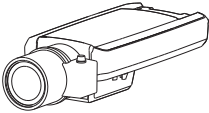
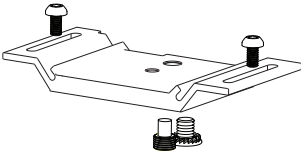
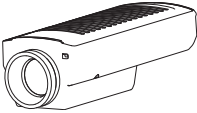
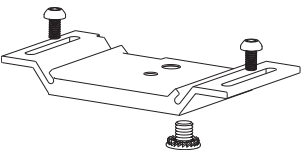


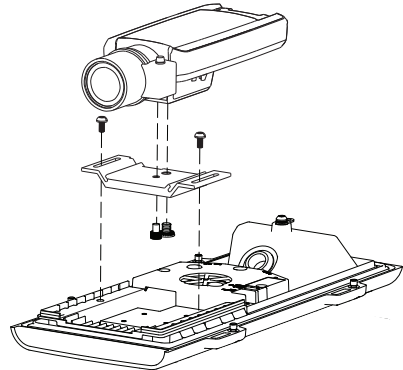
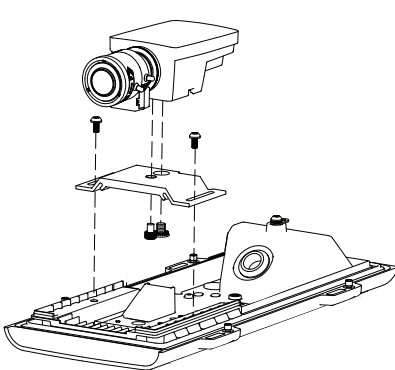
Notas:

- No pase el conector de red a través de la junta.
- No perforo la junta con un cuchillo u otro objeto afilado.
- Utilice siempre un cable de red blindado (STP) para exteriores entre la cámara y el extremo y asegúrese de que el extremo tenga una conexión a tierra adecuada. Se ha comprobado que las instalaciones de cámaras Axis con un cable de red blindado (STP) y un extremo con una conexión a tierra adecuada cumplen los niveles de los estándares de inmunidad del sector como protección frente a sobrecargas. Cualquier otro método de instalación anulará la garantía y no protegerá la unidad frente a los riesgos.

Instalación de la cámara en la carcasa

1. Afloje los tornillos de la cubierta inferior y retírela.
2. Afloje los tornillos del soporte y retírela.
3. Fije la cámara y el soporte con los tornillos y la arandela tal y como se muestra en las ilustraciones y la tabla a continuación. Apriete el tornillo estabilizador con suavidad y el tornillo de la cámara a 2 N·m. Tenga cuidado de no trasroscar los tornillos.

Modelo de cámara:	AXIS T92E05/AXIS T92E20	AXIS T92E20	
	Posición del soporte y tornillos	Cable de E/S	Retraso de inicio en frío
		No	Apagado (0)
		Sí	Apagado (0)
		Sí	Encendido (I)



Imágenes de ejemplo: Cámara de red AXIS M1114 y Carcasa protectora AXIS T92E05
Cámara de red AXIS P1343 y Carcasa para exteriores AXIS T92E20

4. Si procede, conecte el cable de red y el cable de E/S, preinstalados en la carcasa para exteriores, a la cámara, vea la ilustración en la página 50 y la tabla en la página 48.
5. Monte el soporte en la cubierta inferior y ajuste su posición. Deje una distancia suficiente, entre 5 y 10 mm aproximadamente, entre la lente de la cámara y el extremo frontal de la carcasa interior de plástico para que encaje la cubierta superior sin que la ventana arañe la lente.
6. Apriete los tornillos.
7. También existe la opción de insertar una tarjeta de memoria SD (no incluida) en la ranura para tarjeta SDHC (Secure Digital High Capacity). Es necesaria una tarjeta SD estándar o de gran capacidad para guardar las imágenes localmente en la cámara.
8. Si procede, coloque el botón de Retraso de inicio en frío en la posición correcta (consulte la tabla en la página 48 y *Botón Retraso de inicio en frío*, en la página 51).

Instalación de la escuadra de pared

1. Utilice la plantilla para taladrar que se facilita para preparar la pared o el poste donde instalará la escuadra de pared.
2. Pase el cable de red a través de la escuadra de pared fijándose en la ilustración del soporte de pared en *Presentación del hardware*, en la página 46. Deje 30 cm de cable aproximadamente para conectar la cámara.
3. Instale la escuadra de pared en una pared o en un poste y asegúrese de que los tornillos y conectores sean apropiados para el material (p. ej., madera, metal, tablero de yeso, piedra).

Instalación de la cámara en la escuadra

1. Afloje los tornillos de la cubierta del cable y retírela de la cubierta inferior.
2. Instale la cámara con la cubierta inferior apoyada en la escuadra y apriete los tornillos del adaptador de la escuadra.
3. Retire la junta de uno de los orificios de la cubierta inferior, como se ve en la ilustración en la página 46 y en la página 50.
4. Pase el cable por el agujero y coloque la junta del cable en el agujero.

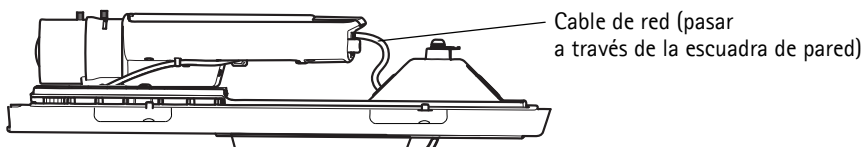


Imagen de ejemplo: Cámara de red AXIS P1343 y Carcasa protectora AXIS T92E05

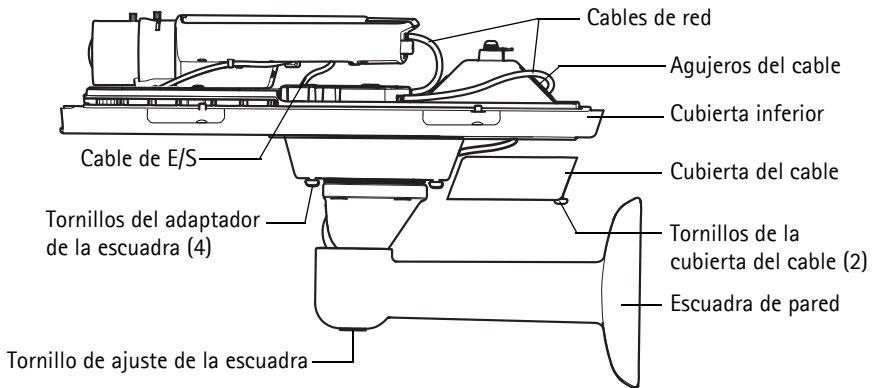


Imagen de ejemplo: Cámara de red AXIS P1343 y Carcasa para exteriores AXIS T92E20

5. Instale la cubierta del cable y apriete los tornillos de la cubierta del cable.
6. Conecte la cámara a la red. En función del tipo de carcasa, conecte el cable de red al conector de red en la cámara o la carcasa (vea las ilustraciones en la página 49 y la página 50).
7. Si procede, compruebe que los LED de estado indican las condiciones correctas. Para obtener información más detallada, consulte la tabla de la página 52. Tenga en cuenta que el LED de estado se puede configurar para que esté apagado durante el funcionamiento normal.

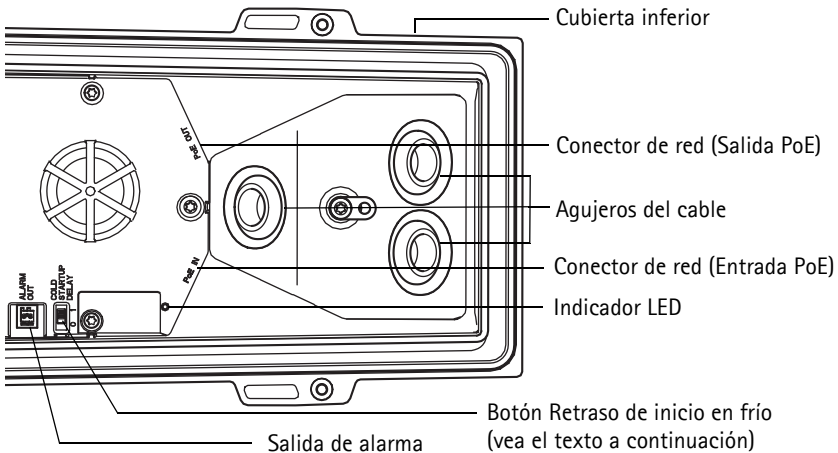
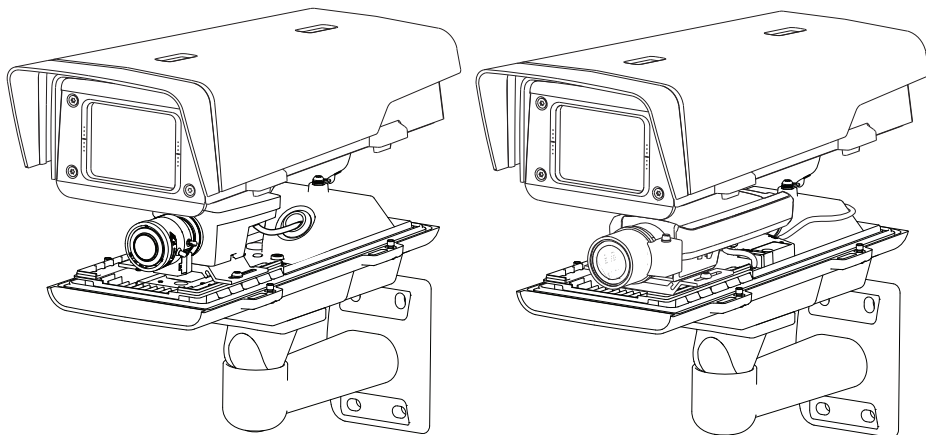


Imagen de ejemplo: Carcasa para exteriores AXIS T92E20

8. Afloje el tornillo de ajuste de la escuadra para dirigir la cámara hacia el punto de interés y enfocarla siguiendo las instrucciones que aparecen en la guía de instalación suministrada junto con la cámara.
9. Coja la cubierta superior y conecte el cable de seguridad a la lengüeta de la cubierta inferior.

10. Instale la cubierta superior. Asegúrese de ajustar los tornillos diagonalmente opuestos de la cubierta inferior dando unas pocas vueltas cada vez hasta que estén todos apretados. Esto contribuye a garantizar que la junta de la cubierta inferior se comprima de manera uniforme. No intente apretar los tornillos por completo en una sola vez.



Imágenes de ejemplo: Cámara de red AXIS M1114 y Carcasa protectora AXIS T92E05
Cámara de red AXIS P1343 y Carcasa para exteriores AXIS T92E20

11. Afloje los tornillos de ajuste del parasol y coloque el parasol en la posición deseada.

Más información

Consulte la guía de instalación que acompaña a la cámara para informarse de cómo asignar una dirección IP, establecer la contraseña y acceder a la transmisión de vídeo. La guía de instalación también está disponible en el sitio Web de Axis en www.axis.com.

Botón Retraso de inicio en frío

AXIS T92E20 cuenta con la función de control de temperatura Arctic, que se activa poniendo en posición I (Encendido) el botón Retraso de inicio en frío. Una vez activada, esta función controla el momento en que se reinicia la cámara después de una interrupción del suministro eléctrico, con temperaturas inferiores a 0 °C; antes de inicializar la cámara, ésta se calienta hasta aproximadamente 0 °C. Esto evita daños en modelos de cámara con piezas móviles.

Nota: El botón debería estar desactivado en cámaras sin piezas móviles, ya que no necesitan esta función, (vea la tabla en la página 48).

LED de estado en los componentes electrónicos de la carcasa (ventilador/calefactor)

LED	Color	Indicación
Encendido	Verde	Funcionamiento correcto
	Verde parpadeante	Parpadeo único: error del calefactor Doble parpadeo: error del ventilador Triple parpadeo: error general Nota: Los eventos de alarma se activarán a través del puerto de entrada de la cámara. Consulte el manual del usuario disponible en el CD suministrado con este producto o en www.axis.com . Contacte con su distribuidor para obtener información sobre piezas de recambio y resolución de problemas.

Especificaciones técnicas

Función/Grupo	Artículo	Epecificación
	Modelo	AXIS T92E05 Carcasa protectora AXIS T92E20 Carcasa para exteriores
Generales	Carcasa	Carcasa de aluminio, parasol y cubierta de cable ambos de polycarbonato. Clasificación IP66 y NEMA 4x. Protección IK10 de aluminio resistente a impacto
	Condiciones de funcionamiento	AXIS T92E05: -20°C a 55°C* Humedad de 15% a 100% (con condensación) AXIS T92E20: -40°C a 50°C* Humedad de 15% a 100% (con condensación) * Las temperaturas de funcionamiento pueden variar dependiendo de la cámara, consulte el manual del usuario, disponible en el CD que acompaña a la cámara o en www.axis.com
	Homologaciones	AXIS T92E05: IEC 60068-2-6, IEC 60068-2-27 AXIS T92E20: EN 55022 Clase B, EN 61000-3-2, EN 61000-3-3, EN 55024, EN 61000-6-1, EN 61000-6-2, EN 60950-22, IEC 60068-2-6, IEC 60068-2-27, FCC Parte 15, Subparte B, Clase B, VCCI, Clase B ITE, C-tick AS/NZS CISPR 22, ICES-003, Clase B, KCC Clase B
	Dimensiones (HxAxP)	120 x 161 x 404 mm
	Peso	AXIS T92E05: 2.4 kg AXIS T92E20: 2.5 kg
	Accesorios incluidos	SopORTE de pared VT, parasol, 5 m de cable Ethernet con junta premontada, 2 latiguillos de cable Ethernet (sólo en la AXIS T92E20), Guía del usuario

User's Guide

AXIS T92E Housing Series

© Axis Communications AB, 2011

Ver.1.2

Printed: August 2011

Part No. 44067